

Service Information and Parts List for the

VIKING Models

RM 666
RMK 667
RM 668
RMK 669
RM 670
RMK 671

RM666, RM668, RM670 5 Tube, 1 Band, Superheterodyne Radio

RMK667, RMK669, RMK671 5 Tube, 1 Band, Superheterodyne Clock Radio

SPECIFICATIONS

Tuning Range 535 - 1650 Kc.
I.F. Frequency 455 Kc.
Undistorted Power Output75 Watts
Maximum Power Output 1.5 Watts
Power Consumption ... RMK667,669,671 .. .26A @ 117V
RM666,668,67022A @ 117V

Power Supply

RMK667,669,671	110-120 Volts AC 60 cy. only
RM666,668,670	110-120 Volts AC 25/60 cy. or 110-120 Volts DC

See Schematic For Alignment Instructions.

CLOCK REMOVAL INSTRUCTIONS

RMK 669

1. Remove two screws at back and two at bottom of cabinet.

RMK 671

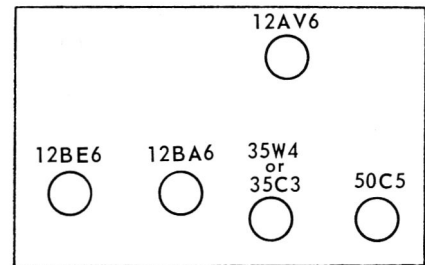
2. Remove four screws holding back.
3. Remove two screws mounting front of cabinet (inside).
4. Remove two screws at bottom of cabinet.

RMK 669, 671

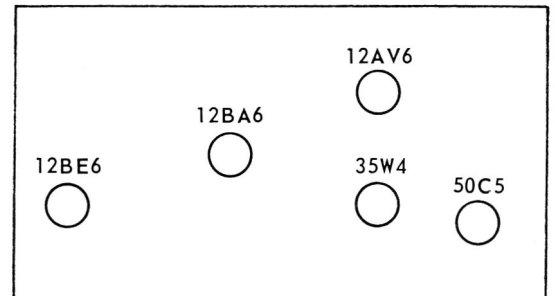
5. Remove cabinet front and chassis assembly.
6. Remove two screws on volume control and one on gang condenser.
7. Unsolder clock and speaker leads.
8. Remove push on type knobs and snap in crystal and carefully remove clock hands.
9. Slide chassis from cabinet front.
10. Remove three speed clips and rubber washers.

NOTE: When re-assembling be sure that all hands are at the '12' position on the clock dial.

TUBE LAYOUT (RM 666, RMK 667)



TUBE LAYOUT (RM 668, 670, RMK 669, 671)



CLOCK REMOVAL INSTRUCTIONS (RMK 667)

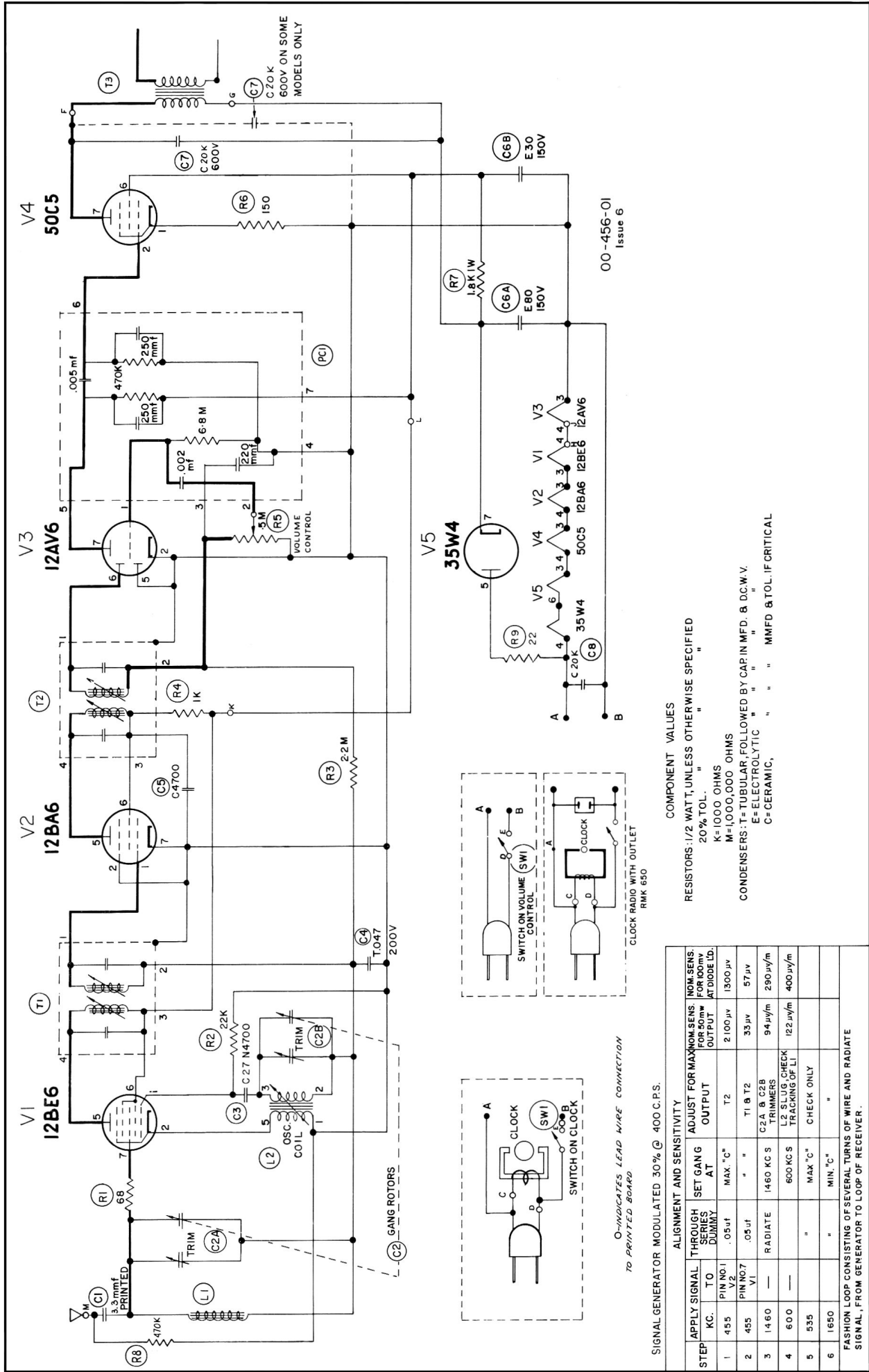
1. Remove two screws at back of cabinet.
2. Remove push on type knobs.
3. Remove two screws on volume control and one on gang condenser.
4. Unsolder clock and speaker leads.
5. Slide chassis from cabinet.
6. Remove snap-in type crystal and carefully remove clock hands.
7. Remove two speed clips and two rubber washers.
8. Remove clock.

NOTE: When re-assembling be sure that all hands are at the '12' on the clock dial.

When writing for Service Information and/or parts, please quote Model and Serial Number as found on the license label. Always order service parts by part number. Part numbers are positive identification which ensures fast service and avoids unnecessary delays. When ordering installation items please quote cabinet finish colour.

All information printed in this leaflet is up to date as of May 1, 1964. Subsequent changes are covered by bulletin.

SCHEMATIC - RM668, 670, RMK669, 671



SIGNAL GENERATOR MODULATED 30% @ 400 C.P.S.

STEP	APPLY SIGNAL KC.	THROUGH PIN NO. 1 TO V2	SERIES DUMMY	SET GANG AT	ADJUST FOR MAXIMUM SENS. OUTPUT	MAX. SENS. OUTPUT AT DIODE LD.	ALIGNMENT AND SENSITIVITY	
							MAX. "C"	MIN. "C"
1	455	—	.05 μf	T2	2100 μv	1300 μv	T1 & T2	
2	455	—	.05 μf	C2A & C2B	35 μv	57 μv	TRIMMERS	
3	1460	—	—	RADIATE	1460 KC S	94 μv/m	C2A & C2B	290 μv/m
4	600	—	—	600 KC S	L2 SLUG, CHECK TRACKING OF LI	122 μv/m	L2 SLUG, CHECK TRACKING OF LI	400 μv/m
5	535	—	—	MAX "C"	CHECK ONLY			
6	1650	—	—	MIN. "C"				

FASHION LOOP CONSISTING OF SEVERAL TURNS OF WIRE AND RADIATE SIGNAL, FROM GENERATOR TO LOOP OF RECEIVER.

COMPONENT VALUES

RESISTORS: 1/2 WATT, UNLESS OTHERWISE SPECIFIED
20% TOL.

K=1000 OHMS

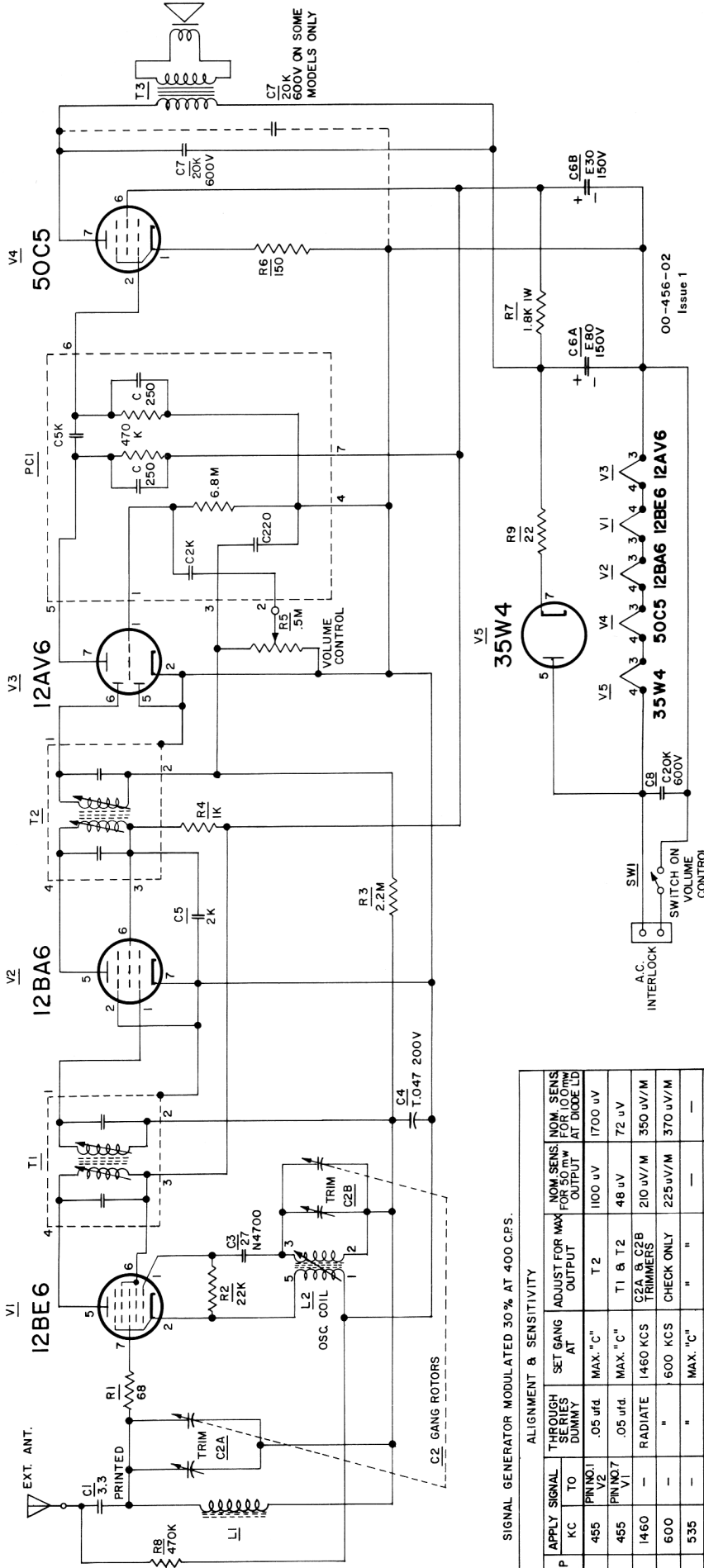
M=1,000,000 OHMS

CONDENSERS: T=TUBULAR, FOLLOWED BY CAP. IN MFD. & DC.W.V.

E=ELECTROLYTIC " " " "

C=CERAMIC, " " " MMFD & TOL. IF CRITICAL

SCHEMATIC - RM666, RMK667



SIGNAL GENERATOR MODULATED 30% AT 400 CPS.

STEP		APPLY SIGNAL	THROUGH SERIES DUMMY	SET GANG AT	ADJUST FOR MAX OUTPUT	NOM. SENS. FOR 50 mV OUTPUT AT DIODE LED	NOM. SENS. FOR 100 mV OUTPUT AT DIODE LED
1	455	FRN NO. 1 V2	.05 ufd.	MAX. "C"	T 2	1100 uV	1700 uV
2	455	FRN NO. 7 V1	.05 ufd.	MAX. "C"	T 1 & T 2	48 uV	72 uV
3	1460	-	RADIATE	1460 KCS	C2A & C2B TRIMMERS	210 uV/M	350 uV/M
4	600	-	-	600 KCS	CHECK ONLY	225 uV/M	370 uV/M
5	535	-	-	MAX. "c"	" "	-	-
6	1650	-	-	MIN. "c"	" "	-	-

FASHION LOOP CONSISTING OF SEVERAL TURNS OF WIRE AND RADIATE SIGNAL, FROM GENERATOR TO LOOP OF RECEIVER.

LEGEND

- RESISTORS**
 HALF WATT UNLESS OTHERWISE NOTED.
 20% TOLERANCE " "
 K=1,000 OHMS
 M=1,000,000 OHMS
- CAPACITORS**
 TUBULAR CAPACITY IN ufd., AND D.C.WV.
 CURVED LINE OUTSIDE FOIL.
 ELECTROLYTIC CAPACITY IN ufd., AND D.C.WV.
 CERAMIC, MICA, OR OTHER TYPES WITH NO OBVIOUS OUTSIDE OR GROUNDED SIDE.
 CAPACITY IN ufd., TOLERANCE IF CRITICAL AND D.C.WV.

SPECIAL CAPACITORS SUCH AS TEMPERATURE COMPENSATING TYPES ARE IDENTIFIED BY A NOTE AT CAPACITOR LOCATION
 eg. OF = OIL FILLED
 S.M. = SILVER MICA
 NP = NON POLARIZED
 TEMP. COEFF. = (NPO, N.P., P.)

00-456-02
Issue 1

SERVICE REPLACEMENT PARTS LIST

FINAL ASSEMBLY (RM 666, RMK 667)

Part No.	Description	
12-80006-01	Plastic Cabinet - White	} RM 666
12-80006-02	Plastic Cabinet - Chocolate	
12-80006-03	Plastic Cabinet - Turquoise	
12-80006-04	Plastic Cabinet - Sand	} RMK 667
12-80006-05	Plastic Cabinet - White	
12-80006-06	Plastic Cabinet - Chocolate	
12-80006-07	Plastic Cabinet - Turquoise	
12-80006-08	Plastic Cabinet - Sand	
19-40017-09	Speaker - 4" PM - 4 ohm VC	
24-80059-01	Audio Output Transformer - 4 ohm VC	
25-22-01	Clock Timer	} RMK 667
25-24-01	Alarm Hand	
25-24-02	Hour Hand	
25-24-04	Minute Hand	
25-24-06	Second Hand	
30-300-01	Clock Face	
53-758-01	Knob Tuning	
53-744-01	Knob - Volume	
53-751-01	Viking Nameplate (RM 666)	

FINAL ASSEMBLY (RM 668, RMK 669)

Part No.	Description	
12-80008-01	Plastic Cabinet - Front - White (RM 668)	
12-80008-02	Plastic Cabinet - Front - White (RMK 669)	
12-80005-05	Plastic Cabinet - Back - White	} RM 668
12-80005-06	Plastic Cabinet - Back - Turquoise	
12-80005-07	Plastic Cabinet - Back - Sand	
12-80005-08	Plastic Cabinet - Back - Charcoal	} RMK 669
12-80005-13	Plastic Cabinet - Back - White	
12-80005-14	Plastic Cabinet - Back - Turquoise	
12-80005-15	Plastic Cabinet - Back - Sand	
12-80005-16	Plastic Cabinet - Back - Charcoal	
19-30006-01	Speaker - 3 1/2" PM - 4 ohm VC	
24-80052-03	Audio Output Transformer - 4 ohm VC	
25-17-04	Clock Timer (RMK 669)	
25-24-01	Alarm Hand	} RMK 669
25-24-03	Hour Hand	
25-24-05	Minute Hand	
25-24-06	Second Hand	
30-305-01	Clock Face	
53-759-01	Knob - Tuning	
53-759-02	Knob - Volume	
53-764-01	Knob - Clock (RMK 669)	

FINAL ASSEMBLY (RM 670, RMK 671)

Part No.	Description	
12-80008-03	Plastic Cabinet - Front - Charcoal (RM 670)	
12-80008-04	Plastic Cabinet - Front - Charcoal (RMK 671)	
19-30006-01	Speaker - 3 1/2" PM - 4 ohm VC	
24-80052-03	Audio Output Transformer - 4 ohm VC	
25-17-04	Clock Timer	} RMK 671
25-24-06	Second Hand	
25-24-07	Alarm Hand	
25-24-08	Hour Hand	
25-24-09	Minute Hand	
30-305-02	Clock Face	
53-759-03	Knob Tuning	
53-759-04	Knob - Volume	
53-764-02	Knob - Clock (RMK 671)	

CHASSIS ASSEMBLY (all models)

Symbol	Part No.	Description
T1, T2	21-434-02	IF Transformer - first and second
L2	21-456-01	BC Oscillator Coil
SW1, R5	41-215-46	Control - Volume (500K) AC Switch (RM 666, RM 668, RM 670)
R5	41-215-47	Control - Volume - 500K (RMK 667, RMK 669, RMK 671)
C6	44-120-01	Electrolytic - 80, 30 ufd 150V
C2	45-43-02	Gang Condenser
PC1	50-7-01	Audet Printed Circuit
L1	51-29-01	Rod Antenna (RMK 669, RMK 671)
L1	51-30-01	Rod Antenna (RM 668, RM 670)
L1	51-39-01	Rod Antenna (RM 666, RMK 667)