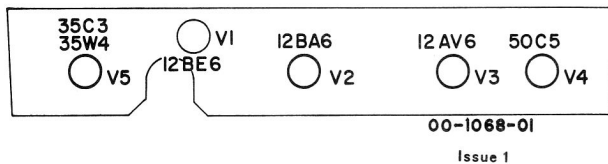


VIKING Service Information for MODEL

RM-542
RMK-543

RM-542 Power Supply. 110-120 Volts A.C., 25-60 Cycles or 110-120 Volts D.C.,
RMK-543 Power Supply. 110-120 Volts A.C., 60 Cycle only.



SPECIFICATIONS

Standard Broadcast Range	540 Kc - 1650 Kc
Intermediate Frequency	455 Kc
Power Consumption	25 Watts
Undistorted Output	750 mw
Maximum Power Output	1.5 Watts

REPLACEMENT PARTS LIST

RM-542, RMK-543

FINAL ASSEMBLY

Part No.	Description	Part No.	Description
12-21090-51	Cabinet - Plastic Back - Sand	53-529-03	Decorative Disc
12-21090-52	Cabinet - Plastic Back - Coral	53-529-04	Decorative Disc
12-21090-53	Cabinet - Plastic Back - Turquoise	53-530-01	Knob - Disc
12-21090-54	Cabinet - Plastic Back - Chocolate	53-530-02	Knob - Disc
13-151-02	Plastic Cabinet - Front (RM-542)	53-531-02	Clock Face
13-152-02	Plastic Cabinet - Front (RMK-543)	53-532-02	Viking Nameplate (RM-542)
19-40014-01	4" PM Speaker - 3.2 ohm VC	53-536-02	Viking Nameplate (RMK-543)
30-209-02	Clock Dial Face (RMK-543)		
25-16-01	Hand - Minute (RMK-543)		
25-16-02	Hand - Hour (RMK-543)		
25-16-03	Hand - Alarm (RMK-543)		
25-16-04	Hand - Sweep Second (RMK-543)		
25-17-01	Clock Timer (RMK-543)		
53-416-01	Knob - Timer (RMK-543)		
53-525-05	Knob - Tuning and Volume (On Sand Case)		
53-525-06	Knob - Tuning and Volume (On Coral Case)		
53-525-07	Knob - Tuning and Volume (On Turquoise Case)		
53-525-08	Knob - Tuning and Volume (On Chocolate Case)		
53-526-02	Trim Plate (RMK-543)		
53-527-02	Trim Plate (RM-542)		
53-528-02	Trim Plate (RM-542)		

CHASSIS ASSEMBLY

Symbol	Part No.	Description
T2,3	21-432-02	IF Transformer 1st and 2nd
T1	21-466-01	BC Oscillator Coil
R5,SW1	41-48-05	Control - Volume with Switch (RM-542)
R5	41-49-05	Control - Volume (RMK-543)
C1	45-53-01	Gang and Drum Assembly
PC1	50-2-01	Audet Printed Board
	51-43-01	Rod Loop Antenna
C7	44-116-01	Electrolytic 40,70,40 ufd x 150V

REMOVAL OF CLOCK

REMOVE:

- (1) Tuning and Volume Control Push-on type Knob.
- (2) Clock Knobs.
- (3) Two screws and clock shaft knob in rear of cabinet.
- (4) Pull front panel away from cabinet back.
- (5) Four screws securing chassis.
- (6) Remove speaker.
- (7) Two machine screws securing clock bezel to front.
- (8) Crystal is removed by squeezing each end, unlocking tabs in slots in cabinet, and drawing out.
- (9) Remove clock hands.
- (10) Remove four speed clips.

NOTE: Should it be necessary to ship the clock separately at any time, make certain that it is properly packed to withstand transportation and so that the clock-hands, time set shaft, etc., are not subject to strain.

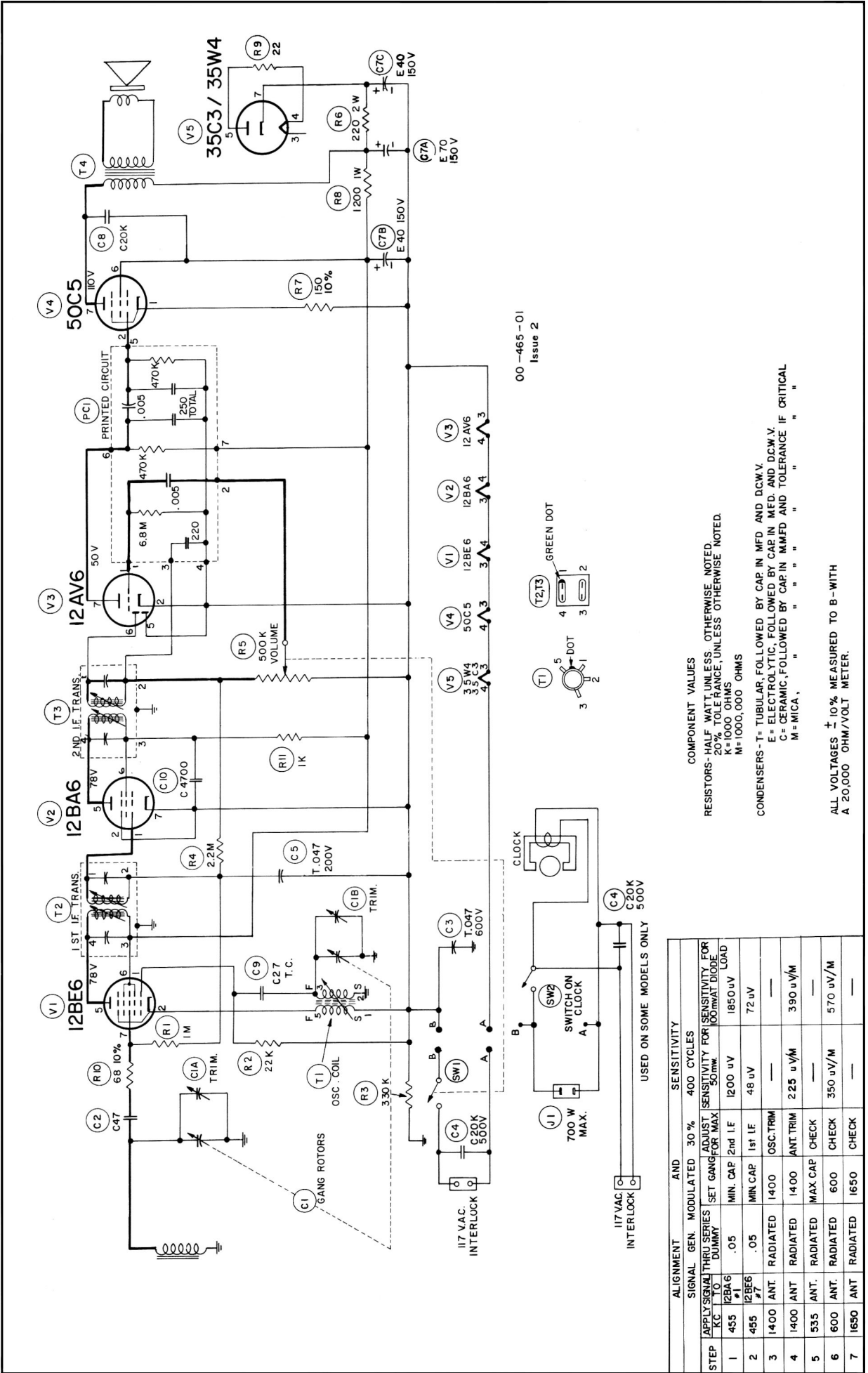
When writing for Service Information or Parts, please quote Model Number, Serial Number and finish of cabinet.

**FOR ALIGNMENT AND SENSITIVITY DATA
SEE SCHEMATIC**

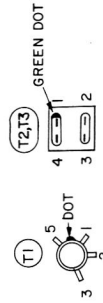
CAUTION FOR SERVICEMEN

Any serviceman working with this receiver when it is out of the cabinet should take special care not to come in contact with any ground connections.

THE T. EATON CO. LIMITED
CANADA



00-465-01
Issue 2



- COMPONENT VALUES
 - RESISTORS - HALF WATT, UNLESS OTHERWISE NOTED.
 - 20% TOLERANCE, UNLESS OTHERWISE NOTED.
 - K = 1000 OHMS
 - M = 1000,000 OHMS
 - CONDENSERS - T = TUBULAR, FOLLOWED BY CAP IN MFD AND DC.W.V.
 - E = ELECTROLYTIC, FOLLOWED BY CAP IN MFD AND DC.W.V.
 - C = CERAMIC, FOLLOWED BY CAP IN M/M.F.D AND TOLERANCE IF CRITICAL
 - M = MICA, "
- ALL VOLTAGES ± 10% MEASURED TO B - WITH
A 20,000 OHM/VOLT METER.

USED ON SOME MODELS ONLY

ALIGNMENT		AND		SENSITIVITY		
SIGNAL		GEN. MODULATED		30%		
THRU SERIES		30%		400 CYCLES		
STEP	APPLY SIGNAL TO	ADJUST SET GANG FOR MAX 30mm.	SENSITIVITY FOR 100μV AT DIODE LOAD	ADJUST SET GANG FOR MAX 30mm.	SENSITIVITY FOR 100μV AT DIODE LOAD	
1	455	12BA6 #1	.05	MIN. CAP 2nd I.F.	1200 uV	1850 uV
2	455	12BE6 #1	.05	MIN. CAP 1st I.F.	48 uV	72 uV
3	1400	ANT.	RADIATED	OSC. TRIM	---	---
4	1400	ANT.	RADIATED	ANT. TRIM	2.25 uV/M	390 uV/M
5	535	ANT.	RADIATED	MAX. CAP CHECK	---	---
6	600	ANT.	RADIATED	600	CHECK	350 uV/M
7	1650	ANT.	RADIATED	1650	CHECK	570 uV/M