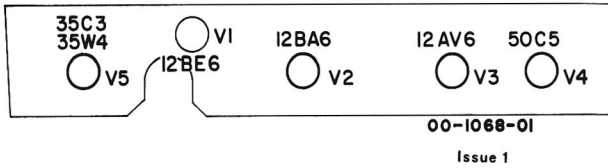


VIKING Service Information for MODEL

RM-515
RMK-516

RM-515 Power Supply. 110-120 Volts A.C., 25-60 Cycles or 110-120 Volts D.C.,

RMK-516 Power Supply. 110-120 Volts A.C., 60 Cycle only.



SPECIFICATIONS

| | |
|--------------------------------|------------------|
| Standard Broadcast Range | 540 Kc - 1650 Kc |
| Intermediate Frequency | 455 Kc |
| Power Consumption | 25 Watts |
| Undistorted Output | 750 mw |
| Maximum Power Output | 1.5 Watts |

REPLACEMENT PARTS LIST

RM-515, RMK-516

FINAL ASSEMBLY

| Symbol | Part No. | Description | Symbol | Part No. | Description |
|--------|-------------|--|--------|-----------|---|
| | 12-21090-51 | Plastic Cabinet Back - Sand (RM-515) | | 53-528-01 | Trim Plate (RM-515) |
| | 12-21090-52 | Plastic Cabinet Back - Coral (RM-515) | | 53-529-01 | Decorative Disk |
| | 12-21090-53 | Plastic Cabinet Back - Turquoise (RM-515) | | 53-529-02 | Decorative Disk |
| | 12-21090-54 | Plastic Cabinet Back - Chocolate (RM-515) | | 53-530-01 | Knob - Disk |
| | 12-21100-51 | Plastic Cabinet Back - Sand (RMK-516) | | 53-530-02 | Knob - Disk |
| | 12-21100-52 | Plastic Cabinet Back - Coral (RMK-516) | | 53-531-01 | Clock Bezel (RMK-516) |
| | 12-21100-53 | Plastic Cabinet Back - Turquoise (RMK-516) | | 53-532-01 | Viking Name Plate (RM-515) |
| | 12-21100-54 | Plastic Cabinet Back - Chocolate (RMK-516) | | 53-536-01 | Viking Name Plate (RMK-516) |
| | 13-151-01 | Plastic Cabinet - Front - White (RM-515) | | | |
| | 13-152-01 | Plastic Cabinet - Front - White (RMK-516) | | | |
| | 19-40014-01 | Speaker 4" PM 3.2 ohm VC | | | |
| T4 | 24-80046-02 | Audio Output Transformer | | | |
| | 30-209-01 | Clock Dial Face (RMK-516) | Symbol | Part No. | Description |
| | 25-17-01 | Clock Timer | T2,T3 | 21-432-02 | IF Transformer 1st. and 2nd. |
| | 25-16-01 | Hand - Minute (RMK-516) | T1 | 21-466-01 | BC Oscillator Coil, Grey Dot |
| | 25-16-02 | Hand - Hour (RMK-516) | R5,SW1 | 41-48-05 | Control - Volume with AC Switch (RM-515) |
| | 25-16-03 | Hand - Alarm (RMK-516) | R5 | 41-49-05 | Control - Volume (RMK-516) |
| | 25-16-04 | Hand - Sweep Second (RMK-516) | C1 | 45-53-01 | Gang and Drum Assembly |
| | 53-416-01 | Knob - Timer (RMK-516) | TC1 | 50-2-01 | Audet Printed Circuit |
| | 53-525-01 | Knob - Tuning and Volume | | 51-39-01 | Rod Loop Antenna |
| | 53-526-01 | Trim Plate (RMK-516) | C7 | 44-116-01 | Electrolytic 40,70,40 ufd. x 150V |
| | 53-527-01 | Trim Plate (RM-515) | | 34-203-01 | Line Cord + Interlock Assembly (515 only) |

CHASSIS ASSEMBLY

REMOVAL OF CLOCK

REMOVE:

- (1) Tuning and Volume Control Push-on type Knob.
- (2) Clock Knobs.
- (3) Two screws and clock shaft knob in rear of cabinet.
- (4) Pull front panel away from cabinet back.
- (5) Four screws securing chassis.
- (6) Remove speaker.
- (7) Two machine screws securing clock bezel to front.
- (8) Crystal is removed by squeezing each end, unlocking tabs in slots in cabinet, and drawing out.
- (9) Remove clock hands.
- (10) Remove four speed clips.

NOTE: Should it be necessary to ship the clock separately at any time, make certain that it is properly packed to withstand transportation and so that the clock-hands, time set shaft, etc., are not subject to strain.

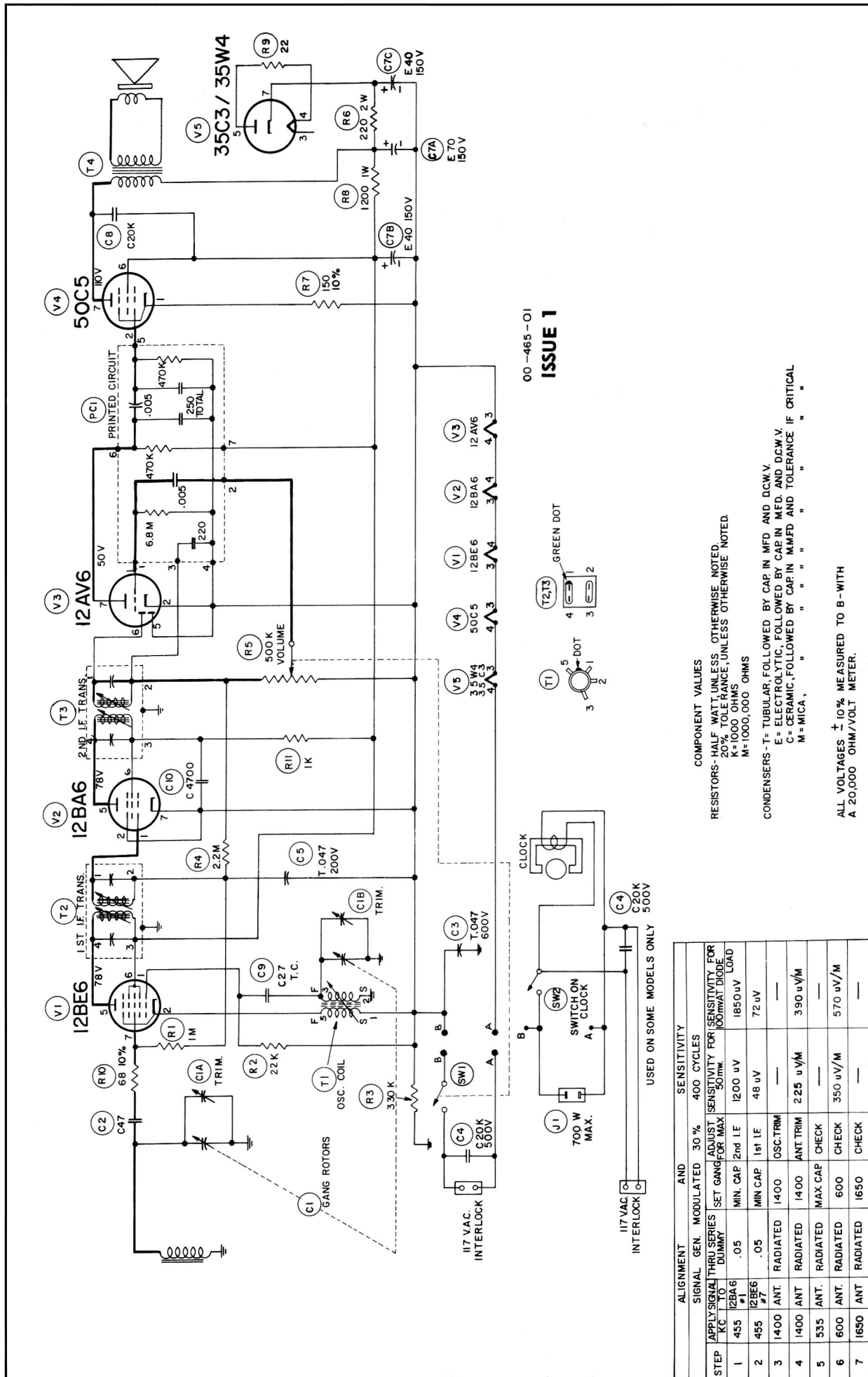
When writing for Service Information or Parts, please quote Model Number, Serial Number and finish of cabinet.

**FOR ALIGNMENT AND SENSITIVITY DATA
SEE SCHEMATIC**

CAUTION FOR SERVICEMEN

Any serviceman working with this receiver when it is out of the cabinet should take special care not to come in contact with any ground connections.

THE T. EATON CO. LIMITED
CANADA

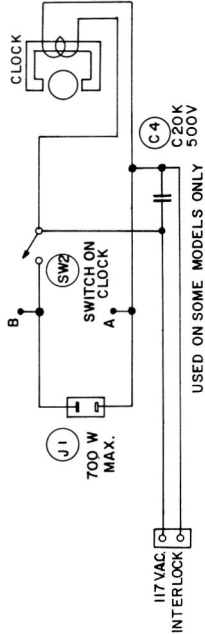
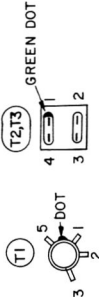


00-465-O1
ISSUE 1

COMPONENT VALUES
RESISTORS - HALF WATT, UNLESS OTHERWISE NOTED.
20% TOLERANCE, UNLESS OTHERWISE NOTED.
K = 1000 OHMS
M = 1000,000 OHMS

CONDENSERS - T = TUBULAR, FOLLOWED BY CAP IN MFD AND DCW.V.
E = ELECTROLYTIC, FOLLOWED BY CAP IN MFD. AND DCW.V.
C = CERAMIC, FOLLOWED BY CAP IN MMFD AND TOLERANCE IF CRITICAL
M = MICA.

ALL VOLTAGES ± 10% MEASURED TO B - WITH
A 20,000 OHM/VOLT METER.



| STEP | ALIGNMENT | | GEN. MODULATED | AND | SENSITIVITY | | | |
|------|-----------|-------------------|----------------|-----------|-------------|-----------|----------|--------------------|
| | SIGNAL | THRU SERIES DUMMY | | | | | | |
| 1 | 455 KC | 12BA6 | 0.5 | MIN. CAP | 2nd I.F. | 1200 uV | 1850 uV | 100HRAT DIODE LOAD |
| 2 | 455 KC | 12BE6 | 0.5 | MIN. CAP | 1st I.F. | 48 uV | 72 uV | |
| 3 | 1400 ANT. | RADIATED | 1400 | OSC. TRIM | | | | |
| 4 | 1400 ANT. | RADIATED | 1400 | ANT. TRIM | | 2.25 uV/M | 390 uV/M | |
| 5 | 535 ANT. | RADIATED | | MAX. CAP | CHECK | | | |
| 6 | 600 ANT. | RADIATED | 600 | CHECK | | 350 uV/M | 570 uV/M | |
| 7 | 1650 ANT. | RADIATED | 1650 | CHECK | | | | |