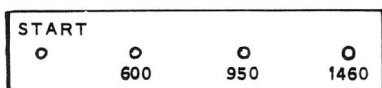
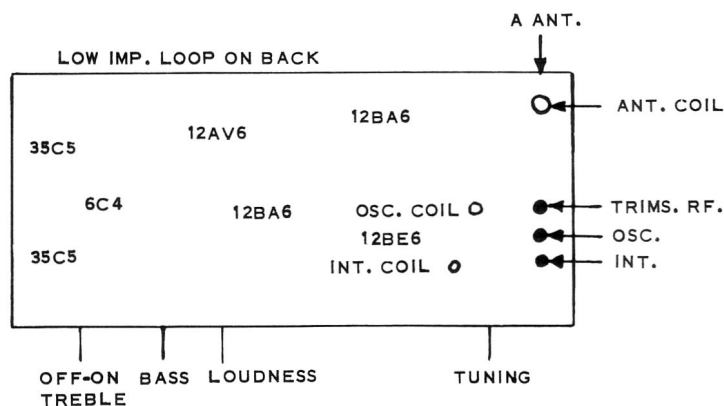


VIKING Service Information for MODEL

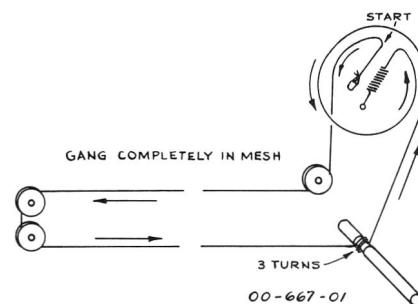
SPECIFICATIONS

Standard Broadcast Range...535 Kc to 1605 Kc min
 Intermediate Frequency455Kc.
 Power Consumption.....42 Volt-Amps.
 Undistorted Output..... 1.5 Watts
 Maximum Power Output.....2.0 Watts



CALIBRATION POINTS ON POINTER SLIDE BRACKET.

SEE SCHEMATIC FOR ALIGNMENT INFORMATION



STRINGING DETAIL

Power supply. 105-125 Volts A.C., 25-60 Cycles or 105-125 Volts D.C.

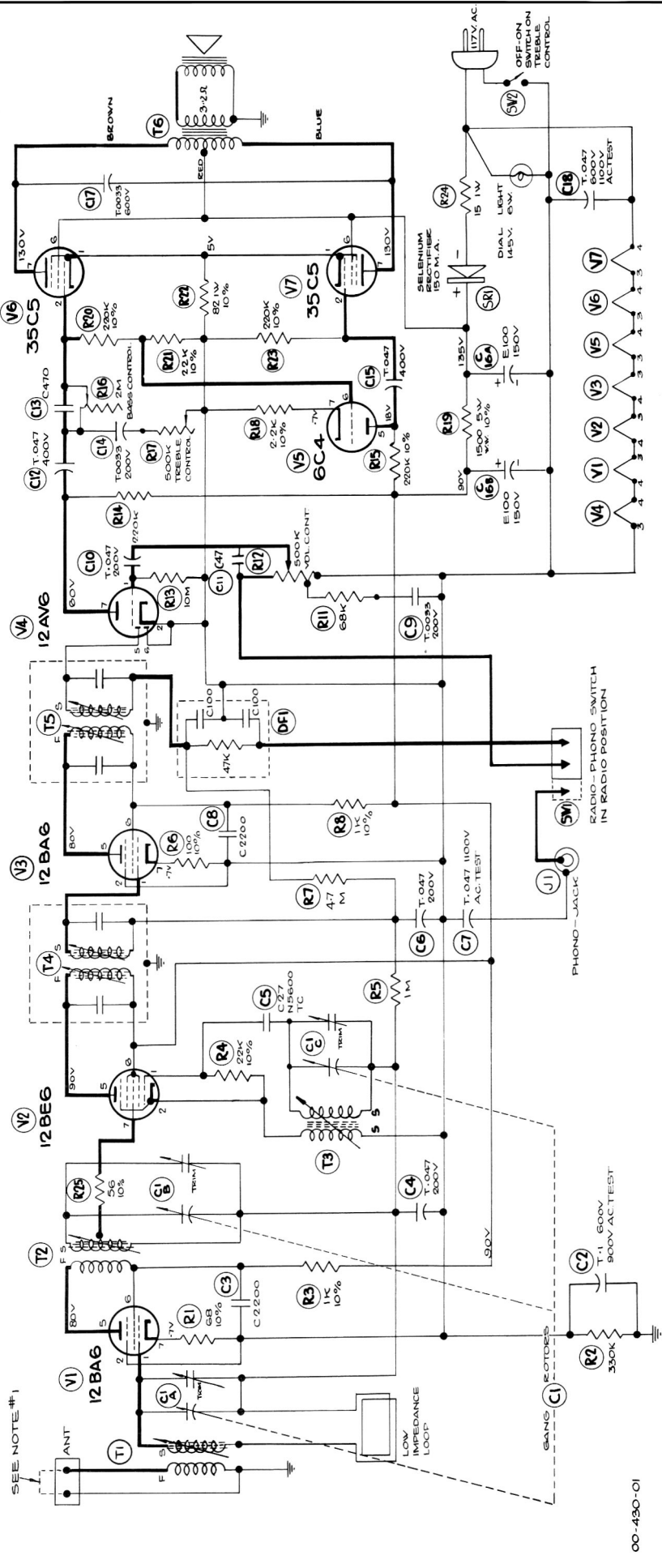
When writing for Service Information and/or parts, please quote model and Serial Number as found on the license label. Always order service parts by part number. Part numbers are positive identification which ensures fast service and avoids unnecessary delays.

CAUTION FOR SERVICEMEN

Any serviceman working with this receiver when it is out of the cabinet should take special care not to come in contact with any ground connections.

SERVICE REPLACEMENT PARTS LIST RM-318 & RM-318R

Part No.	Description	Suggested List Price	NOTE: Colour of knob matches colour of cabinet.
RADIO CHASSIS ASSEMBLY			
21-410-03	BC ANTENNA COIL	\$ 1,40	45-24-01
21-414-01	1ST - 2ND IF TRANSFORMER	\$ 1,50	50-5-01
21-421-01	BC OSCILLATOR COIL	\$ 1,40	51-20-01
21-428-01	BC INTERSTAGE COIL	\$ 1,25	
24-80020-02	OUTPUT TRANSFORMER	\$ 3,30	
27-4-01	145V PILOT LAMP	\$,80	26-2-02
28-9-01	SELENIUM RECTIFIER	\$ 3,00	34-12-02
39-39-01	TRANSLUCENT WINDOW	\$,20	
41-22-03	ON-OFF TREBLE CONTROL	\$ 1,40	
41-24-02	BASS CONTROL	\$ 1,00	
41-96-01	LOUDNESS CONTROL	\$ 1,15	19-70005-01
44-38-02	ELECTROOYTIC	\$ 2,70	30-53-01
	100-100UFD X 150V		53-22-02
			53-22-05
			45-24-01
			50-5-01
			51-20-01
			<u>CHASSIS RIVETED</u>
			SLIDE SWITCH S.P.D.T.
			PHONO SOCKET
			<u>FINAL ASSEMBLY</u>
			14" X 3" PM SPEAKER
			CONTROL PANEL-DIAL SCALE
			TUNING KNOB
			KNOB - 3 USED
			\$ 7,10
			\$,40
			\$ 2,65
			\$,25
			\$,15
			\$ 15,44
			\$ 3,90
			\$,40
			\$,40



SEE NOTE #1

ANT

LOW IMPEDANCE LOOP

GANG - C1

PHONO - JACK

RADIO - PHONO SWITCH IN RADIO POSITION

OFF-ON SWITCH ON TREBLE CONTROL

COMPONENT VALUES:--

RESISTORS: H= HALF WATT, UNLESS OTHERWISE SPECIFIED.
 20% TOLERANCE, UNLESS OTHERWISE SPECIFIED.
 K= 1000 OHMS.
 M= 1000,000 OHMS.
 CONDENSERS: T= TUBULAR, FOLLOWED BY CAPACITY IN MF AND D.C.V.V.
 E= ELECTROLYTIC, FOLLOWED BY CAPACITY IN MF AND D.C.V.V.
 C= CERAMIC, FOLLOWED BY CAPACITY IN MMFD.
 M= MICA, FOLLOWED BY CAPACITY IN MMFD AND TOLERANCE PERCENT.
 TC= TEMPERATURE COMPENSATED.

ALIGNMENT AND SENSITIVITY SIGNAL GENERATOR MODULATED 30% AT 400 CYCLES

STEP	APPLY SIG. AT KC TO	THRU SERIES DUMMY LOAD	SET GANG ADJUST	NOMINAL SENSITIVITY FOR 100mV AT DETECTOR INPUT	MINIMUM INPUT VOL. CONTROLS FULLY CLOCKWISE
1	455	.05		64.00 μ V	4.200 μ V
2	455	.05	2nd IF	200 μ V	150 μ V
3	600	200 μ V	600 KC	2.5 μ V	120 μ V/m
4	1460	200 μ V	1460 KC	2.5 μ V	1.5 μ V
5	950	200 μ V	950 KC	2.5 μ V	2.0 μ V
			CHECK	90 μ V/m	50 μ V/m

ALL VOLTAGES \pm 10% MEASURED TO B - V WITH 20000 OHM/VOLT METER, 117 VOLT, 60 CYCLE LINE AND ZERO SIGNAL INPUT.

REPEAT STEPS 3 AND 4 UNTIL SET IS CORRECTLY ALIGNED

NOTES ON ANTENNA CIRCUIT:--

1. SHORT OUT ANTENNA TERMINALS WHEN SET IS OPERATED ON LOW IMPEDANCE LOOP-ALONE.
2. IF AN EXTERNAL ANTENNA IS USED, REMOVE JUMPER FROM ANTENNA TERMINAL AND CONNECT ANTENNA TO ANTENNA TERMINAL.

SCHEMATIC

DATE: 11/11/64
 DRAWN BY: CHLH
 APPROVED: [Signature]
 CHECKED: [Signature]
 DOMINION ELECTROPHONE INDUSTRIES LIMITED
 KILGILNER
 ISSUE NO. 00-430-01
 PART NO. CANADA
 CHANGE