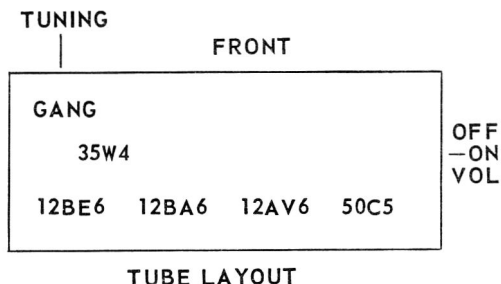


VIKING Service Information for MODEL

SPECIFICATIONS



- Standard Broadcast Range ... 535 Kc to 1605 Kc min
- Intermediate Frequency 455 Kc.
- Power Consumption 28 Volt-Amps.
- Undistorted Output 750 mw
- Maximum Power Output 1.5 Watts

Power supply. 105-125 Volts A.C., 25-60 Cycles or 105-125 Volts D.C.

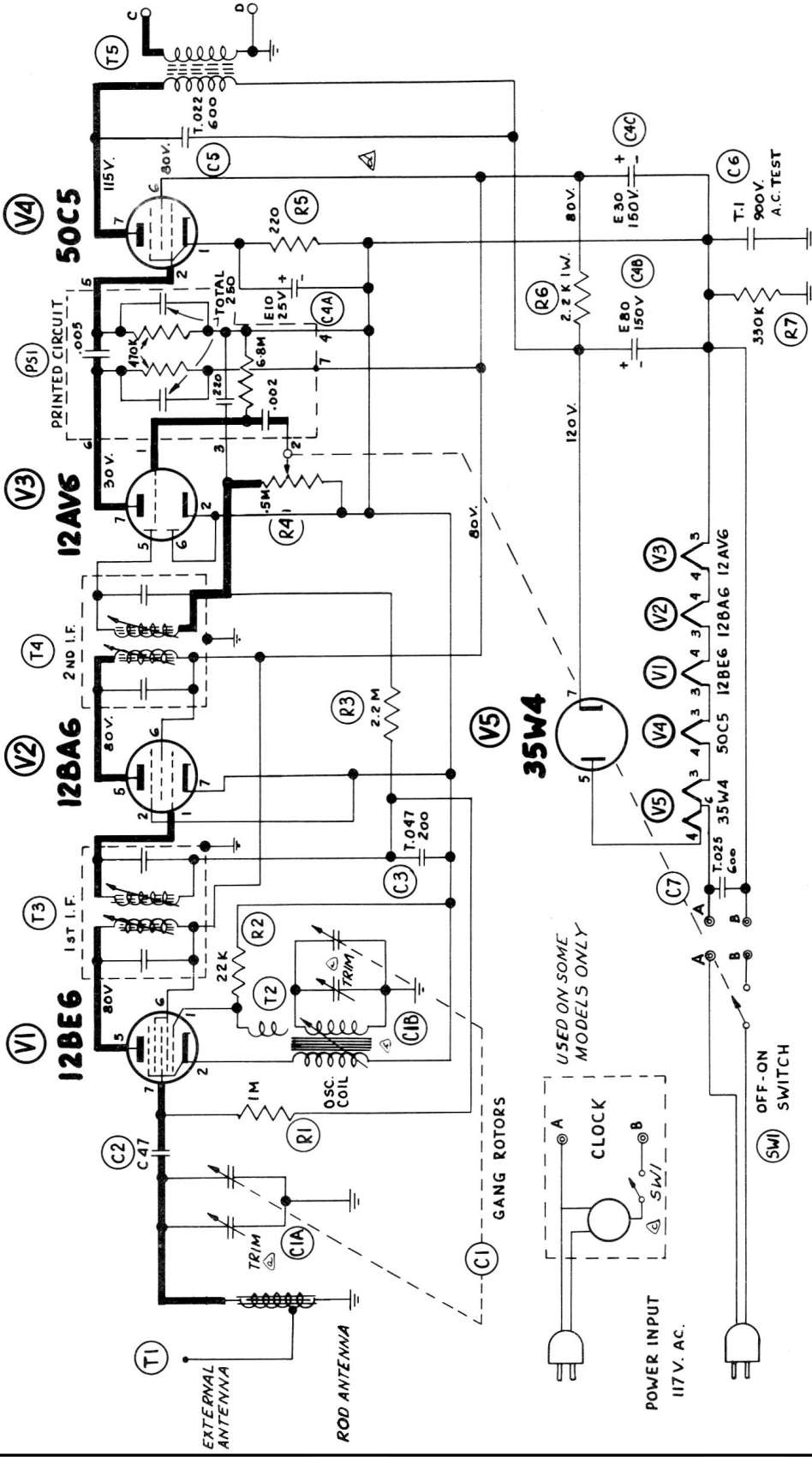
When writing for Service Information or Parts, please quote Model Number, Serial Number and finish of cabinet.

CAUTION FOR SERVICEMEN

Any serviceman working with this receiver when it is out of the cabinet should take special care not to come in contact with any ground connections.

SERVICE REPLACEMENT PARTS LIST RM-318 & RM-318R

Part No.	Description	Suggested List Price	NOTE: Colour of knob matches colour of cabinet.		
12-15360-51	Cabinet - Blue	\$ 8.75	53-114-01	Knob - Tuning - Blue	\$ 1.00
-52	" - Pink	8.75	-02	" - " - Pink	1.00
-53	" - Brown	8.75	-03	" - " - Brown	1.00
-54	" - White	8.75	-04	" - " - White	1.00
-55	" - Maroon	8.75	-05	" - " - Maroon	1.00
19-40005-01	4" Speaker	3.40	53-115-01	Knob - Volume - Blue	.40
21-419-02	B.C. Osc. Coil		-02	" - " - Pink	.40
21-404-01	I.F. Transformer Assy.	1.75	-03	" - " - Brown	.40
24-80004-07	Audio Output Transformer	2.00	-04	" - " - White	.40
41-7-11	Control - Volume with A.C. Switch	1.60	-05	" - " - Maroon	.40
44-6-05	Electrolytic - Triple Cardboard	1.88			
45-12-01	Gang Condenser	3.25			
50-2-01	Audet Printed Circuit	1.05			
51-14-01	Rod Ant. Assy.	2.65			



COMPONENT VALUES

RESISTORS: 1/2 WATT, UNLESS OTHERWISE NOTED.
 20% TOL, UNLESS OTHERWISE NOTED.
 K = 1000 OHMS.
 M = 1,000,000 OHMS.

CONDENSERS: T = TUBULAR, FOLLOWED BY CAP. IN μ F & D.C. V.V.
 E = ELECTROLYTIC, FOLLOWED BY CAP. IN μ F. & D.C. V.V.
 C = CERAMIC, FOLLOWED BY CAP. IN μ F & TOL.
 IF CRITICAL

ALIGNMENT AND SENSITIVITY

STEP	APPLY SIGNAL KC.	THRU SERIES TUNING	SET GANG AT	ADJUST FOR MAX. OUTPUT	NOMINAL SENSITIVITY
1	455	12BA6*	.05 μ F.D.	MIN. CAP.	2000 μ V.
2	455	12BE6**7	.05 μ F.D.	MIN. CAP.	65 μ V.
3	1460	*ANT.	—	OSC. TRIMMER	—
4	1460	*ANT.	—	ANT. TRIMMER	275 μ V./M.
5	535	*ANT.	—	MAX. CAP.	CHECK ONLY
6	600	*ANT.	—	600	CHECK ONLY

* FASHION LOOP CONSISTING OF SEVERAL TURNS OF WIRE AND RADIATE SIGNAL, FROM GENERATOR TO LOOP OF RECEIVER.

WIRING DIAGRAM

CN. No.	DATE	CHANGE	CHK
57-454	5-27-57	TRIM ADDED (CIA) AND (C1B) (g.) REM. CORE. ADDED (T2) (k)	
		SW1 ADDED TO CLOCK (c)	
57-650	8-15-57	WAS B-1 PAW OUT IN TUBE 50C5. C.R. (M)	