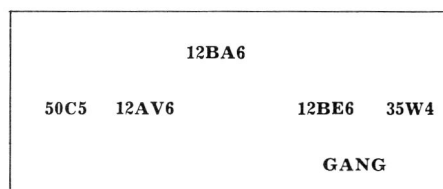


VIKING Service Information for MODEL



OFF - ON - VOLUME TUNING

SPECIFICATIONS

Standard Broadcast Range 535 Kc to 1605 Kc. min.
 Intermediate Frequency 455 Kc.
 Power Consumption 25 Watts
 Undistorted Output 750 mw
 Maximum Power Output..... 1.5 Watts

Power supply: 105-125 Volts A.C., 25-60 Cycles or 105-125 Volts D.C.

When writing for Service Information or Parts, please quote Model Number, Serial Number and finish of cabinet.

CAUTION FOR SERVICEMEN

Any serviceman working with this receiver when it is out of the cabinet should take special care not to come in contact with any ground connections.

SERVICE REPLACEMENT PARTS LIST

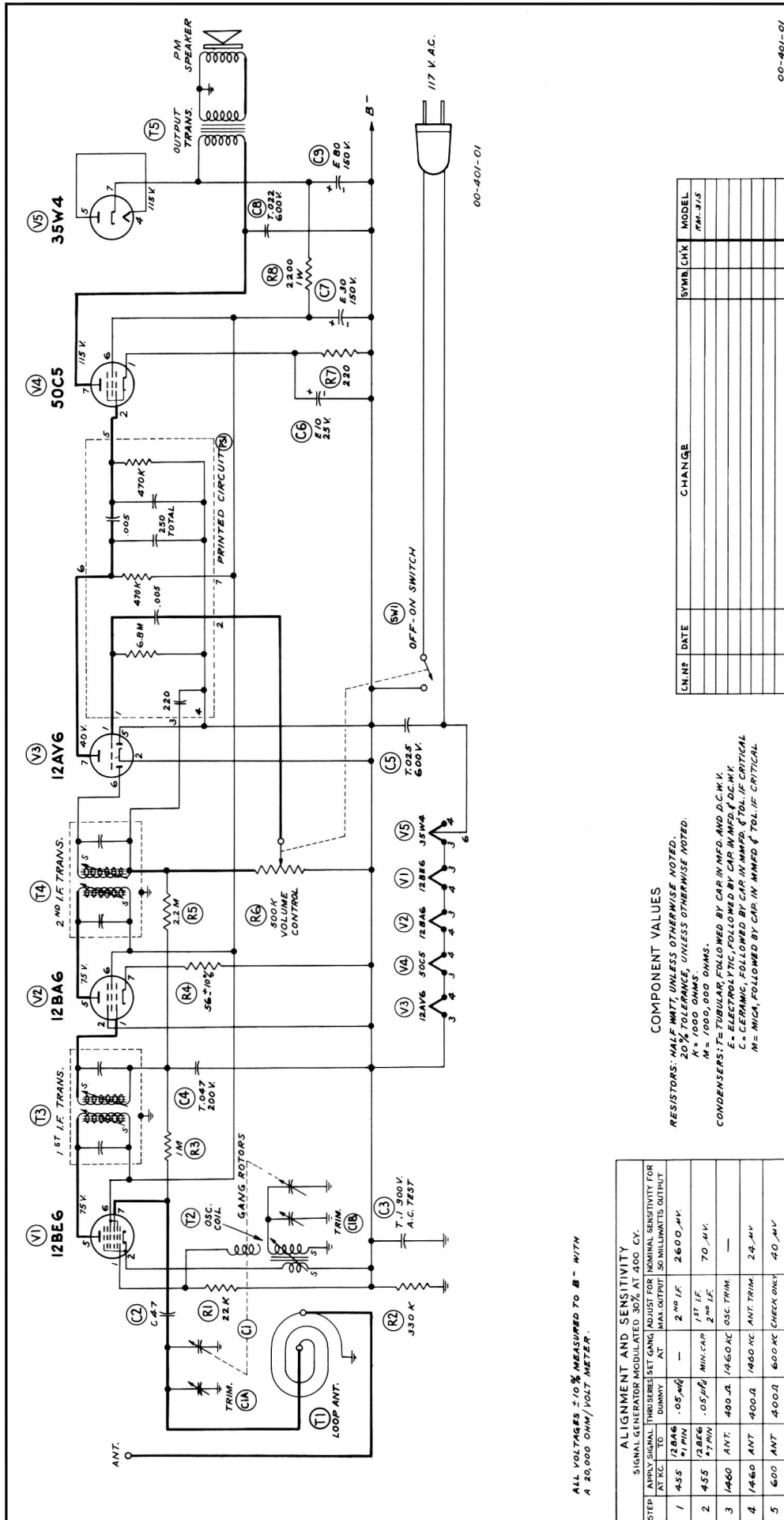
Chassis

- 19-40001-01.....4" Speaker Assembly
- 21-404-01.....I.F. Trans. Assembly
- 21-405-01.....B.C. Oscillator Coil
- 24-80004-06.....Audio Output Transformer
- 32-27-01.....Line Cord and Plug Assembly
- 41-7-05.....Volume Control and A.C. Switch
- 44-6-04.....Electrolytic — Triple
- 45-3-02.....Gang Condenser
- 50-2-01.....Audet — Printed Circuit
- 51-2-01.....Loop Antenna Assembly

Final Assembly

- 12-6058-51.....Plastic Cabinet — Ivory
- 12-6058-52.....Plastic Cabinet — Brown
- 12-6058-53.....Plastic Cabinet — Green
- 12-6058-54.....Plastic Cabinet — Grey
- 12-6058-55.....Plastic Cabinet — Red
- 30-1-01.....Dial
- 53-28-01.....Metal Grille
- 53-30-01.....Knob — Tuning
- 53-31-01.....Knob — Volume

THE T. EATON CO. LIMITED
C A N A D A



ALL VOLTAGES $\pm 10\%$ MEASURED TO B - WITH
A 20,000 OHM/VOLT METER.

ALIGNMENT AND SENSITIVITY				
STEP	SIGNAL	INSTRUMENTS	ADJUST FOR	NORMAL SENSITIVITY FOR
AT REC.	TO	QUANTITY	SET POINT	50 MILLIWATTS OUTPUT
1	455	12BA6 1 PIN +7 PIN	.05 M μ S MIN. CAP +7 PIN	2 ND I.F. 1 ST I.F. 70 MV
2	455	12BE6 ANT.	400 A	1460 KC OSC. TRIM
3	1460	ANT.	400 A	1460 KC ANT. TRIM
4	1460	ANT.	400 A	600 KC CHECK ONLY
5	600	ANT.	400 A	600 KC CHECK ONLY

COMPONENT VALUES

RESISTORS: HALF WATT, UNLESS OTHERWISE NOTED.
20% TOLERANCE, UNLESS OTHERWISE NOTED.
K = 1,000 OHMS
M = 100,000 OHMS.

CONDENSERS: T = TUBULAR, FOLLOWED BY CAP. IN MFD. AND D.C.M.V.
E = ELECTROLYTIC, FOLLOWED BY CAP. IN MFD. & D.C.M.V.
C = CERAMIC, FOLLOWED BY CAP. IN MMFD. & TOL. IF CRITICAL
M = MICA, FOLLOWED BY CAP. IN MMFD. & TOL. IF CRITICAL

CN. NO.	DATE	CHANGE	SYMBOL	CHK.	MODEL
					PM-3A/5

00-401-01

00-401-01