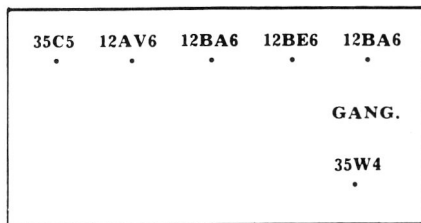


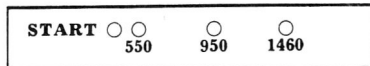
VIKING Service Information for MODEL

RM-290R & RR
RMK-291R & RR

RM-290R & RR



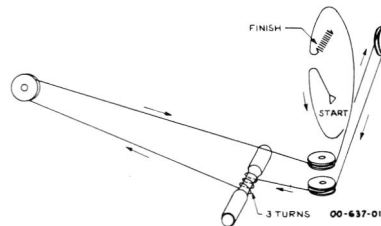
VOLUME TUNING



CALIBRATION POINTS ON CHASSIS SKIRT

SPECIFICATIONS

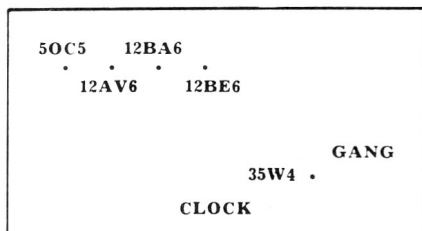
Standard Broadcast Range 540 Kc - 1650 Kc
 Intermediate Frequency 455 Kc
 Power Consumption 25 Watts
 Undistorted Output 750 mw
 Maximum Power Output 1.5 Watts



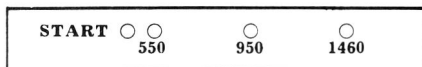
RM-290R & RR Power supply. 105-125 Volts.A.C., 25-60 Cycles or 105-125 Volts D.C.

RMK-291R & RR Power supply. 105-125 Volts A.C. Cycle AS MARKED

RMK-291R & RR



VOLUME TUNING



CALIBRATION POINTS ON CHASSIS SKIRT

When writing for Service Information or Parts please quote Model Number, Serial Number and finish of cabinet.

FOR ALIGNMENT AND SENSITIVITY DATA SEE SCHEMATIC

CAUTION FOR SERVICEMEN

Any serviceman working with this receiver when it is out of the cabinet should take special care not to come in contact with any ground connections.

REMOVAL OF CLOCK

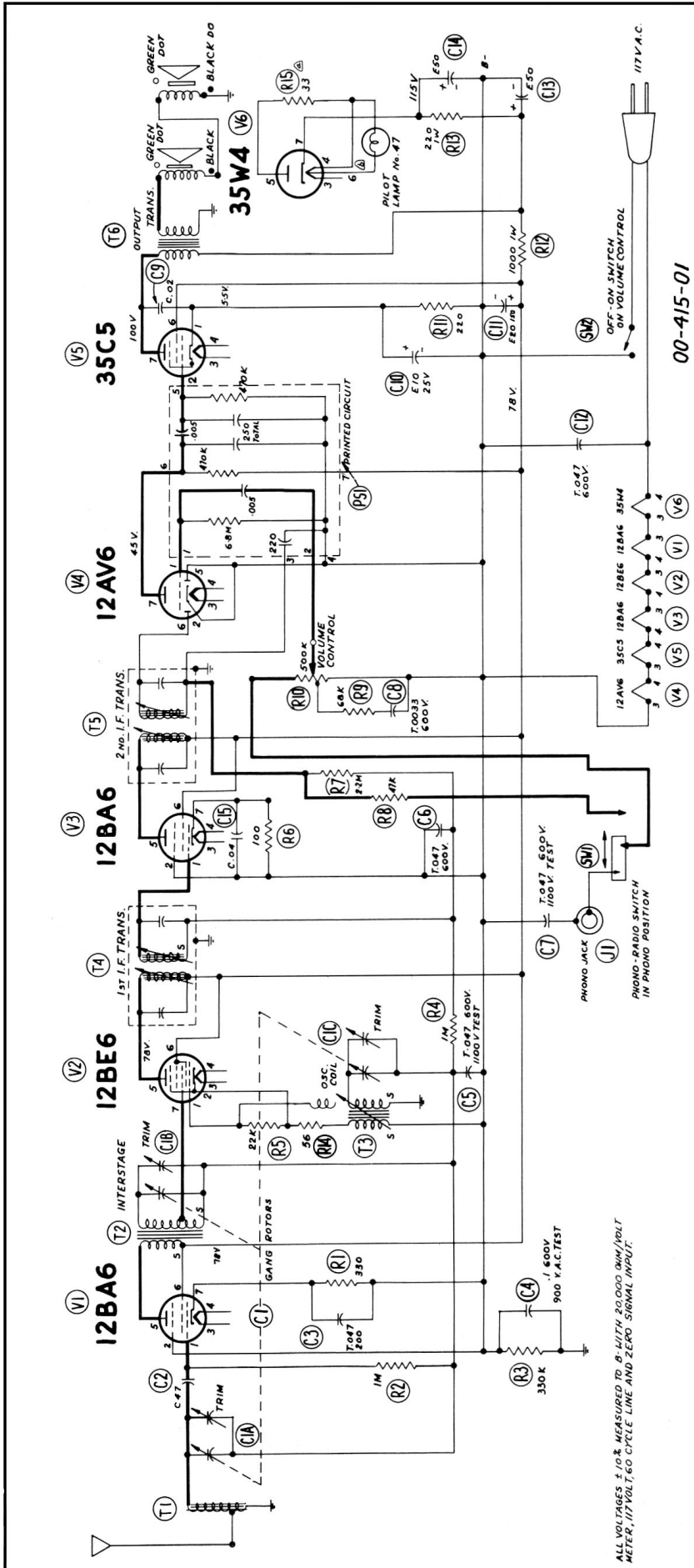
- Remove: (1) Tuning & Volume Control "Push-On" type knobs.
- (2) The clock "Push-On" type knobs.
- (3) Chassis retaining screws (2) and back mounting screws (2).
- (4) Slide Chassis from cabinet and remove the plug from chassis socket.
- (5) Remove two nuts holding clock retaining bracket.

NOTE:

Should it be necessary to ship the clock separately at any time, make certain that it is properly packed to withstand transportation and so that the clockhands, time set shaft, etc., are not subject to strain.

THE T. EATON CO. LIMITED
CANADA

RM-29OR & RR



ALL VOLTAGES ±10% MEASURED TO B- WITH 20,000 OHM/VOLT METER, 117VOLT, 60 CYCLE LINE AND ZERO SIGNAL INPUT.

* FASHION LOOP CONSISTING OF SEVERAL TURNS OF WIRE AND RADIATE SIGNAL FROM GENERATOR TO LOOP OF RECEIVER, ADJUST TRIMMER FOR MAXIMUM OUTPUT.

ALIGNMENT AND SENSITIVITY	
SIGNAL GENERATOR MODULATED 30% AT 400 CY.	
STEP	APPLY SIGNAL THRU SERIES AT
1	455 K.I.F. .05
2	455 K.I.F. .05
3	1460 K.I.F. .05
4	1460 K.I.F. .05
5	600 K.I.F. .05

SET GAIN ADJUST FOR MAX OUTPUT	NOMINAL SENSITIVITY FOR 30MHZ OUTPUT
2200 μV	170 μV/M
70	60 μV/M
—	—
—	—

COMPONENT VALUES

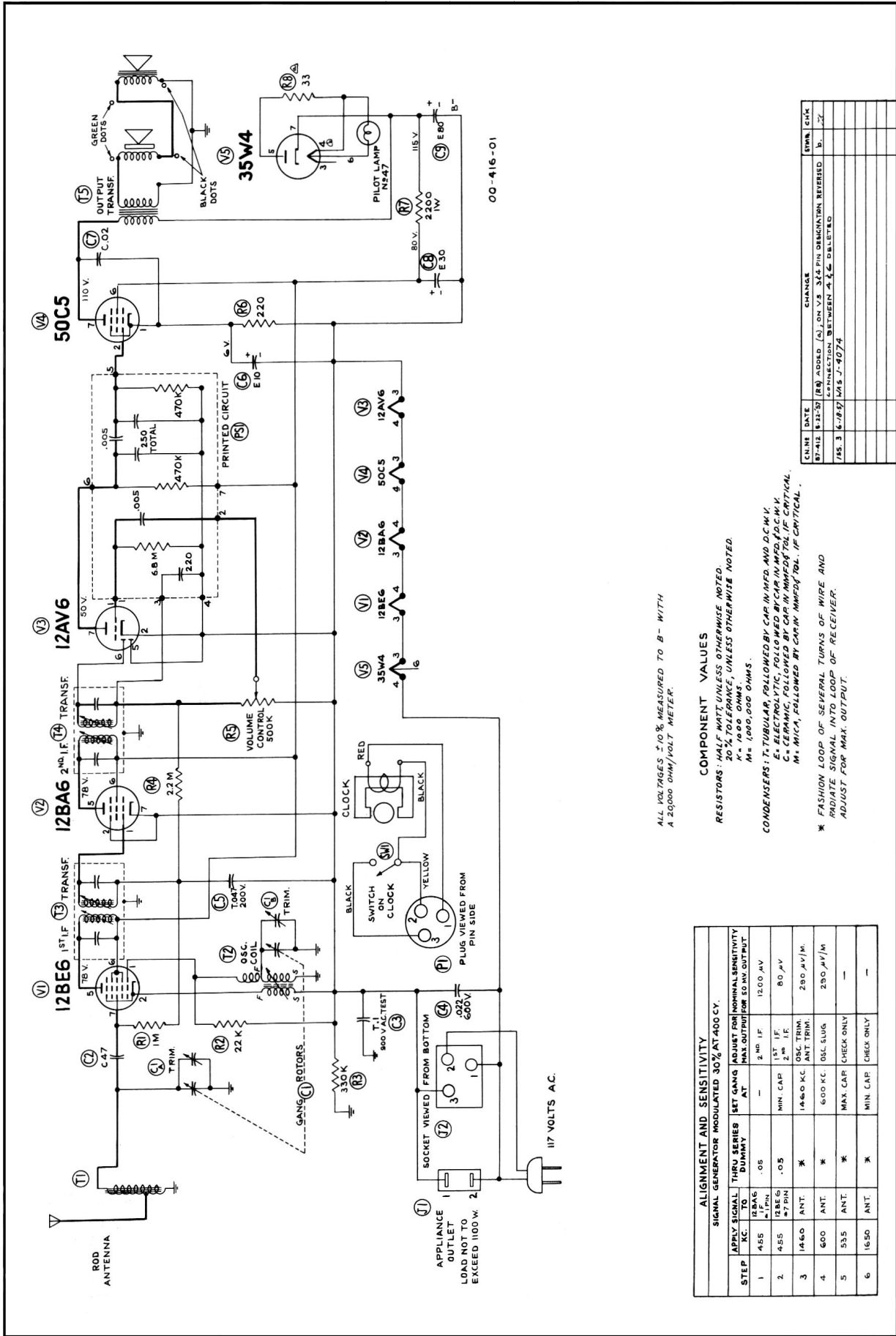
RESISTORS: HALF WATT, UNLESS OTHERWISE SPECIFIED.
 20% TOLERANCE, UNLESS OTHERWISE SPECIFIED.
 K = 1000 OHMS
 M = 1000,000 OHMS

CONDENSERS: T = TUBULAR, FOLLOWED BY CAP. IN MFD AND D.C. W.V.
 E = ELECTROLYTIC, FOLLOWED BY CAP. IN MFD AND A.C. W.V.
 C = CERAMIC, FOLLOWED BY CAP. IN MMFD. \$TOL. IF CRITICAL
 M = MICA, FOLLOWED BY CAP. IN MMFD. \$TOL. IF CRITICAL

E.C.N. No.	DATE	CHANGE
57-712	4-12-57	ADDED RESISTOR R15, T6, DELETED CONNECTION MAT. WEA.
155-3	6-18-57	PIPS # 9 AND #6 ON V-6
		WAS T. J. 4070

00-415-01

RMK-291R & RR



ALL VOLTAGES $\pm 10\%$, MEASURED TO B- WITH A 20,000 OHM/VOLT METER.

COMPONENT VALUES

RESISTORS: HALF WATT, UNLESS OTHERWISE NOTED.
 20% TOLERANCE, UNLESS OTHERWISE NOTED.

K = 1000 OHMS
 M = 1,000,000 OHMS

CONDENSERS: T, TUBULAR, FOLLOWED BY CAP. IN MFD. AND D.C.M.V.
 E, ELECTROLYTIC, FOLLOWED BY CAP. IN MFD. AND D.C.M.V.
 C, CERAMIC, FOLLOWED BY CAP. IN MMFD. OR P.P.F. IF CRITICAL.
 M, MICA, FOLLOWED BY CAP. IN MMFD. OR P.P.F. IF CRITICAL.

* FASHION LOOP OF SEVERAL TURNS OF WIRE AND RADIATE SIGNAL INTO LOOP OF RECEIVER. ADJUST FOR MAX. OUTPUT.

ALIGNMENT AND SENSITIVITY			
SIGNAL GENERATOR MODULATED 30% AT 400 CY.			
STEP	FREQ. SIGNAL	THRU SERIES TO DUMMY ANT.	SET GANG TO ADJUST FOR NOMINAL SENSITIVITY MAX. OUTPUT FOR EQ. ANT. OUTPUT
1	455 Kc.	12BE6	.05
2	455 Kc.	12BE6	.05
3	1460 Kc.	ANT.	OSC. TRIM. ANT. TRIM.
4	600 Kc.	ANT.	OSC. SLUG
5	535 Kc.	ANT.	CHECK ONLY
6	1650 Kc.	ANT.	CHECK ONLY

CHANGE	DATE	BY	CHK.
(R) ADDED (A) ON V3. 34Z PIN DESIGNATION REVERSED.			
INTERSECTION BETWEEN 4 & 6 DELETED			
(S) 3 6-18-57			
(S) J-4074			

REPLACEMENT PARTS LIST RM-290R & RR

PART NO.	DESCRIPTION	SUGGESTED PRICE LIST
19-40002-11	4" PM Speaker (2)	
21-404-01	I.F. Transformer 1st & 2nd	
21-418-01	B.C. Interstage Coil	
21-417-01	B.C. Oscillator Coil	
24-80015-01	Audio Output Transformer	
26-2-02	Spot Switch	
27-2-01	Pilot Light #47,6.3V 150A	
30-28-01	Dial Scale	
33-28-02	Strain Relief Bushing	
34-27-01	Line Cord 6' - Ivory	
34-71-01	Pilot Lamp Sock & Lead	
35-129-01	Pointer	
41-42-01	Volume Control & AC Switch	
44-27-01	Electrolytic 50, 50 & 20 ufd. x 150 V 10 " x 25 V	
45-11-02	Gang Condenser & Drum Assembly	
48- (G-523)	Condenser Tub. .1 ufd 900 V - AC	
48- (G-588)	" " .047 ufd x 1100 V - AC	
50-2-01	Audet Printed Circuit	
51-12-01	Loopstick & Back Assembly	

CABINET INSTALLATION

CABINET			KNOB	
Colour	Old Part No.	New Part No.	Old Part No.	New Part No.
Ivory	A-4035-1	12-13780-51	N-533-1	53 98-01
Brown	-2	-52	-2	-02
*Green	-3	-53	-3	-03
Coral	-4	-54	-4	-04
Light Grey	-5	-55	-5	-05
**Green	-----	-56	-----	-06

Used on RM-290R only ** Used on RM-290RR only.

REPLACEMENT PARTS LIST RMK-291R & RR

PART NO.	OLD PART NO.	DESCRIPTION	SUGGESTED PRICE LIST
03-250002-01		Clock Assembly 60 Cy	
03-250002-02		Clock Assembly 25 Cy	
19-40002-11	K-1427-10	4" PM Speaker	
19-40002-12	-11	4" PM Speaker	
21-404-01	P-2923	I.F. Transformer 1st & 2nd	
21-405-01	P-2438-1	B.C. Osc Coil	
24-80015-01	LK-563-1	Audio Output Trans.	
27-2-01	K-839	Pilot Light #47,6.3V 150A	
30-28-01	A-4046	Dial Scale	
33-28-02		Strain Relief Bushing	
34-67-02	K-1439-2	Line Cord 6' Ivory	
34-71-01		Pointer	
35-129-01		Pilot Lamp Socket & Lead Assembly	
41-35-04	R-305-4	Volume Control	
44-6-06	G-568-6	Electrolytic 80 & 30 ufd x 200V 10 ufd x 25 V	
45-7-05	V-372-5	Gang Condenser & Drum Assembly	
48- (G-523)		Cond Tub. .1 ufd 900V AC	
50-2-01	K-1503	Audet Printed Circuit	
51-13-01	P-3054	Back & Loopstick Ant.	

CABINET INSTALLATION

Colour	Cabinet Old Part No.	New Part No.	Knob Old Part No.	New Part No.
Ivory	A-4036-1	12-13790-51	N-533-1	53-98-01
Brown	-2	-52	-2	-02
*Green	-3	-53	-3	-03
Coral	-4	-54	-4	-04
Light Grey	-5	-55	-5	-05
**Green	-----	-56	-----	-06

*Used on RMK-291R only ** Used on RMK-291RR only