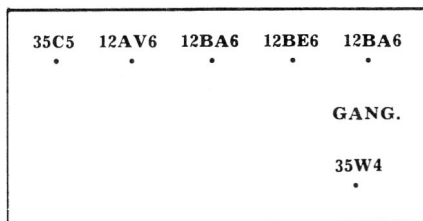
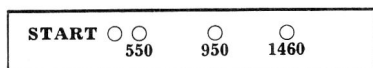


VIKING Service Information for MODEL



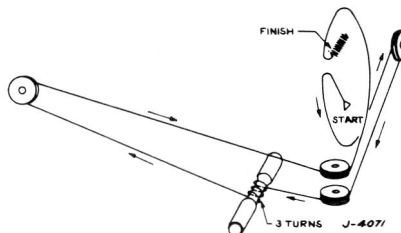
VOLUME TUNING



CALIBRATION POINTS ON CHASSIS SKIRT

SPECIFICATIONS

Standard Broadcast Range 540 Kc - 1650 Kc
 Intermediate Frequency 455 Kc
 Power Consumption 25 Watts
 Undistorted Output 750 mw
 Maximum Power Output 1.5 Watts



Power supply: 105-125 Volts A.C., 25-60 Cycles or 105-125 Volts D.C.

When writing for Service Information or Parts, please quote Model Number, Serial Number and finish of cabinet.

CAUTION FOR SERVICEMEN

Any serviceman working with this receiver when it is out of the cabinet should take special care not to come in contact with any ground connections.

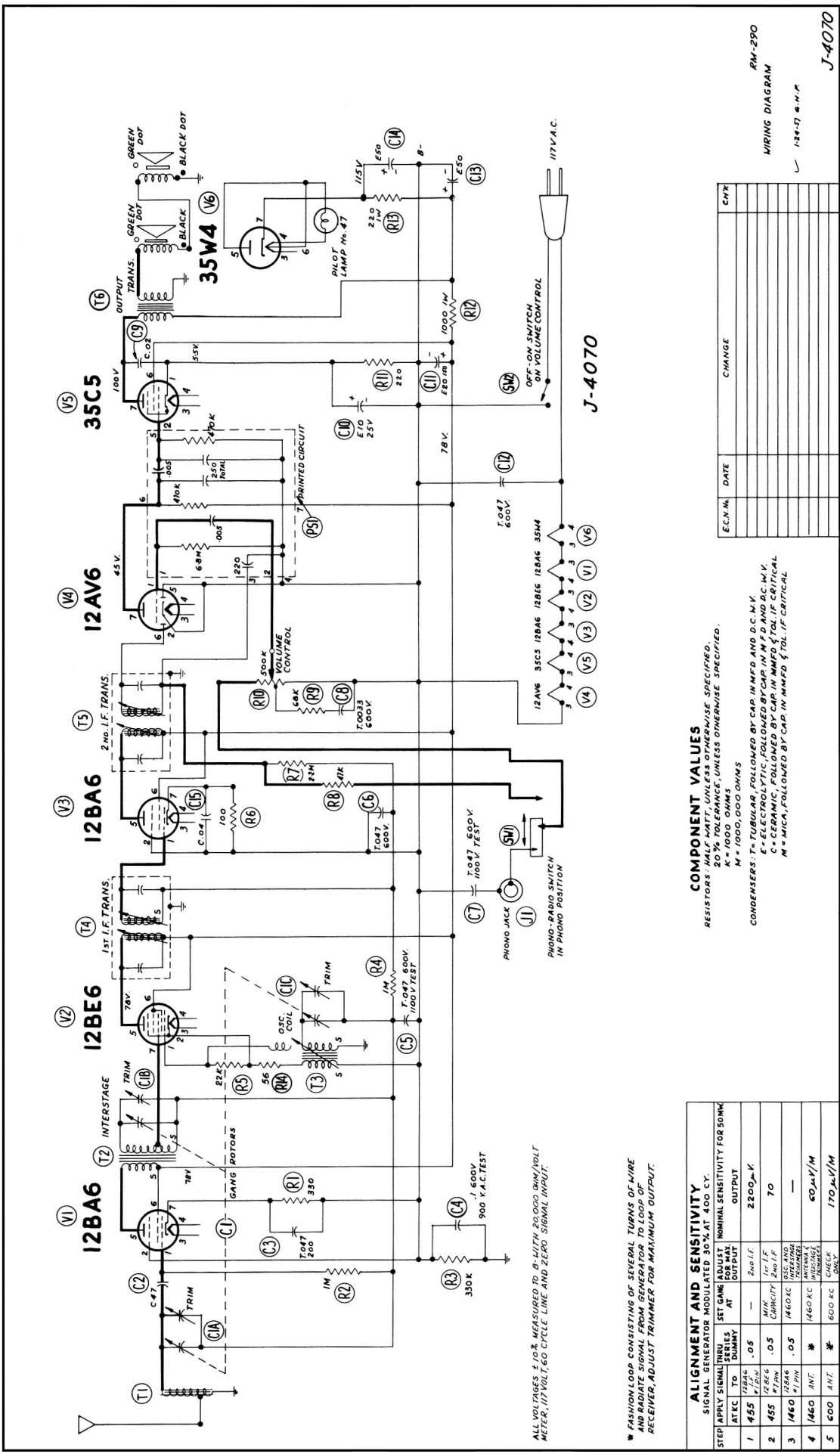
SERVICE REPLACEMENT PARTS LIST

- A-4046-1.....Dial Scale
- G-596-1.....Electrolytic 10 ufd. 25 wv. 50 ufd.
50 ufd. & 20 ufd. 150 DCWV.
- K-1446-1.....Line Cord & Plug Assembly 6' — Ivory
- K-1503.....Printed Circuit — Audet
- K-1427-10.....Speaker — 4" P.M.
- LK-563-1.....Audio Output Transformer
- P-2715-1.....B.C. Oscillator Coil
- P-2923.....I.F. Transformer (1st and 2nd)
- P-3053.....Back and Loopstick Antenna Assembly
- R-475-1.....Volume Control and AC. Switch
- V-373-2.....Gang Condenser

INSTALLATION

CABINET

Colour	Cabinet	Knob
Ivory	A-4035-1	N-533-1
Brown	A-4035-2	N-533-2
Green	A-4035-3	N-533-3
Coral	A-4035-4	N-533-4
Light Grey	A-4035-5	N-533-5



ALL VOLTAGES $\pm 10\%$ MEASURED TO B WITH 20,000 OHM/VOLT METER, 117 VOLT, 60 CYCLE LINE AND ZERO SIGNAL INPUT.

* FASHION LOOP CONSISTING OF SEVERAL TURNS OF WIRE AND RADIATE SIGNAL FROM GENERATOR TO LOOP OF RECEIVER, ADJUST TRIMMER FOR MAXIMUM OUTPUT.

ALIGNMENT AND SENSITIVITY

SIGNAL GENERATOR MODULATED 30% AT 400 CY.

STEP	APPLY SIGNAL THRU SERIES DUMMY AT	SET GANG ADJUST FOR MAX. OUTPUT	NOMINAL SENSITIVITY FOR 50MM
1	455 12BE6	—	2nd I.F. 2200 μ V
2	455 12BE6	1st I.F. CAPACITY	2nd I.F. 70
3	460 12BA6	1460 KC	INTERSTAGE
4	460 AVC	1460 KC	ADJUSTING
5	600 AVC	600 KC	CHECK ONLY

170 μ V/M

COMPONENT VALUES

RESISTORS: HALF WATT, UNLESS OTHERWISE SPECIFIED.
20% TOLERANCE, UNLESS OTHERWISE SPECIFIED.

K = 1000 OHMS
M = 1000,000 OHMS

CONDENSERS: T = TUBULAR, FOLLOWED BY CAP. IN MFD AND D.C. M.V.
E = ELECTROLYTIC, FOLLOWED BY CAP. IN MFD AND D.C. M.V.
C = CERAMIC, FOLLOWED BY CAP. IN MMFD \$ \muOL. IF CRITICAL
M = MICA, FOLLOWED BY CAP. IN MMFD \$ \muOL. IF CRITICAL

EC.N. NO.	DATE	CHANGE	CHK.