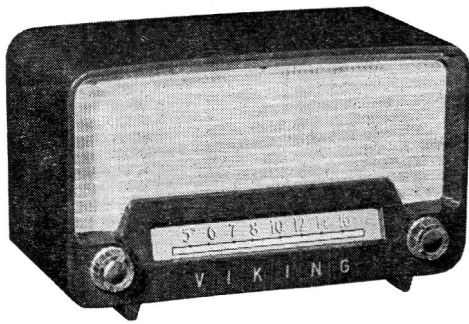
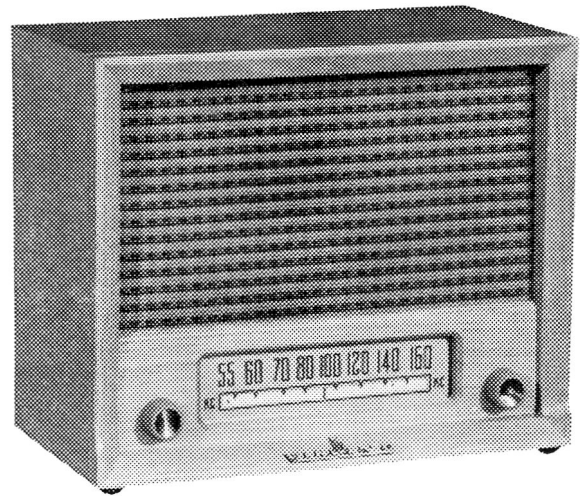


# VIKING Service Information for



MODEL RM-221

**Power Supply: 105-125 Volts A.C.,  
25-60 Cycles or 105-125 Volts D.C.**



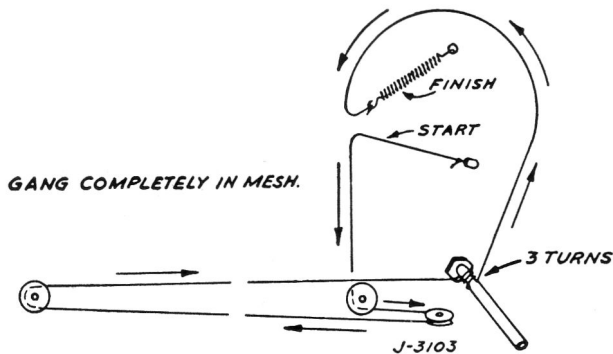
MODEL RM-220

When writing for Service Information or Parts, please quote Model Number, Serial Number and finish of cabinet.

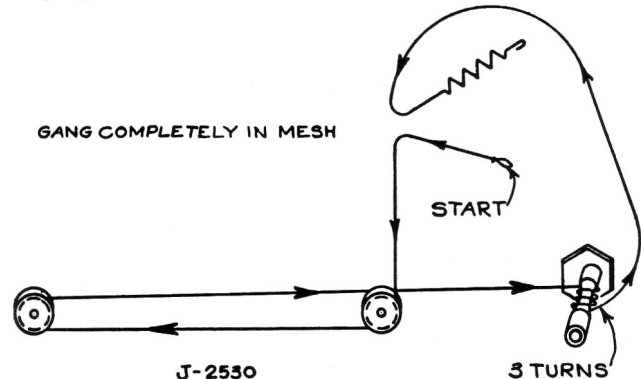
### CAUTION FOR SERVICEMEN

Any serviceman working with this receiver when it is out of the cabinet should take special care not to come in contact with any ground connections.

In order to prevent reception when the set is used as an amplifier with a record player, the tip of one of the antenna section gang plates has been bent so that this plate shorts out the gang when it is turned to its maximum (full in) capacity position. Do not remove this short or radio programme and noise will be heard when records are being reproduced through the receiver.



STRINGING DETAIL—MODEL RM-221



STRINGING DETAIL—MODEL RM-220

### LOOP

35W4, 35C5, 12AT6, 12BA6, 12BE6, 12BA6

### TUBES

SPEAKER GANG

### SPECIFICATIONS

TUNING RANGE .....	540 Kc. - 1650 Kc.
INTERMEDIATE FREQUENCY .....	455 Kc.
UNDISTORTED POWER OUTPUT .....	700 mw.
MAXIMUM POWER OUTPUT .....	1.5 Watts
POWER CONSUMPTION .....	25 Watts

### REPLACEMENT PARTS LIST

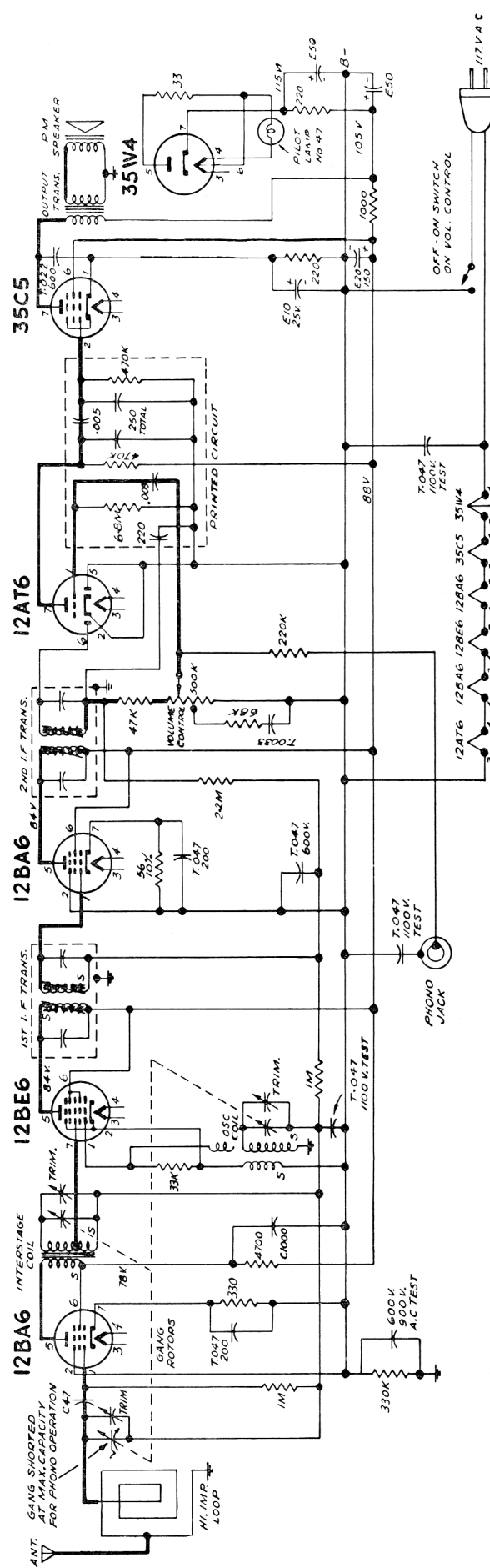
- B-347.....Cord Tension Spring
- G-596-1.....Electrolytic
- K-839.....Pilot Lamp 6.3V. .15A No. 47
- K-1627-1.....Speaker on RM-221
- K-1685.....Speakers on RM-220
- LK-422-11.....Output Transformer On RM-221
- LK-563-11.....Output Transformer On RM-220
- MP-1204-44.....Pointer & Slider Assy.
- P-2702-1.....Loop Antenna Assembly on RM-221
- P-2728.....Loop Antenna Assembly on RM-220
- P-2704-1.....B.C. Interstage Coil
- P-2715-1.....B.C. Osc. Coil
- P-2485R.....I.F. Transformer

- R-391-1.....Volume Control & Switch
- V-367-2.....Gang Cond. & Drum

### Plastic Cabinets on RM-221

- A-2273-1.....Brown
- A-2273-3.....Ivory
- A-2273-5.....Maroon
- A-2273-16.....Dark Green
- A-2273-17.....Light Blue
- A12680.....Dial Scale on Model RM-221
- A-2759.....Dial Scale on Model RM-220
- N-380.....Knobs on Model RM-221
- N-394-1.....Knobs on Model RM-220

**THE T. EATON CO. LIMITED**  
C A N A D A



**COMPONENT VALUES**

RESISTORS: HALF WATT, UNLESS OTHERWISE SPECIFIED.  
 20% TOLERANCE, UNLESS OTHERWISE SPECIFIED.  
 K = 1000 OHMS.  
 M = 1000,000 OHMS  
 CONDENSERS: T = TUBULAR, FOLLOWED BY CAP. IN MMFD. AND D.C. IN V.  
 E = ELECTROLYTIC, FOLLOWED BY CAP. IN MMFD. & D.C. IN V.  
 C = CERAMIC, FOLLOWED BY CAP. IN MMFD. & TOL. IF CRITICAL.  
 M = MICA, FOLLOWED BY CAP. IN MMFD. & TOL. IF CRITICAL.

**ALIGNMENT AND SENSITIVITY**

STEP	APPLY SIGNAL		THRU SERIES DUMMY AT	SET GANG AT	ADJUST FOR NOMINAL SENSITIVITY	
	AT KC.	TO			MAX. OUTPUT	FOR 50 MILLIWATTS OUTPUT
1	455	12BAG	.05	—	2ND I.F.	2000
2	455	12BE6	.05	MINIMUM CAPACIT	1ST I.F.	65
3	1460	12BAG	.05	1460	INTERSTAGE TRIMMERS	
4	1460	ANT.	*	1460	INTERSTAGE TRIMMER	10 μV/M.
5	600	ANT.	*	600	CHECK ONLY	30 μV/M.

ALL VOLTAGES ± 10% MEASURED TO B- WITH 20,000 OHM/VOLT METER, 117 VOLT, 60 CYCLE LINE AND ZERO SIGNAL INPUT.

\* FASHION LOOP CONSISTING OF SEVERAL TURNS OF WIRE AND RADIATE SIGNAL FROM GENERATOR TO LOOP OF RECEIVER. ADJUST TRIMMER FOR MAX. OUTPUT.