

# VIKING SERVICE INFORMATION FOR MODELS

## 9 TUBE AM-FM STEREO RADIO-PHONO COMBINATION

RCS-572  
RCS-573  
RCS-574  
RCS-574M  
RCS-575  
RCS-575M

For Operation on 110-120 Volts A.C. Cycle as Marked.

When writing for Service Information or Parts please quote Model Number, Serial Number and finish of cabinet.

All information printed in this leaflet is up to date as of July 13, 1962. Subsequent changes are covered by bulletin.

### SPECIFICATIONS

Standard Broadcast Range..... 535 to 1650 Kc.  
Frequency Modulation Range..... 88 to 109 Mc.  
Band Width ..... AM 10 Kc. Band Width at 2X Down  
19 Kc. Band Width at 10X Down

AM Hi-Fi 22.5 Kc. Band Width at 2X Down  
35 Kc. Band Width at 10X Down  
FM 350 Kc. Band Width at 10X Down

Sensitivity..... AM---40 uv for 70 mv at Detector  
FM---1.75 uv for 20db quieting  
3.5 uv for 30db quieting

### AMPLIFIER (Specifications per channel)

Frequency Response - 50 cps. to 20,000 cps.  $\pm$  2db  
POWER OUTPUT - 20 watts peak.

### LEVEL BALANCE CONTROL DUAL ELEMENT FRICTION CLUTCH TYPE

Designed to provide bass and treble boost as follows:

- 35° removed from CCW position 20 db. lift at 30 C/S
- 35° removed from CCW position 15 db. lift at 15 Kc/s
- 65° removed from CCW position 7 db. lift at 30 C/S

65° removed from CCW position 10 db. lift at 15 Kc/s with reference to 1000 cps.

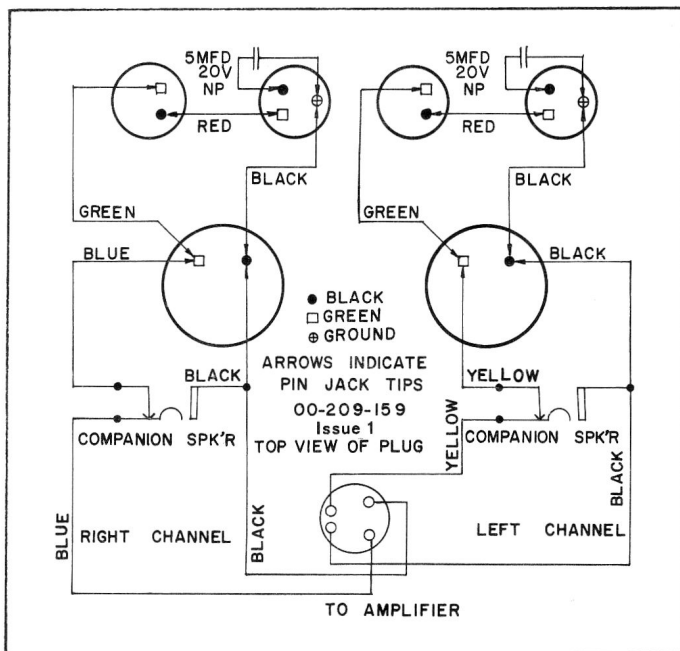
### BASS TONE CONTROL DUAL ELEMENT

Designed to provide 7 db cut at 50 cps. Covers sound spectrum from 20-1000 cps.

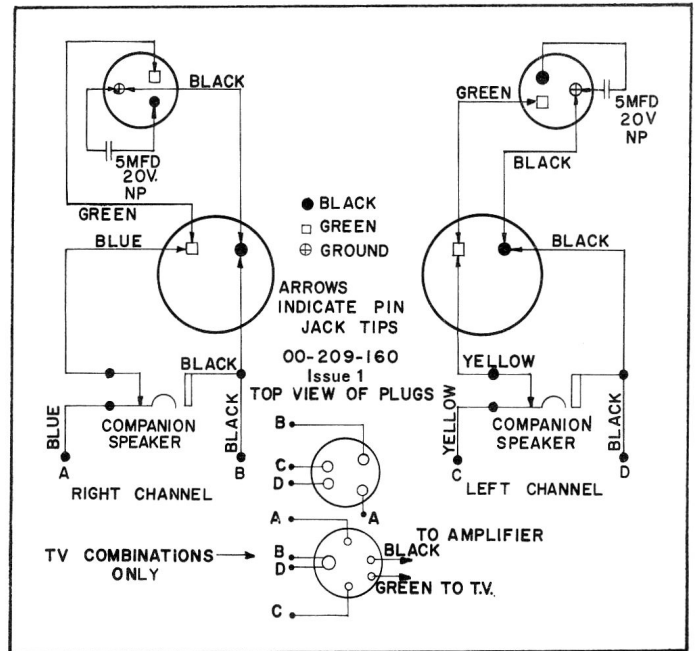
### TREBLE TONE CONTROL DUAL ELEMENT

Designed to provide 15 db cut at 10,000 cps. Covers sound spectrum from 1000 to 15,000 cps. Measurements with tone controls in flat position, level control fully clockwise.

### SPEAKER CONNECTIONS



RCS-574 & M, RCS-575 & M



RCS-572, RCS-573

**THE T. EATON CO. LIMITED**  
**CANADA**



# AM-FM TUNER ALIGNMENT PROCEDURE — TRPSE 559, TRPSE 560

STEP	DUMMY ANTENNA	SIGNAL APPLIED TO	FREQ.	MODULATION	BAND SWITCH SETTING	DIAL POINTER SETTING	INDICATING METER	ADJUST	REMARKS	NOMINAL SENSITIVITY
1	.05 uf	Pin #1 V3 6BA6	455 Kc/s	400 C.P.S. AM at 30%	AM	600 Kc/s	AC-VTVM To Point "I"	T7 2nd AM-IF	Adjust for maximum output	3000 uv. for 70 Mv. output
2	.05 uf	Pin #7 V6 6BE6	455 Kc/s	400 C.P.S. AM at 30%	AM	600 Kc/s	AC-VTVM To Point "I"	T5 1st AM-IF	Adjust for maximum output	100 uv. for 70 Mv. output
3	200 uuf	AM Ant. Term. Strip #1	600 Kc/s	400 C.P.S. AM at 30%	AM	600 Kc/s	AC-VTVM To Point "I"	T10 and T9 AM-Osc. & AM Ant.	Connect for long wire ant. Adjust for Max. output***	35 uv. for 70 Mv. output
4	200 uuf	AM Ant. Term. Strip #1	1400 Kc/s	400 C.P.S. AM at 30%	AM	1400 Kc/s	AC-VTVM To Point "I"	C2D and C2B Trimmers	Connect for long wire ant. Adjust for Max. output***	45 uv. for 70 Mv. output
5	Repeat steps 3 and 4, check band coverage at 535 Kc/s - 1650 Kc/s and for tracking at 950 Kc/s.									
6	—	Pin #1 V3 6BA6	10.7 Mc/s	Nil	FM	Point of no inter- ference	DC-VTVM To Point "K"	T6, 3rd. FM-IF	Adjust for maximum meter deflection	10000 uv. for 1V output
7	—	Pin #1 V3 6BA6	10.7 Mc/s	Nil	FM	Point of no inter- ference	DC-VTVM To MX Output	T8 FM Ratio Det. Primary (Bo.t)	Adjust for maximum meter deflection	1250 uv. for 1V output
8	—	Pin #1 V3 6BA6	10.7 Mc/s	Nil	FM	Point of no inter- ference	DC-VTVM To MX Output	T5 FM Discriminator Secondary (Top)	Adjust for zero voltage. NOTE**	—
9	—	Pin #1 V2 6AU6A	10.7 Mc/s	Nil	FM	Point of no inter- ference	DC-VTVM To Point "K"	T4 2nd FM-IF	Adjust for maximum meter deflection	160 uv. for 1V output
10	—	C1A FM Gang	10.7 Mc/s	Nil	FM	Point of no inter- ference	DC-VTVM To Point "K"	T3, 1st. FM-IF	Adjust for maximum meter deflection	—
11	NOTE *	FM Ant. Term. Strip	90 Mc/s	400 C.P.S. FM 22.5 Kc/s Dev.	FM	90 Mc/s	AC-VTVM To Point "H"	T2 Slug and L3 coil	Adjust for maximum output	3 uv. for 200 Mv. output
12	NOTE *	FM Ant. Term. Strip	106 Mc/s	400 C.P.S. FM 22.5 Kc/s Dev.	FM	106 Mc/s	AC-VTVM To Point "H"	C1D and C1B Trimmers	Adjust for maximum output	3 uv. for 200 Mv. output
13	Repeat steps 11 and 12 until output drops at least 20 db. when mod. is turned off.									

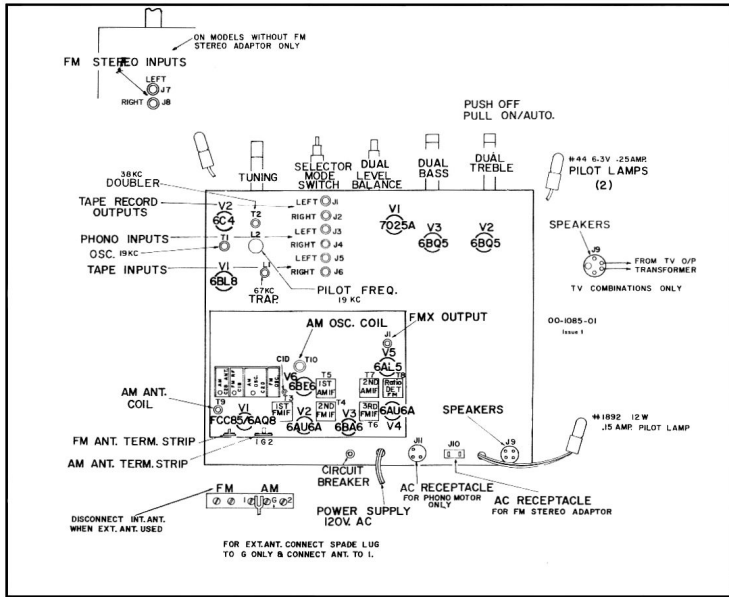
**NOTE:** To achieve more accurate alignment of FM IF's and ratio detector it is preferable to use a proper sweep generator and oscilloscope.

\* For FM dummy antenna connect one 150 ohm carbon resistor from grounded side of sig. gen. to antenna terminal and one 120 ohm carbon resistor from hot side of signal generator to antenna terminal.

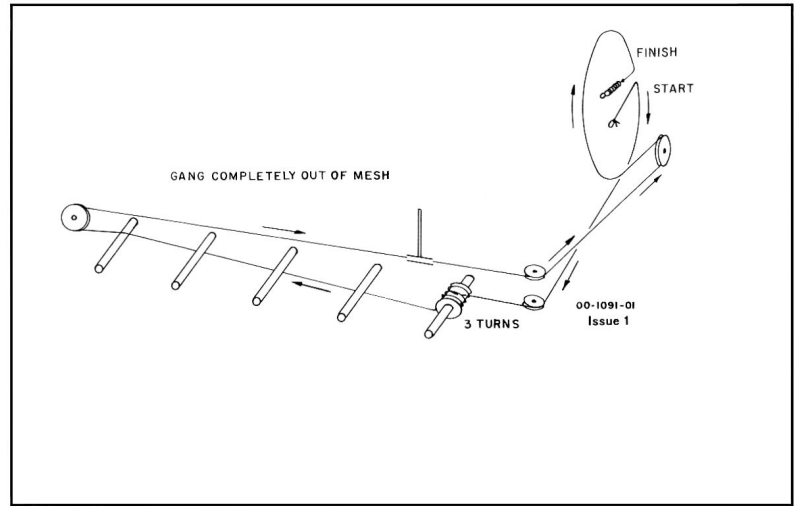
\*\* With ground lead of DC VTVM connected to two 100 K resistors. To be temporarily connected in series across C31 (4 ufd CAP)

\*\*\* For AM-RF alignment purpose. The low impedance loop, installed in the cabinet or its electrical equivalent must be connected to the set as shown in the schematic.

NOTE: Input to set is one half, output reading of signal generator.

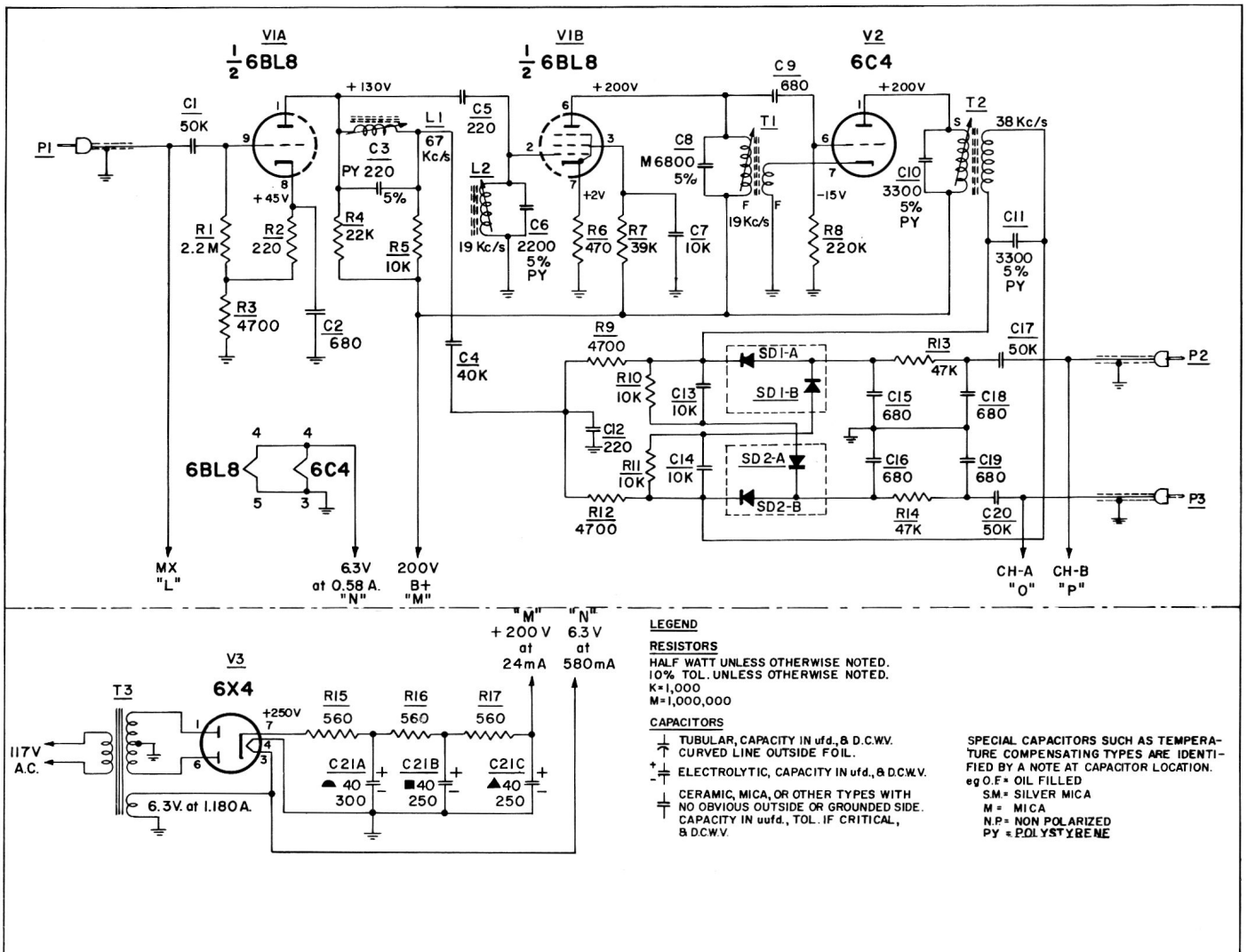


Amplifier

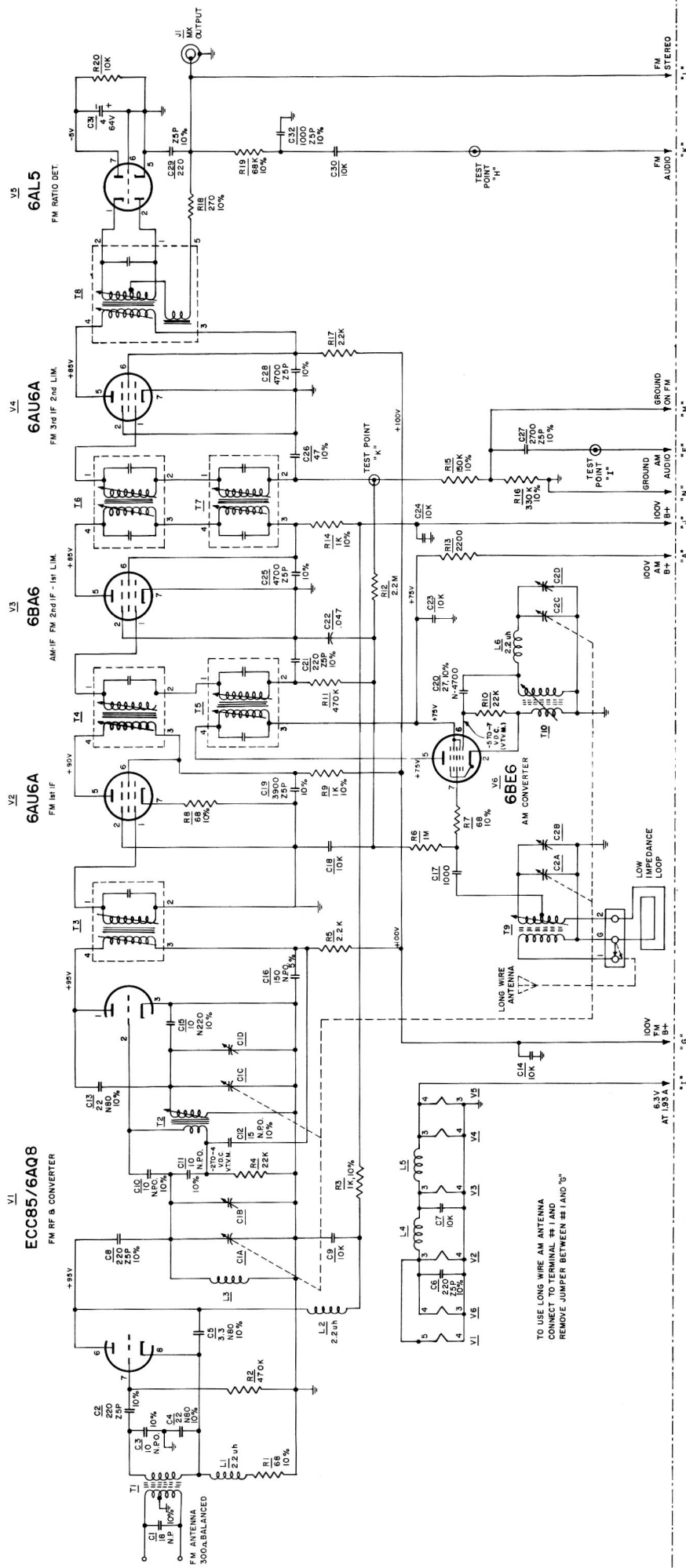


Stringing Detail

### FM STEREO RADIO ADAPTOR SCHEMATIC (RCS-574M, RCS-575M ONLY)



# AM-FM TUNER SCHEMATIC



TO USE LONG WIRE AM ANTENNA  
CONNECT TO TERMINAL #1 AND  
REMOVE JUMPER BETWEEN #1 AND #2

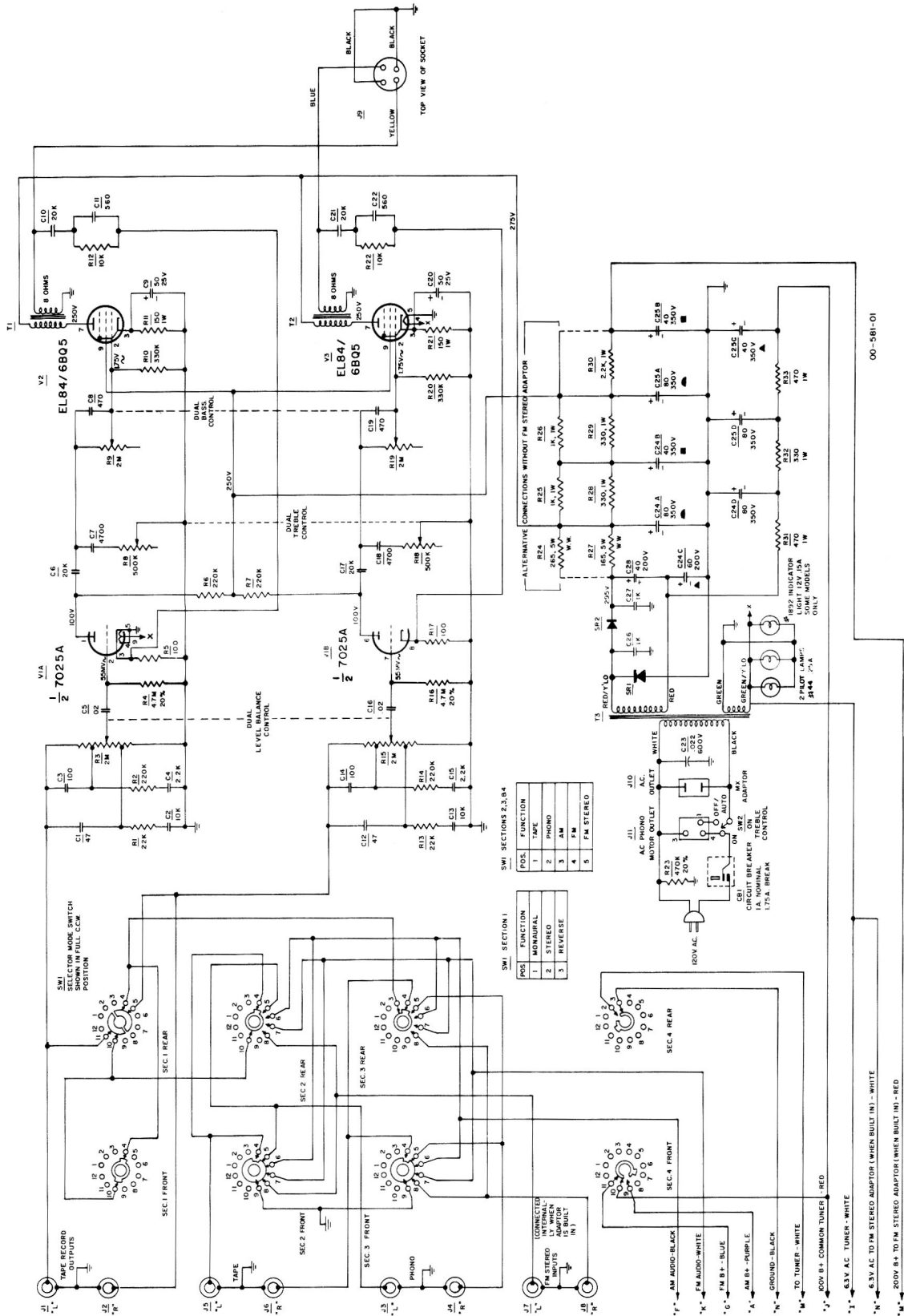
NOTE - FOR ALIGNMENT INSTRUCTIONS SEE DEL DWG 00-1452-01  
00-474-01  
Issue 2

LEGEND  
RESISTORS  
1/2 WATT UNLESS OTHERWISE NOTED.  
20% TOL  
K=1,000 OHMS  
M=1,000,000 OHMS

CAPACITORS  
TUBULAR, CAPACITY IN  $\mu$ F, AND D.C.W.V.  
CURVED LINE, OUTSIDE FOIL.  
ELECTROLYTIC, CAPACITY IN  $\mu$ F, AND D.C.W.V.  
CERAMIC, MICA OR OTHER TYPES WITH NO  
OBVIOUS OUTSIDE OR GROUNDED SIDE.  
CAPACITY IN  $\mu$ g, TOL IF CRITICAL, AND D.C.W.V.  
N.P.O. = NEG. POLARIZED.  
N=4700° TEMP. COMPENSATION

SPECIAL CAPACITORS SUCH AS TEMPERATURE  
COMPENSATING TYPES ARE IDENTIFIED BY A  
NOTE AT CAPACITOR LOCATION.  
#8 = SILVER FILLED  
#9 = MICA  
S.M. = SILVER MICA  
N.P. = NON POLARIZED.  
N=4700° TEMP. COMPENSATION

# AMPLIFIER SCHEMATIC



00-581-01

ALTERNATIVE CONNECTIONS WITHOUT FM STEREO ADAPTOR

REPAIR MANUAL FOR SOME MODELS ONLY

# SERVICE REPLACEMENT PARTS LIST

RCS-572, RCS-573, RCS-574, RCS-574M, RCS-575, RCS-575M

## FINAL ASSEMBLY

Part No.	Description
16-120047-01	45 R.P.M. Inserts
19-30003-04	3½" P.M. Speaker 4 ohm V.C. (RCS-574 & M, RCS-575 & M)
19-30003-05	3¼" P.M. Speaker - 8 ohm V.C. (RCS-572, RCS-573)
19-100006-06	10" P.M. Speaker - 8 ohm V.C.
27-7-03	Pilot Light 12V No. 1892
30-233-03	Control Panel
53-617-01	Switch Knob - Level Balance, Mode
53-507-11	Knob Tuning, Bass Treble
53-507-13	Knob - Level Balance, Selector

## AMPLIFIER CHASSIS ASSEMBLY

Symbol	Part No.	Description
SW1	26-99-01	Selector Mode Switch
	27-1-01	Pilot Lamp - 6-8V No. 44 .25A
	30-238-01	Dial Scale
R27	42-21-65	Resistor - W.W. 165 ohm ± 10% 5W (M models only)
R24	42-21-87	Resistor - W.W. 265 ohm ± 10% 5W (all except M models)
	53-606-01	Logging Scale
T3	24-10082-01	Power Transformer - 60 cycle
T3	24-20082-01	Power Transformer - 25 cycle
T1, T2	24-80054-01	Output Transformer - 8 ohm V.C.
CB1	26-65-02	Circuit Breaker
SR1, SR2	28-6-01	Silicon Rectifier - 500 ma
R3, R15	41-161-04	Control Dual - Level Balance - 2 meg
R8, R18	41-164-03	Control - Treble
R9, R19	41-121-05	Control - Bass
C28	44-140-01	Electrolytic - Single Insulated 40 ufd x 200V
C24	44-141-01	Electrolytic - Quadruple - Can 80, 40 ufd x 350V; 60 ufd x 200V; 80 ufd x 150V
C25	44-142-01	Electrolytic - Quadruple - Can 80, 40 ufd x 350V; 80, 40 ufd x 150V

## TUNER PLATTER ASSEMBLY

Symbol	Part No.	Description
L4, L5	21-300-01	Heater Choke
T10	21-421-01	BC Oscillator Coil
T5, T7	21-432-02	AM IF Transformer - 1st and 2nd
T4	21-433-02	FM IF Transformer - 2nd
T6	21-433-03	FM IF Transformer - 3rd
T3	21-433-04	FM IF Transformer - 1st
L1, L2, L6	21-439-02	RF Choke 2.2 uh
T1	21-471-01	FM Antenna Matching Transformer
T9	21-480-01	BC Antenna Coil
T8	21-485-01	Ratio Detector
T2	21-486-01	FM Oscillator Coil
L3	21-487-01	FM RF Coil
C31	44-88-01	Electrolytic - Single Tubular 4 ufd x 64V
	45-36-01	FM Trimmer
	45-52-04	AM-FM Gang Condenser

## CHANGER ASSEMBLY

Part No.	Description
16-90025-02	Garrard AT6 Changer (RCS-574 & M)
16-120052-01	Garrard Multipurpose Pickup Case (RCS-574 & M)
16-250017-10	Astatic 86TSBD Cartridge
16-90024-05	Garrard Autoslim Changer (except RCS-574 & M)
16-120028-02	78 Replacement Stylus - Astatic N8-3S
16-120028-05	LP Replacement Stylus Astatic N7-7D