

VIKING SERVICE LEAFLET SUPPLEMENT

RCS-529A

FOR MODEL RCS-529A

13 TUBE AM-FM STEREO RADIO-PHONO COMBINATION

For more complete information see 54-1405-01, Issue 2.

Speaker Connection diagram for RCS-529A is the same as for RCS-529.

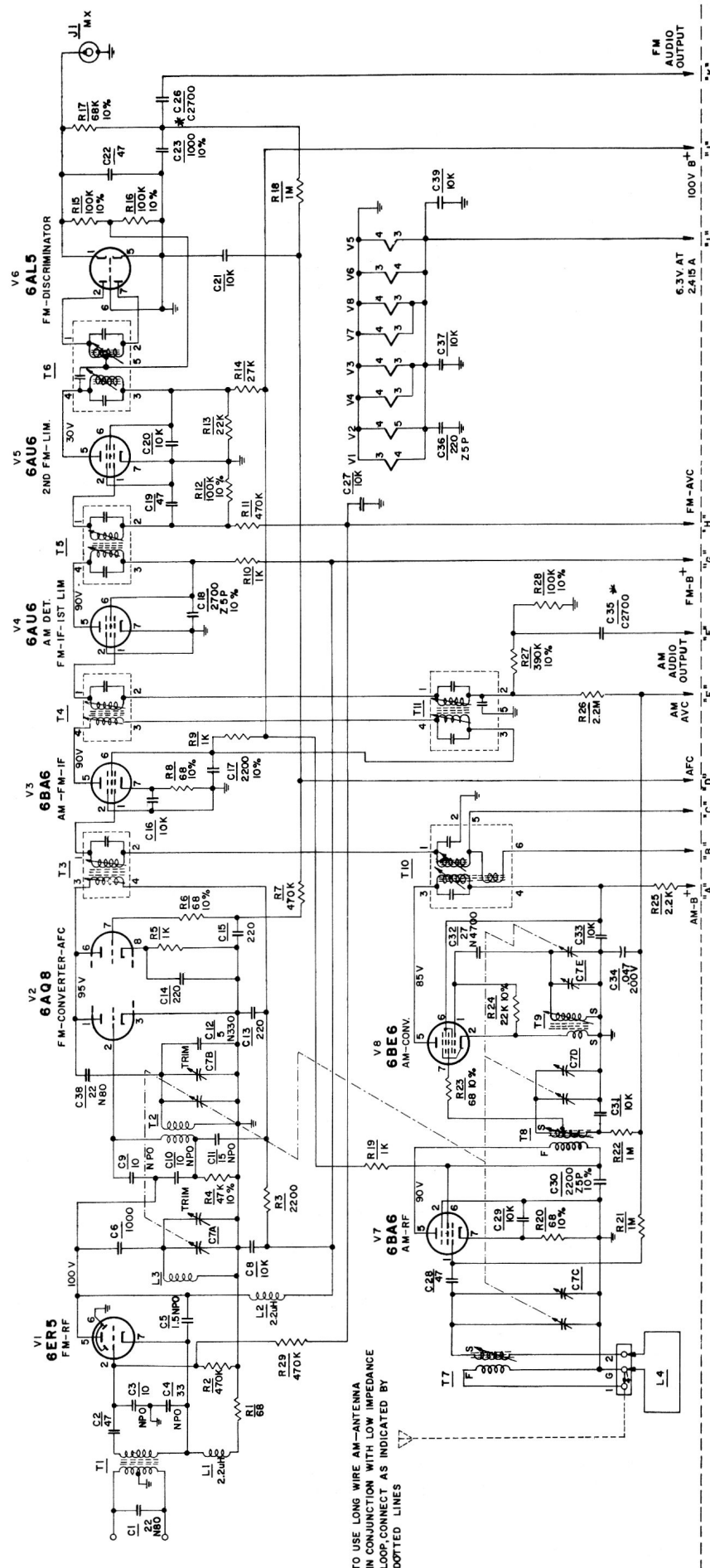
Service Replacement Parts List is the same as RCS-529 except:

CHANGER ASSEMBLY

Part No.	Description
16-120050-01	50 cycle hub
16-90024-03	Garrard Autoslim Changer
16-250018-01	Astatic 17D Replacement Cartridge
16-120028-07	Replacement Stylus N41SD

When writing for service information and/or parts, please quote Model Number, Serial Number and finish of cabinet. All information in this leaflet is up to date as of December 28, 1961. Subsequent changes are covered by bulletin.

THE T. EATON CO. LIMITED
C A N A D A



TO USE LONG WIRE AM-ANTENNA
IN CONJUNCTION WITH LOW IMPEDANCE
LOOP, CONNECT AS INDICATED BY
DOTTED LINES

LEGEND

RESISTORS:
 HALF WATT UNLESS OTHERWISE NOTED.
 * 1/2 WATT
 K=1,000 OHMS
 M=1,000,000 OHMS

CAPACITORS
 TUBULAR CAPACITY IN μ D., AND D.C.W.V.
 CURVED LINE-OUTSIDE FOIL
 * ELECTROLYTIC CAPACITY IN μ D., AND D.C.W.V.
 CERAMIC, MICA OR OTHER TYPES WITH NO
 OBVIOUS OUTSIDE OR GROUNDED SIDE
 CAPACITY IN μ D., TOLERANCE IF CRITICAL
 AND D.C.W.V.

SPECIAL CAPACITORS SUCH AS TEMPERATURE
 COMPENSATING TYPES ARE IDENTIFIED BY A
 NOTE AT CAPACITOR LOCATION.
 eg. O.F.= OIL FILLED
 S.M.= SILVER MICA
 M.= MICA
 NP= NON POLARIZED