

8 TUBE AM-FM RADIO PHONOGRAPH

FOR OPERATION ON 110-120V. A.C., CYCLE AS MARKED.

When writing for Service Information or Parts, please quote Model Number, Serial Number, Cycle and Finish of Cabinet.

All information printed in this leaflet is up to date as of August 25, 1961. Subsequent changes are covered by bulletin.

SPECIFICATIONS - AM-FM TUNER

Standard Broadcast Range - 535 to 1605 Kc.

Frequency Modulation Range - 88 to 108 Mc.

I.F. Frequency AM - 455 Kc.

FM - 10.7 Mc.

Sensitivity AM - 14 uv. for 100 mv. at Detector

FM - 3 uv. for 20 db quieting

Selectivity AM - 18 Kc. Bandwidth at 10X down. Tuner Selector

FM - 250 Kc. Bandwidth at 2X down. Switch at FM position

AMPLIFIER (Specifications per channel)

Frequency Response - 20 cps. to 50,000 cps. \pm 2db

POWER OUTPUT - 20 watts peak \pm 1 db

LEVEL BALANCE CONTROL DUAL ELEMENT FRICTION CLUTCH TYPE

Designed to provide 10 db lift at 30 cps. when control is 60° removed from CCW position with reference to response at 1000 cps, and at the same time provide 7 db lift at 15,000 cps.

BASS TONE CONTROL DUAL ELEMENT

Designed to provide 10 to 15 db cut and lift at 50 cps. Covers sound spectrum from 20 - 1000 cps.

TREBLE TONE CONTROL DUAL ELEMENT

Designed to provide 10 to 15 db cut and lift at 10,000 cps. Covers sound spectrum from 1000 to 15,000 cps.

Measurements with tone controls in flat position, level control fully clockwise.

THE T. EATON CO. LIMITED
C A N A D A

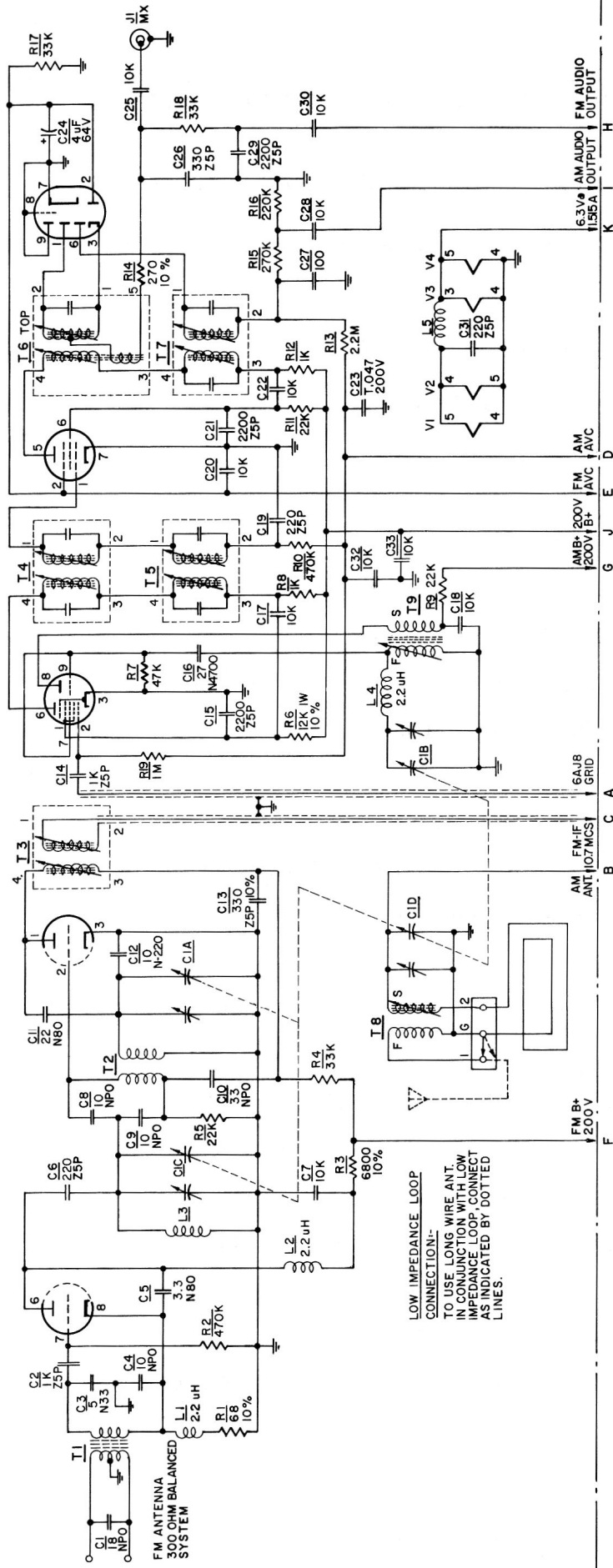
AM-FM TUNER

V1 FM CONVERTER
ECC85/6AQ8

V2 AM-CONV. 1ST FM IF
ECH81/6AJ8

V3 AM-FM IF
6BA6

V4 AM-FM DETECTOR
EABC80/6AK8



LOW IMPEDANCE LOOP CONNECTION:-
TO USE LONG WIRE ANT. IN CONNECTION WITH LOW IMPEDANCE LOOP, CONNECT AS INDICATED BY DOTTED LINES.

LEGEND:

RESISTORS

- HALF WATT UNLESS OTHERWISE NOTED.
- 20% TOLERANCE UNLESS OTHERWISE NOTED.
- K = 1,000
- M = 1,000,000

CAPACITORS

- TUBULAR, CAPACITY IN μ fd., AND DC.W.V.
- CURVED LINE, OUTSIDE FOIL.
- ELECTROLYTIC. CAPACITY IN μ fd., AND DC.W.V.
- CERAMIC, MICA OR OTHER TYPES WITH NO OBVIOUS OUTSIDE OR GROUND SIDE.
- CAPACITY IN μ fd., TOLERANCE IF CRITICAL AND DC.W.V.

SPECIAL CAPACITORS SUCH AS TEMPERATURE COMPENSATING TYPES ARE IDENTIFIED BY A NOTE AT CAPACITOR LOCATION.

- eg - OF = OIL FILLED
- SM = SILVER MICA
- M = MICA
- NP = NON POLARIZED
- TEMPERATURE COEFFICIENTS - (N.P.O., N-, P-)

NOTE:-

FOR ALIGNMENT INSTRUCTIONS SEE D.E.I. DRAWING NO.00-806-01.

00-463-01
ISSUE 1

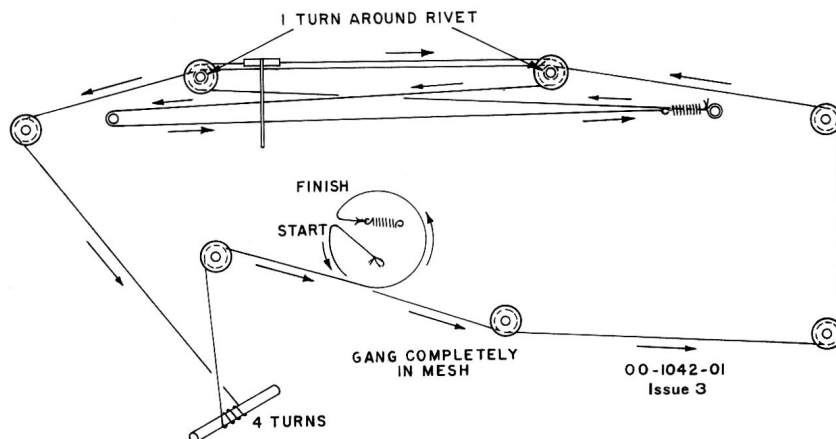
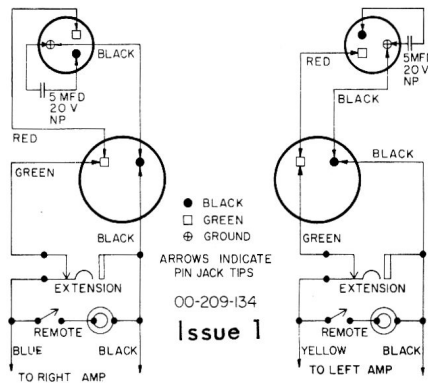
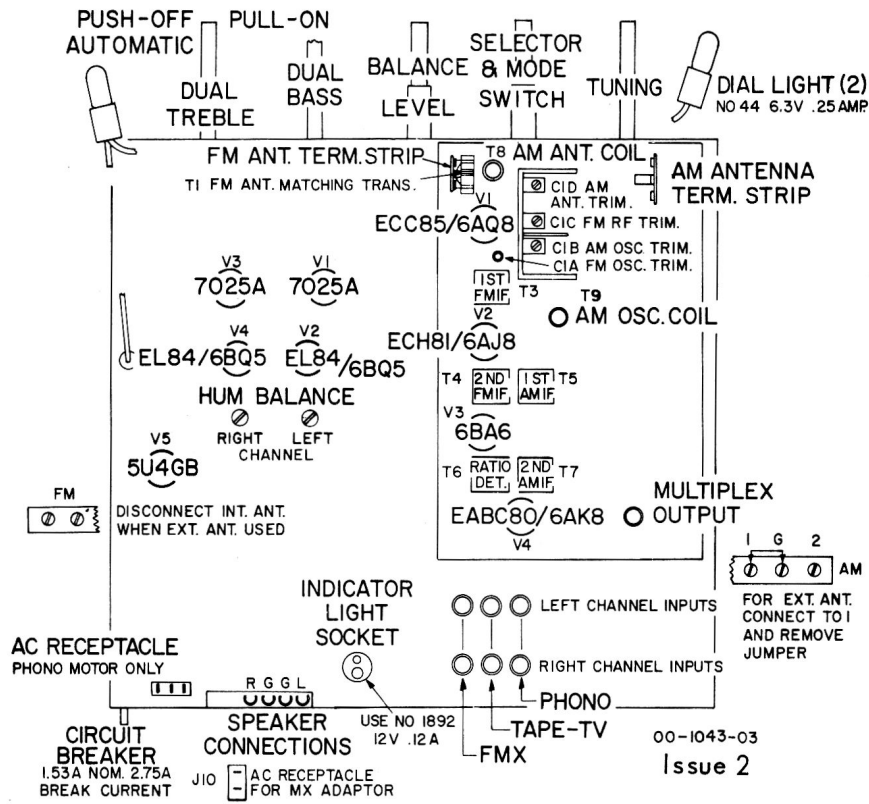
AM-FM TUNER ALIGNMENT

STEP	DUMMY ANTENNA	SIGNAL APPLIED TO	FREQ.	MODULATION	BAND SWITCH SETTING	DIAL POINTER SETTING	INDICATING METER	ADJUST	REMARKS	NOMINAL SENSITIVITY
1	.05 uf	Pin #1 V3 6BA6	455 Kc/s	400 C.P.S. AM at 30%	AM	600 Kc/s	AC-VTVM To Point 'I'	T7 2nd AM-IF	Adjust for maximum output	2500 uv. for 40 Mv. output
2	.05 uf	Pin #2 V2 6AJ8	455 Kc/s	400 C.P.S. AM at 30%	AM	600 Kc/s	AC-VTVM To Point 'I'	T5 1st AM-IF	Adjust for maximum output	25 uv. for 40 Mv. output
3	200 uuf	AM Ant. Term. Strip #1	600 Kc/s	400 C.P.S. AM at 30%	AM	600 Kc/s	AC-VTVM To Point 'I'	T9 and T8 AM-Osc. & AM Ant.	Connect for long wire ant. Adjust for Max. output. **	12 uv. for 40 Mv. output
4	200 uuf	AM Ant. Term. Strip #1	1400 Kc/s	400 C.P.S. AM at 30%	AM	1400 Kc/s	AC-VTVM To Point 'I'	C1B & C1D Trimmers	Connect for long wire ant. Adjust for Max. output. **	15 uv. for 40 Mv. output
5	Repeat steps 3 and 4, check band coverage at 535 Kc/s - 1650 Kc/s and for tracking at 950 Kc/s.									
6	-	Pin #2 V2 6AJ8	10.7 Mc/s	-	FM	Point of no Inter- ference	DC-VTVM Pin #2 T5	T4 2nd. FM-IF	Adjust for maximum meter deflection	9000 uv. for 1 volt.
7	-	C1C FM Gang	10.7 Mc/s	-	FM	Point of no Inter- ference	DC-VTVM Pin #2 T5	T3 1st. FM-IF	Adjust for maximum meter deflection	2500 uv. for 3 volts.
8	-	Pin #2 V2 6AJ8	10.7 Mc/s	-	FM	Point of no Inter- ference	DC-VTVM Junction R14 and C26	T6 Primary Bottom Wdg.	Adjust for maximum meter deflection	2500 uv. for 3 volts.
9	-	Pin #2 V2 6AJ8	10.7 Mc/s	-	FM	Point of no Inter- ference	" ***	T6 Secondary Top Wdg.	Adjust for zero voltage	40 uv. for 100 Mv.
10	*	FM-Ant. Term.	90 Mc/s	22.5 Kc/s Dev. @ 400 C.P.S.	FM	90 Mc/s	AC-VTVM to Point 'H'	L3 and T2 FM-RF and Osc. Coils	Adjust for maximum output	50 uv. for 100 Mv.
11	*	FM-Ant. Term.	106 Mc/s	22.5 Kc/s Dev. @ 400 C.P.S.	FM	106 Mc/s	AC-VTVM to Point 'H'	C1C & C1A trimmers	Adjust for maximum output	5-6 uv.
12	Repeat steps 10 and 11 and check for 20 db. quieting sensitivity.									

* For FM Dummy antenna connect one 150 ohms carbon resistor from grounded side of sig. gen. to ant. term. and one 120 ohm carbon resistor from hot side of sig. gen. to ant. term.

** For AM-RF alignment purpose. The low impedance loop, installed in the cabinet or its electrical equivalent must be connected to the set as shown in the schematic.

*** With ground lead of DC-VTVM connected to junction of two 100K ohm resistors, which are to be connected across C24.



SERVICE REPLACEMENT PARTS LIST

RCS-506

Part No.	Description
16-120025-01	50 cycle Rubber Drive Wheel (50 cycle only)
16-120026-01	50 cycle Motor Pulley - Yellow
16-120026-02	50 cycle Motor Pulley - Black
16-120026-03	50 cycle Motor Pulley - Silver
16-120026-04	50 cycle Motor Pulley - Blue
16-120047-01	45 RPM Inserts
19-30003-05	3½" PM Speaker - 8 ohm VC
19-80006-03	8" PM Speaker - 8 ohm VC
27-7-03	Pilot lamp 12V .12A No. 1892
30-203-01	Control Panel
53-485-03	Switch Knob (Mode Selector, Level - Balance)
53-503-02	Control Panel Retaining Strip
53-507-04	Knob Tuning
53-507-07	Knob - Bass, Treble
53-507-08	Knob - Selector, Level-Balance

AMPLIFIER CHASSIS ASSEMBLY

Symbol	Part No.	Description
T3	24-10033-01	Power Transformer 60 cycle (50/60 cycle models)
T3	24-20033-01	Power Transformer 25 cycle (25 cycle models only)
T1, T2	24-80042-01	Audio Output Transformer 8 ohm VC
CB1	26-65-03	Circuit Breaker 2.5 amp.
SW1	26-90-01	Selector and Mode Switch
	27-1-01	Pilot Lamp 6-8V No. 44 .25 A
	34-138-08	Line Cord and Plug Assembly 8'
R7, R23	41-100-07	Control Dual Bass 2 meg.
R2, R18	41-122-06	Control - Dual - Level Balance 1 M
R5, R21, SW3	41-170-02	Control Dual Treble and Push-Pull Switch
R35	42-21-56	Resistor - W.W. 8000 ohm ± 10%
R38	42-21-62	Resistor - W.W. 100 ohm ± 10% 5W
C22	44-112-01	Electrolytic - Triple 40,80,40 ufd. x 350 V
C19	44-118-01	Electrolytic 40,40,40 ufd. x 350 V
R36, R37	42-21-85	Resistor - W.W. 5W 700 ohm ± 10%
C2, C12	48-G-629-7	Condenser Paper Tubular (Special .01 ufd. ± 10% 200 volts)

TUNER PLATTER CHASSIS ASSEMBLY

Symbol	Part No.	Description
L5	21-300-01	Heater Choke
T8	21-410-04	BC Antenna Coil
T9	21-421-01	BC Oscillator Coil
T5, T7	21-432-02	FM IF Transformer 1st. and 2nd.
T4	21-433-02	FM IF Transformer 2nd.
T3	21-433-05	FM IF Transformer 1st.
L1, L2, L4	21-439-02	RF Choke 2.2 uh.
T6	21-441-01	Ratio Detector
T2	21-445-01	FM Feedback Coil
T2	21-467-01	FM Oscillator Coil
L3	21-477-01	FM RF Coil
T1	21-471-01	FM Antenna Matching Transformer
C24	44-88-01	Electrolytic Single Tubular 4 ufd. x 64 WV
	45-52-01	AM-FM Gang Condenser
	45-36-01	FM Trimmer