

VIKING SERVICE INFORMATION FOR MODEL

RCS-472
RCS-473

For Operation on 110-120 Volts A.C. Cycle as Marked.

When writing for Service Information or Parts please quote Model Number, Serial Number and finish of cabinet.
All information printed in this leaflet is up to date as of Oct. 5, 1960.
Subsequent changes are covered by bulletin.

SPECIFICATIONS

Standard Broadcast Range 535 to 1650 Kc.

Frequency Modulation Range 88 to 108 Mc.

Band Width	AM Distant & Day	10 Kc.	Band Width at 2X Down
		19 Kc.	Band Width at 10X Down
	AM Hi-Fi	22.5 Kc.	Band Width at 2X Down
		35 Kc.	Band Width at 10X Down
	FM	350 Kc.	Band Width at 10X Down

Sensitivity ... AM—2.5 uv for 100 mv at Detector
2.5 uv for 20 mv at Audio Take Off Point.

FM—1.75 uv for 20 db quieting
3.5 uv for 30 db quieting

AMPLIFIER (Specifications per channel)

Frequency Response - 20 cps. to 50,000 cps. \pm 2db
POWER OUTPUT - 20 watts peak \pm 1db

LEVEL BALANCE CONTROL DUAL ELEMENT FRICTION CLUTCH TYPE

Designed to provide 10 db lift at 30 cps. when control is 60° removed from CCW position with reference to response at 1000 cps, and at the same time provide 7 db lift at 15,000 cps.

BASS TONE CONTROL DUAL ELEMENT

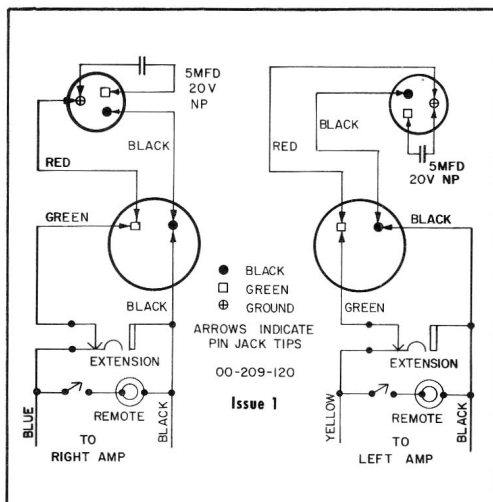
Designed to provide 10 to 15 db cut and lift at 50 cps. Covers sound spectrum from 20-1000 cps.

TREBLE TONE CONTROL DUAL ELEMENT

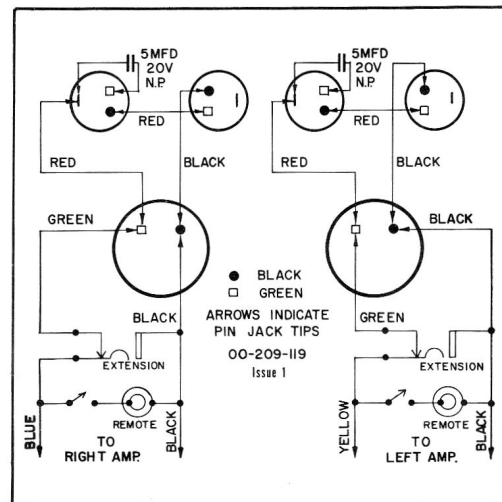
Designed to provide 10 to 15 db cut and lift at 10,000 cps. Covers sound spectrum from 1000 to 15,000 cps.

Measurements with tone controls in flat position, level control fully clockwise.

SPEAKER CONNECTIONS



RCS-472 ONLY



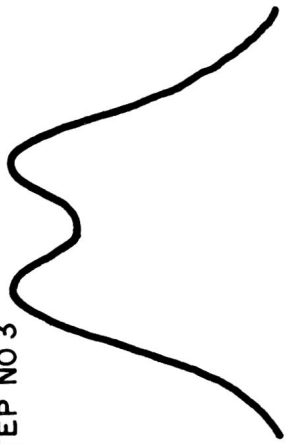
RCS-473 ONLY

THE T. EATON CO. LIMITED
CANADA



AM-FM TUNER ALIGNMENT

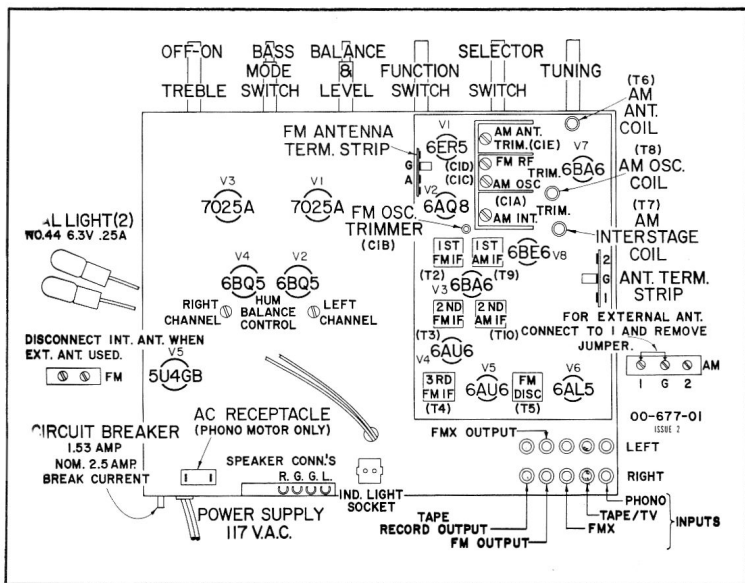
STEP NO 3



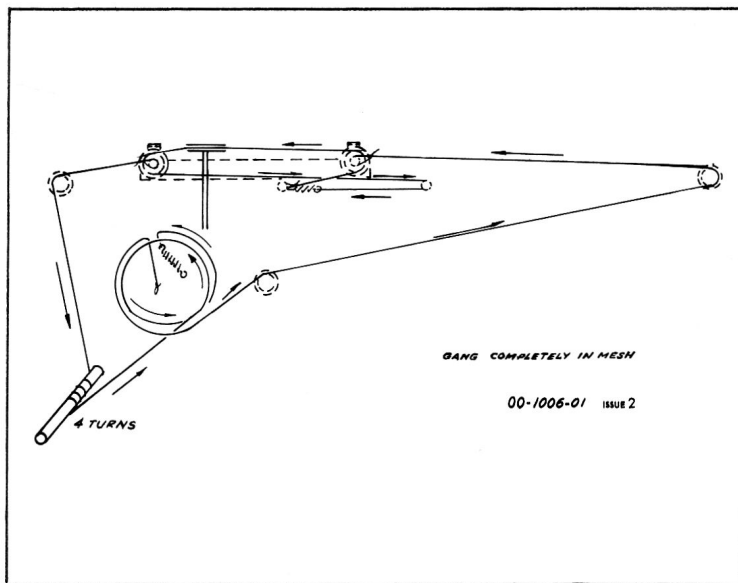
435 445 455 465 475 KC/S

STEP	DUMMY ANTENNA	SIGNAL APPLIED TO	FREQ.	MODULATION	BAND SWITCH SETTING	DIAL POINTER SETTING	INDICATING METER	ADJUST	REMARKS	NOMINAL SENSITIVITY
1	.05 uf	Pin No. 1 V3 6BA6	455 Kc/s	400 c.p.s. AM at 30%	AM	600 Kc/s	AC-VTVM To Point "E,"	T10 2nd. AM-IF	Adjust for maximum output.	4000 uv for 20 mv output
2	.05 uf	Pin No. 7 V8 6BE6	455 Kc/s	400 c.p.s. AM at 30%	AM	600 Kc/s	AC-VTVM To Point "E,"	T9 1st. AM-IF	Adjust for maximum output.	300 uv for 20 mv output
3	Change Band Switch to (AM-Hi-Fi) Tune Signal Generator across 440-470 Kc/s Frequency Range and check for approx. response curve as shown. This test should preferably be made with a proper sweep generator and scope.									
4	200 uuf	AM Ant. Term. Strip No. 1	600 Kc/s	400 c.p.s. AM at 30%	AM	600 Kc/s	AC-VTVM To Point "E,"	T6, T7 and T8	Connect for long wire antenna, adjust for maximum output.	2.5 mv for 20 mv output
5	200 uuf	AM Ant. Term. Strip No. 1	1460 Kc/s	400 c.p.s. AM at 30%	AM	1460 Kc/s	AC-VTVM To Point "E,"	C1E, C1A and C1C Trimmers	Connect for long wire antenna, adjust for maximum output.	1.8 mv for 20 mv output
6	Repeat steps 3 and 4, check for band coverage at 535 Kc/s - 1650 Kc/s and for tracking at 950 Kc/s.									
7	-	Pin No. 1 V4 6AU6	10.7 Mc/s	-	FM	Point of no Interference	DC-VTVM To Point "G,"	T4 3rd. FM-IF	Adjust for maximum meter deflection.	15000 uv for 1V output
8	-	Pin No. 1 V3 6BA6	10.7 Mc/s	-	FM	Point of no Interference	DC-VTVM To Point "G,"	T3 2nd. FM-IF	Adjust for maximum meter deflection.	250 uv for 1V output
9	-	C1D FM Gang	10.7 Mc/s	-	FM	Point of no Interference	DC-VTVM To Point "G,"	T2 1st. FM-IF	Adjust for maximum meter deflection.	-
10	-	Pin No. 1 V4 6AU6	10.7 Mc/s	-	FM	Point of no Interference	DC-VTVM to Pin No. 5 of T5	T5 FM Discriminator Primary	Adjust for maximum meter deflection.	10000 uv for 3V output
11	-	Pin No. 1 V4 6AU6	10.7 Mc/s	-	FM AFC	Point of no Interference	DC-VTVM To Point "C,"	T5 FM Discriminator Secondary	Adjust for zero voltage.	-
12	270 ohms	FM Ant. Term. Strip	90 Mc/s	400 c.p.s. FM 22.5 Kc/s Deviation	FM	90 Mc/s	AC-VTVM To Point "J,"	Expand or compress L3 and T1	Adjust for maximum output.	3 uv for 100 mv output
13	270 ohms	FM Ant. Term. Strip	106 Mc/s	400 c.p.s. FM 22.5 Kc/s Deviation	FM	106 Mc/s	AC-VTVM To Point "J,"	C1B and C1D Trimmers	Adjust for maximum output.	2.5 uv for 100 mv output
14	Repeat steps 11 and 12 until output drops at least 20 db. when mod. is turned off.									
NOTE: To achieve more accurate alignment of FM IF's and Discriminator it is preferable to use a proper sweep generator and oscilloscope.										

AM-FM TUNER & PREAMPLIFIER



Amplifier



Stringing Detail

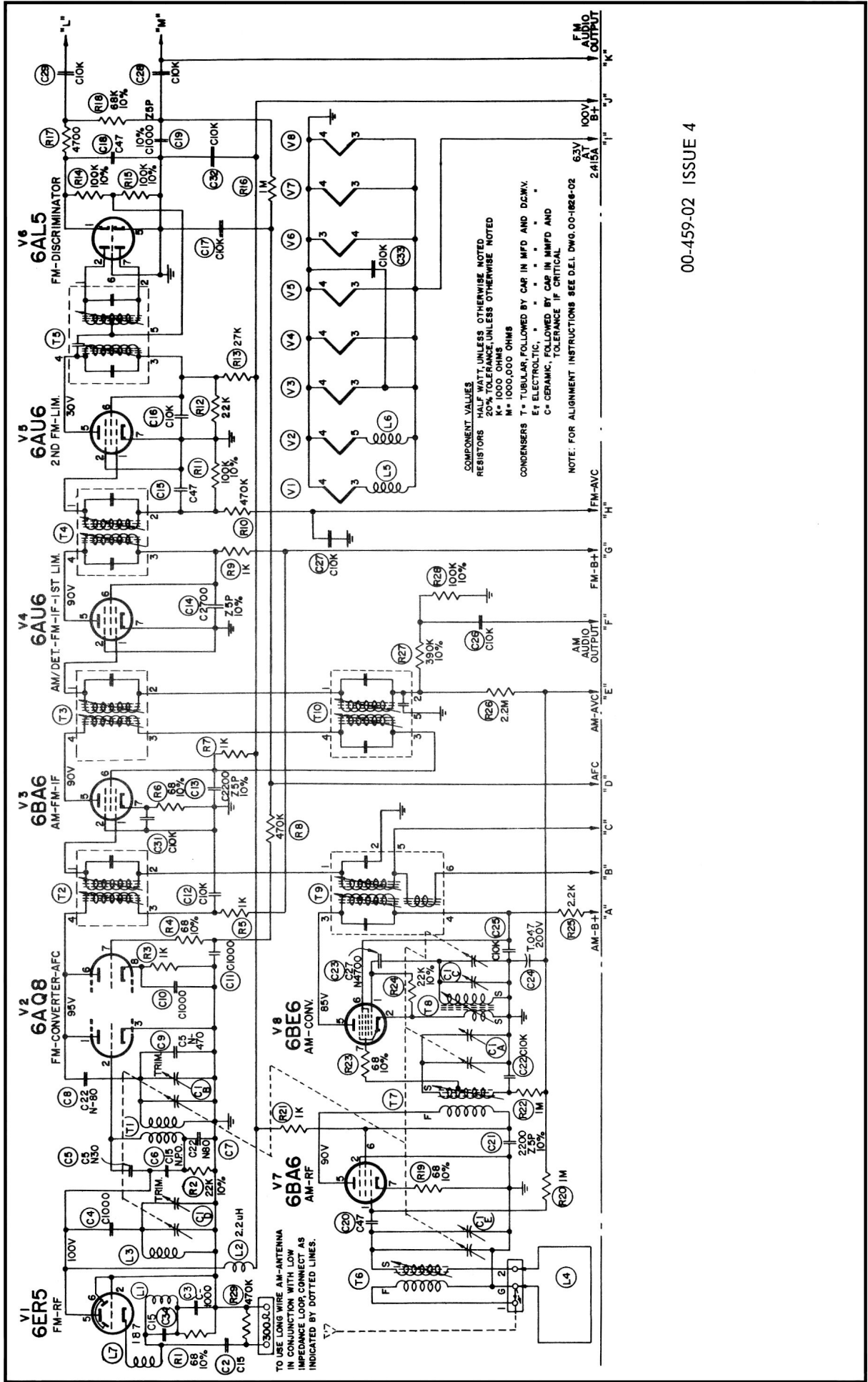
TUNER PLATTER CHASSIS

Symbol	Part No.	Description
T7	21-428-03	BC Interstage Coil
T9	21-431-01	AM IF Transformer 1st.
L7	21-300-01	Coil RF Low Pass Filter
L5, L6, L1	21-300-02	RF Heater Choke & Peaking Coil
L2	21-439-02	RF Choke 2.2 uh
T6	21-410-01	BC Antenna Coil
T5	21-455-01	Discriminator Transformer FM
T8	21-421-01	BC Oscillator Coil
T2	21-433-01	FM IF Transformer 1st.
T3	21-433-02	FM IF Transformer 2nd.
T4	21-433-03	FM IF Transformer 3rd.
L3	21-458-01	FM RF Coil
T1	21-457-01	FM Oscillator Coil
T1	21-445-02	FM Feedback Coil
T10	21-432-04	AM IF Transformer 2nd.
C1	45-31-01	AM-FM Gang Condenser
C1B	45-36-01	FM Trimmer

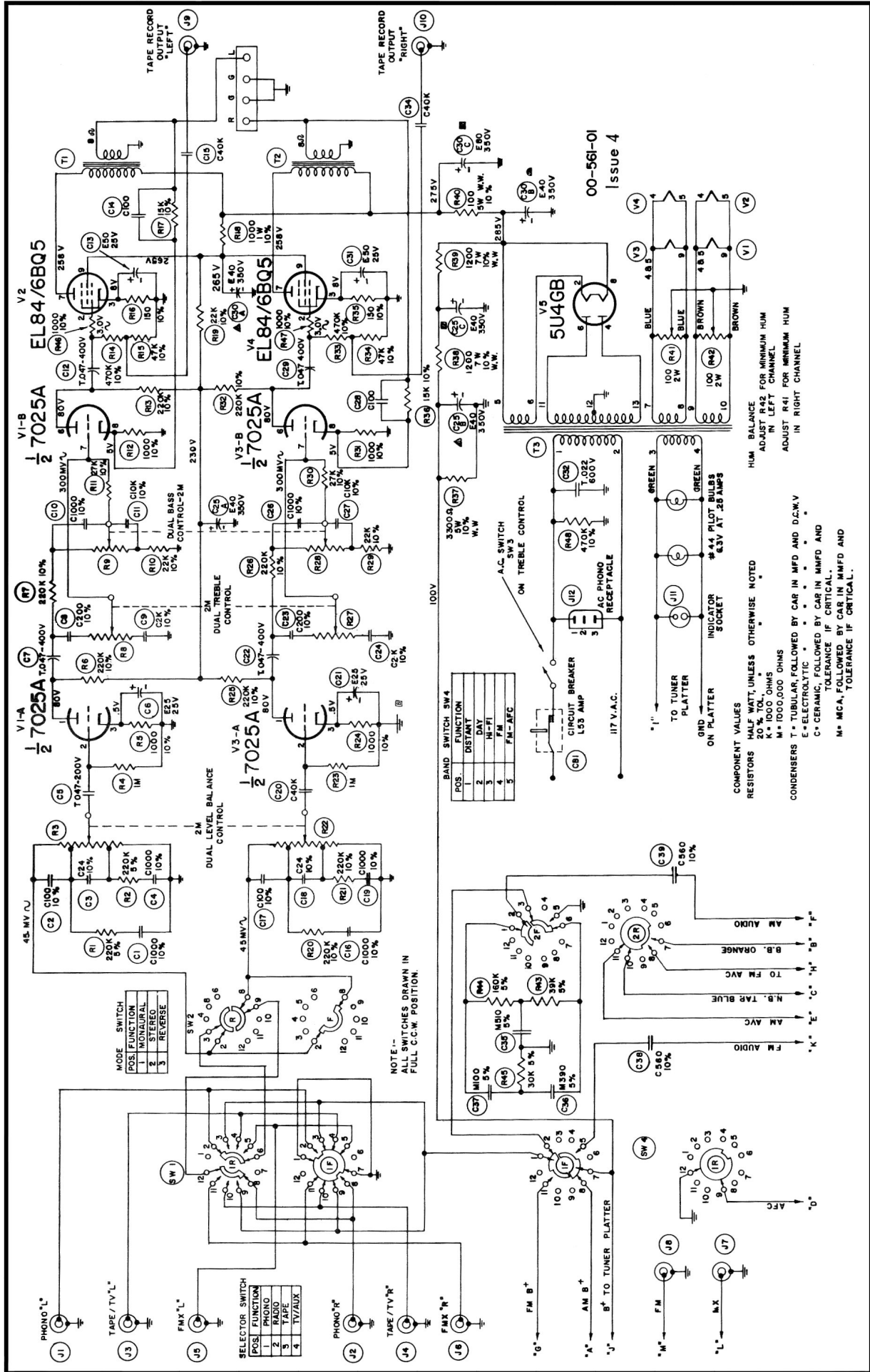
AMPLIFIER

T3	24-10065-01	Power Transformer 50/60 cycle
T1, T2	24-80051-01	Output Transformer
SW1	26-54-02	Selector Switch
CB1	26-65-03	Circuit Breakers
SW4	26-69-01	Selector Switch (Band)
	35-519-01	Drive Shaft
	35-520-01	Drive Shaft Bushing
	35-602-01	Pointer Carriage
	35-876-01	Backing Plate - Rear
R8, R27, SW3	41-110-04	Control - Dual, Treble & Off-On Switch
R9, R28, SW2	41-114-01	Control - Dual, Bass & Selector
R3, R22	41-161-01	Control - Dual, Balance-Level - 2 meg.
C13, C31	44-40-04	Electrolytic 50 ufd, x 25V
C6, C21	44-70-01	Electrolytic 25 ufd. x 25V
C30	44-112-01	Electrolytic Triple 40,80,40 ufd. x 350V
C25	44-118-01	Electrolytic Triple 40,40,40 ufd. x 350V

AM-FM TUNER SCHEMATIC



AMPLIFIER SCHEMATIC



REPLACEMENT PARTS LIST

RCS-472, 473

FINAL ASSEMBLY

Part No.	Description
16-90018-01	Garrard Model 210 Changer
16-250015-02	Acos GP73-1A Stereo Cartridge
19-30003-01	Speaker Tweeter 3½" 4 ohm VC RCS473
19-50001-03	Speaker Tweeter 5" 8 ohm VC RCS472
19-100006-02	Speaker Woofer 10" 8 ohm VC
30-148-01	Backing Plate Printed
30-149-01	Control Panel Glass
35-459-01	Sliding Pointer
53-142-01	Viking Ship Medallion
53-485-03	Switch Knob (Level & Balance, Bass & Mode)
53-489-01	Glass Retaining Strip
53-490-01	Knob - Tuning
53-490-04	Knob - Selector Function, Off-Treble
53-490-05	Knob - (Level and Balance) Bass & Mode