

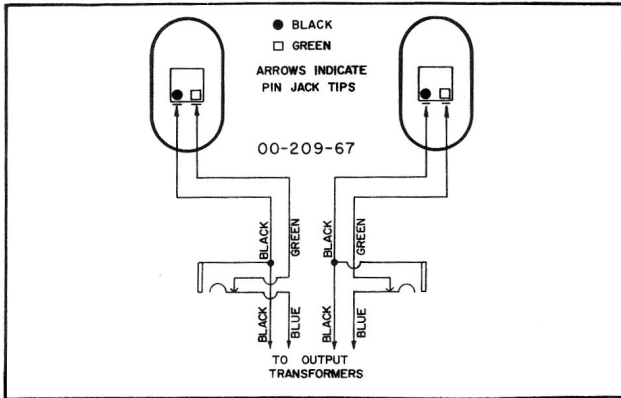
VIKING Service Information for Models

RCS-404
RCS-405

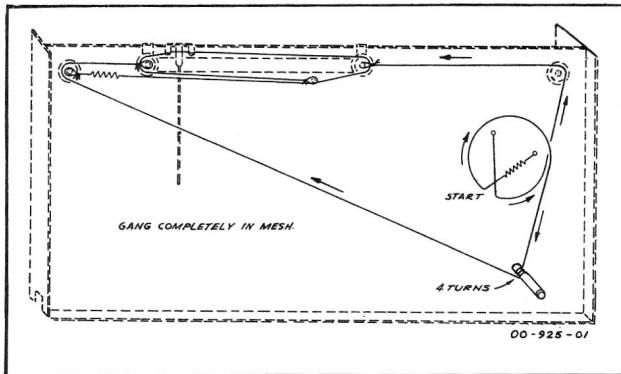
For Operation on 110-120 Volts A.C. Cycle as Marked

When writing for Service Information or Parts please quote Model Number, Serial Number and finish of cabinet.

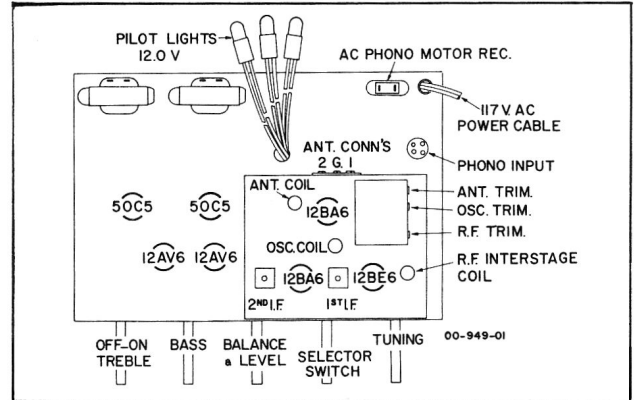
SPEAKER CONNECTIONS



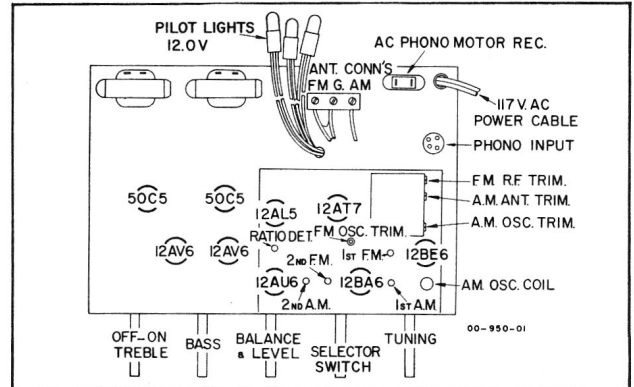
STRINGING DETAIL



CHASSIS LAYOUTS



RCS-404



RCS-405

SPECIFICATIONS

AMPLIFIER - (Specifications per channel)

Frequency Response - 200cps to 9,000cps \pm 2db

Peak Power Output - 1 1/2 Watts

FOR ALIGNMENT AND SENSITIVITY DATA OF TUNER, SEE SCHEMATIC.

All information printed in this leaflet is up to date as of August 18, 1959

Subsequent changes are covered by bulletin.

AM - FM TUNER RCS-405

A.M. Tuning Band - 535 to 1605Kc.

F.M. Tuning Band - 88 to 108Mc.

A.M. I. F. Frequency - 455Kc.

F.M. I. F. Frequency - 10.7Mc.

AM TUNER RCS-404

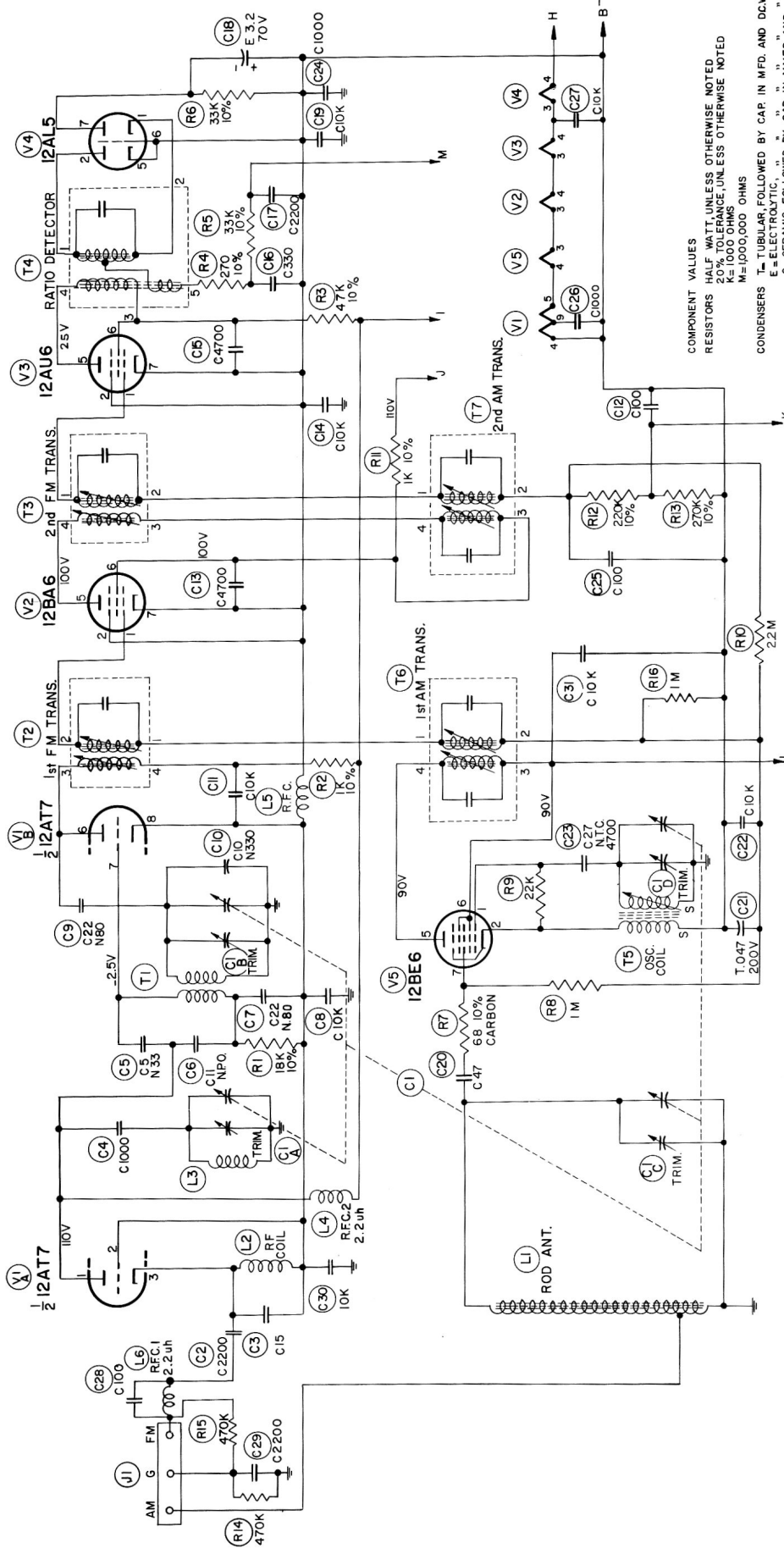
Tuning Range - 535 to 1605Kc.

I. F. Frequency -- 455Kc.

THE T. EATON CO LIMITED
CANADA



AM-FM TUNER RCS-405



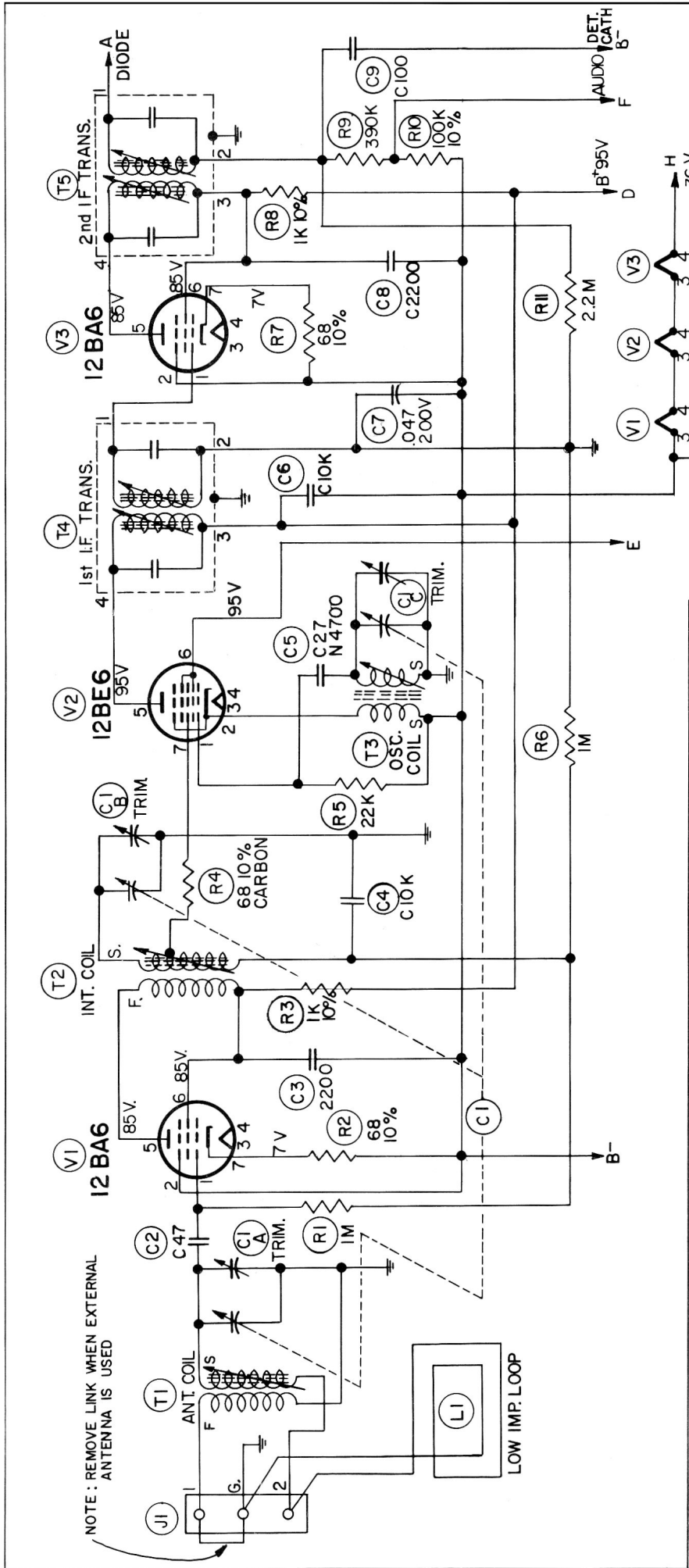
COMPONENT VALUES
 RESISTORS HALF WATT, UNLESS OTHERWISE NOTED
 20% TOLERANCE, UNLESS OTHERWISE NOTED
 CAPACITORS 50% TOLERANCE, UNLESS OTHERWISE NOTED
 M=1000, 000 OHMS
 CONDENSERS T= TUBULAR, FOLLOWED BY CAP. IN MFD. AND DC.W.V.
 E= ELECTROLYTIC, FOLLOWED BY CAP. IN MMFD. AND " " TOLERANCE.
 C= CERAMIC, FOLLOWED BY CAP. IN MMFD. AND " " TOLERANCE.
 M= MICA, FOLLOWED BY CAP. IN MMFD. AND TOL. IF CRITICAL

00-440-01

ALIGNMENT AND SENSITIVITY SIGNAL GENERATOR MODULATED 30% AT 400 CYCLES			
STEPSIGNAL APPLIED TO	FREQUENCY	OUTPUT INDICATING METER	REMARKS
1	455 KC/S 30% AT 400 CYCLES	AC V.T.V.M. AM DET. LOAD	ADJUST. FOR MAX. DEFLECTION
2	455 KC/S 30% AT 400 CYCLES	AC V.T.V.M. AM DET. LOAD	ADJUST. FOR MAX. DEFLECTION
3	600 KC/S 30% AT 400 CYCLES	DC V.T.V.M. AM DET. LOAD	ADJUST. FOR MAX. DEFLECTION
4	107 MC/S CW	DC V.T.V.M. AM DET. LOAD	ADJUST. FOR MAX. DEFLECTION
5	"	DC V.T.V.M. PIN 7, 12AL5	RATIO DET. PRIMARY
6	"	DC V.T.V.M. PIN 7, 12AL5	RATIO DET. SECONDARY
7	90 MC/S	AC V.T.V.M. FM DET. OUTPUT	ADJUST. FOR MAX. DEFLECTION
8	106 MC/S	AC V.T.V.M. FM DET. OUTPUT	ADJUST. FOR MAX. DEFLECTION
*CONNECT HIGH SIDE OF DC.V.T.V.M. TO FM DET. OUTPUT AND LOW SIDE TO JUNCTION OF TWO 100KΩ RESISTORS CONNECTED IN SERIES ACROSS RATIO DET. STABILIZING CAPACITOR			

WIRING DIAGRAM
 AM-FM TUNER PLATTER
 SCALE DATE DRAWN BY CHECK APPROVE
 COMMON ELECTROPHONE INDUSTRIES LIMITED
 KITCHENER CANADA
 PART NO: 00-440-01

AM TUNER RCS-404



NOTE: REMOVE LINK WHEN EXTERNAL ANTENNA IS USED

ALIGNMENT AND SENSITIVITY SIGNAL GENERATOR MODULATED 30% AT 400 CYCLES

STEP	APPLY SIGNAL AT KC	THRU SERIES DUMMY	SET GANG AT K.C.	ADJUST FOR MAX. OUTPUT	NOMINAL SENSITIVITY FOR 500 MILLIWATTS OUTPUT	100MV. AT DIODE LOAD VOLUME CONTROL DOWN
1	455	PIN 1 12BA6	.05	SLUGS T5		7000 uV
2	455	PIN 7 12BE6	.05	SLUGS T4 AND REPEAT STEP 1		300 uV
3	1460	EXT. ANT. CONNECT	200 uufd	C1c TRIMMER		
4	600	EXT. ANT. CONNECT	200 uufd	T3 SLUGS AND REPEAT STEPS 5&6		2.5 uV
5	1460	EXT. ANT. CONNECT	200 uufd	C1a AND C1b TRIMMERS		
6	600	EXT. ANT. CONNECT	200 uufd	SLUGS T1 AND T2 REPEAT STEPS 5&6		2.5 uV
7	535 950 1605	EXT. ANT. CONNECT	200 uufd	TUNE THRU CHECK ONLY		

COMPONENT VALUES

RESISTORS HALF WATT, UNLESS OTHERWISE NOTED.
20% TOLERANCE, UNLESS OTHERWISE NOTED
K= 1000 OHMS
M= 1000,000 OHMS

CONDENSERS T= TUBULAR, FOLLOWED BY CAP. IN MFD AND D.C.W.V.
E= ELECTROLYTIC, " " " " "
C= CERAMIC, FOLLOWED BY CAP IN MMFD AND TOLERANCE IF CRITICAL

NOTE: SUB CHASSIS OF TUNER CONNECTED TO A.V.C. AND INSULATED FROM MAIN CHASSIS.

TOLERANCE UNLESS OTHERWISE SPECIFIED
FRACTIONS-
DECIMALS-

MODEL FIRST USED OR:
RCS-406

NAME WIRING DIAGRAM
AC-DC AM PLATTER

SCALE 1/2"=1" DRAWN BY JK CHECK JK APPROVED JK
DATE 2-24-59

DOMINION ELECTROHOME INDUSTRIES LIMITED
KITCHENER CANADA

ISSUE 2 PART NO. 00-441-01

CN. N°	DATE	CHANGE	CHECK
155-3	9-17-59	ADDED NOTE: SUB CHASSIS ETC., GROUND ADDED BETWEEN R6 (R1)	JK
155-2	4-8-59	V1, V2, V3 WERE 60.....	JK
			CHECK

REPLACEMENT PARTS LIST

FINAL ASSEMBLY

16-90010-05	BSR - UA8 Changer Assembly
16-250013-04	BSR Stereo Cartridge
16-120036-01	.7 MIL Sapphire Stylus
16-120017-02	3 MIL Sapphire Stylus
16-130030-01	BSR 45 RPM Spindle
19-70009-01	4" X 8" PM Speaker 2 used
51-1-01	Loop Antenna RCS-405 only
53-10-02	Escutcheon
53-46-03	Knob - Tuning
53-46-09	Knob 3 used
53-46-10	Knob - Front
53-428-01	Knob - Rear

RCS-405 AM/FM TUNER PLATTER

21-300-03	FM RF Peaking Coil L2 B NEG Choke L5
21-421-01	BC Oscillator Coil T5
21-432-02	AM IF Transformer T6, T7
21-433-01	FM IF Transformer T2
21-433-02	FM IF Transformer T3
21-439-02	RF Choke 2.2 uh L4, L6
21-441-01	Ratio Detector T4
21-444-01	FM Oscillator Coil T1
21-445-01	FM Oscillator Feedback T1
21-449-01	FM RF Coil L3
44-88-01	Miniature Electrolytic 3.2 ufd X70 Volts
45-38-01	AM/FM Gang Condenser

RCS-404 AM TUNER PLATTER

21-410-03	BC Antenna Coil
21-421-01	BC Oscillator Coil
21-428-01	BC Interstage Coil
21-432-01	AM IF Transformer
45-33-01	AM Gang Condenser

4 TUBE 3 WATT AMPLIFIER COMPONENTS

24-80044-01	Audio Output Transformer
26-44-01	Selector Switch RCS-404
26-45-01	Selector Switch RCS-405
27-7-01	Pilot Lamp
28-10-01	Silicon Rectifier
30-106-01	Dial Scale RCS-404
30-107-01	Dial Scale RCS-405
41-120-01	Dual Control - Treble - off-on
41-121-01	Dual Control - Bass
41-108-03	Dual Control - Balance - Level
44-40-04	Single Electrolytic 50 ufd X 25 Volts
44-87-01	Electrolytic 40-40-80-100 ufd X 150 Volts
51-25-01	Rod Antenna RCS-405