

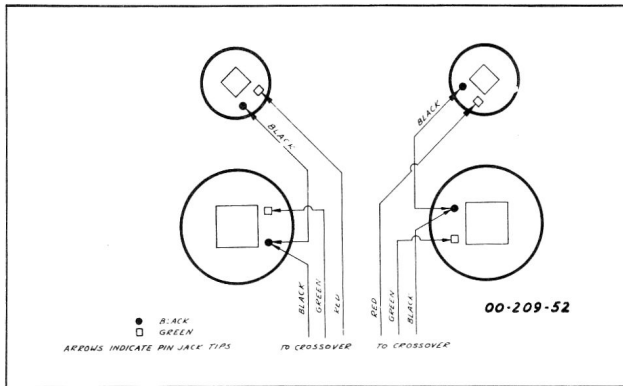
VIKING Service Information for Models

RCS-388
RCS-389

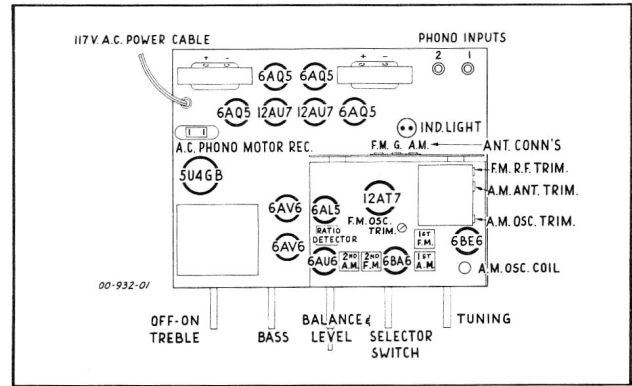
For Operation on 110-120 Volts A.C. Cycle as Marked

When writing for Service Information or Parts please quote Model Number, Serial Number and finish of cabinet.

SPEAKER CONNECTIONS

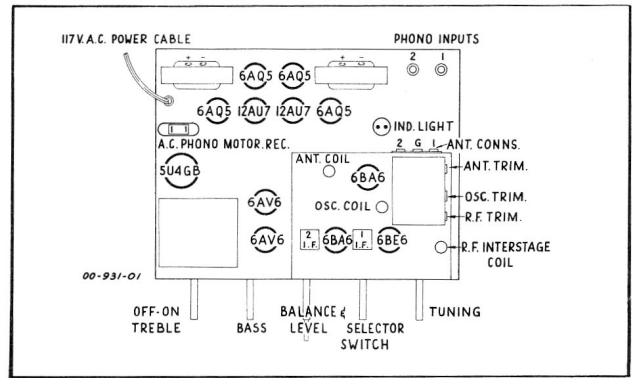
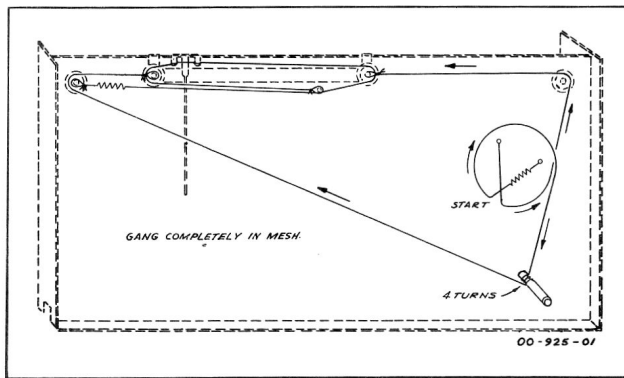


CHASSIS LAYOUTS



RCS-388

STRINGING DETAILS



RCS-389

SPECIFICATIONS

AMPLIFIER

Frequency Response - 50 cps. to 15,000 cps
Power Output - 12 Watts Peak

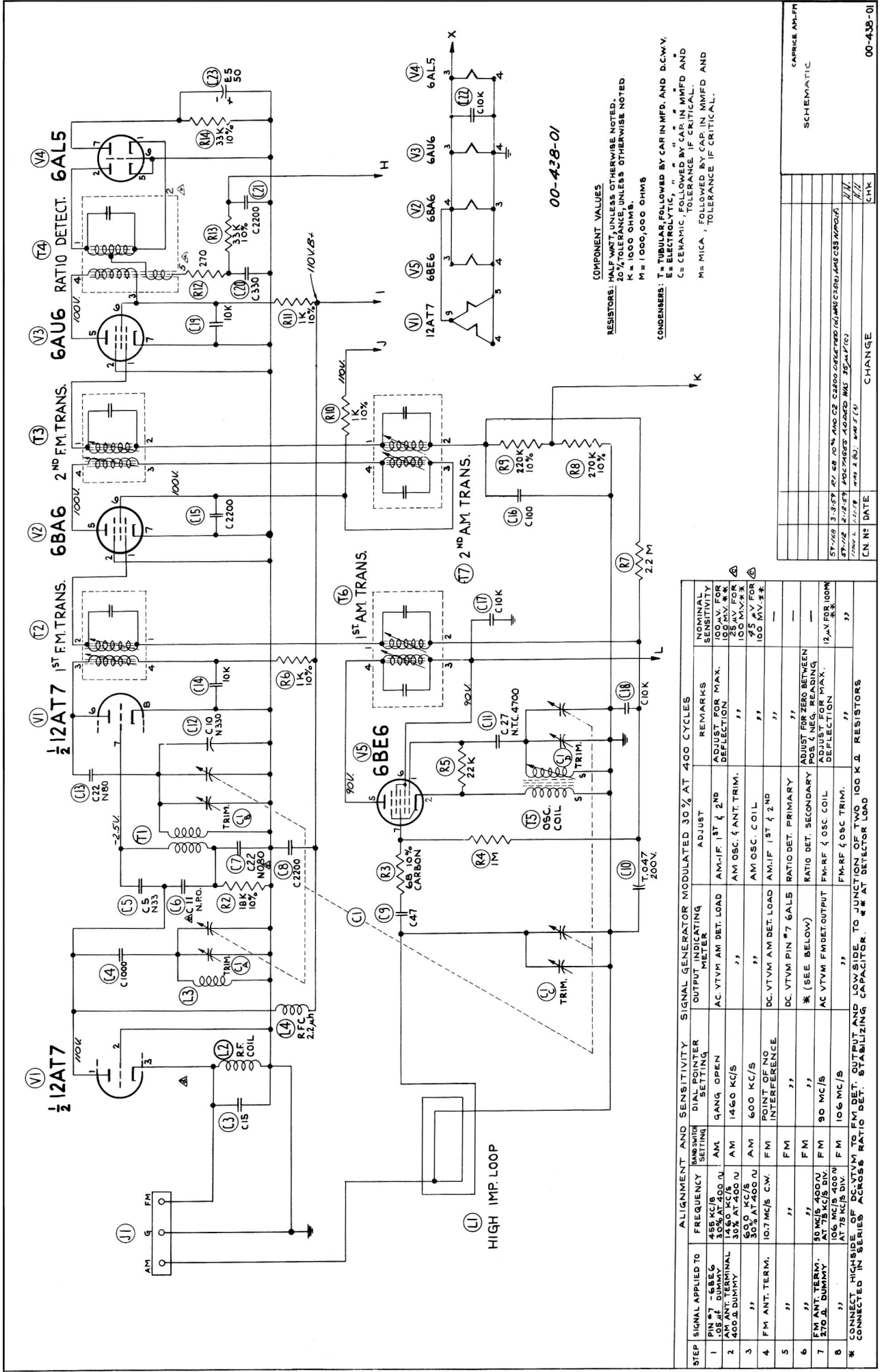
AM AND AM-FM TUNER

Standard Broadcast Range — 535 to 1605 Kc.
(Frequency Modulation Range — 88 to 108 Mc.)
I.F. Frequency AM — 455 Kc.
FM — 10.7 Mc.

Sensitivity AM 2.5 uv. for 100 mv. at Detector.
FM 12 uv for 100 mv. at Detector.

THE T. EATON CO LIMITED
CANADA

AM-FM TUNER RCS-388



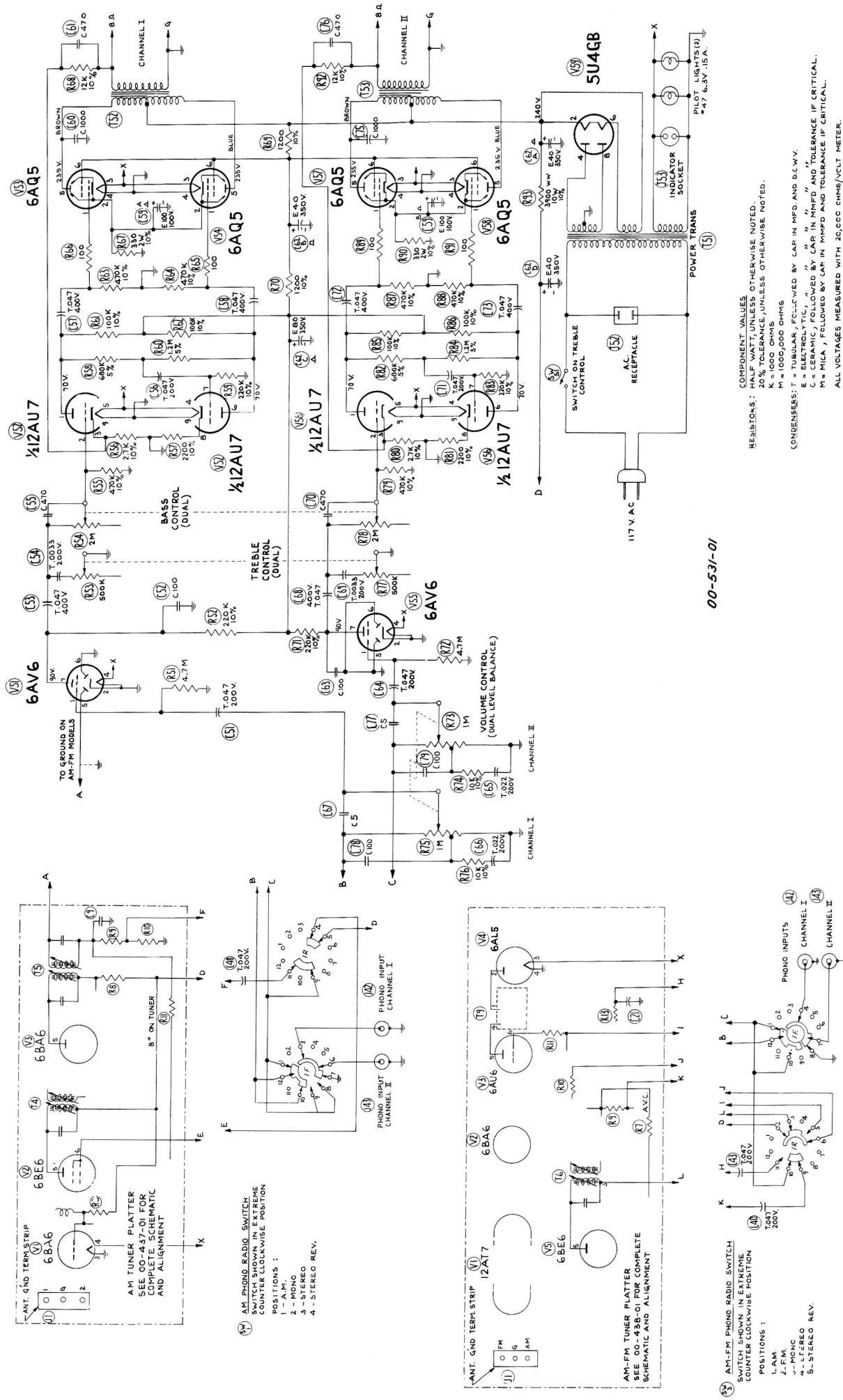
STEP	SIGNAL APPLIED TO	FREQUENCY	BANDWIDTH SETTING	ALIGNMENT AND SENSITIVITY	SIGNAL GENERATOR MODULATED 30% AT 400 CYCLES	OUTPUT INDICATING METER	ADJUST	REMARKS	NOMINAL SENSITIVITY
1	PIN #7 - 6BE6 DUMMY	455 KC/S	AM	AC VTVM AM DET. LOAD	AM-IF 1 ST & 2 ND DEFLECTION	ADJUST FOR MAX. DEFLECTION		100 μV FOR 100 μV * 2	100 μV FOR 100 μV * 2
2	AM ANT. TERMINAL 400 Ω DUMMY	1450 KC/S	AM	AM OSC. & ANT. TRIM.				100 μV FOR 100 μV * 2	100 μV FOR 100 μV * 2
3	"	600 KC/S	AM	AM OSC. COIL				100 μV FOR 100 μV * 2	100 μV FOR 100 μV * 2
4	FM ANT. TERM.	10.7 MC/S C.W.	FM	POINT OF NO INTERFERENCE				100 μV FOR 100 μV * 2	100 μV FOR 100 μV * 2
5	"	"	FM	DC VTVM AM DET. LOAD	AM-IF 1 ST & 2 ND				
6	"	"	FM	* (SEE BELOW)	RATIO DET. PRIMARY				
7	FM ANT. TERM. AT 75 KC/S DIV.	90 MC/S	FM	AC VTVM FINEDET. OUTPUT	RATIO DET. SECONDARY	ADJUST FOR ZERO BETWEEN POS. & NEG. DEFLECTION			
8	"	10.6 MC/S	FM	FM-RF & OSC. COIL	FM-RF & OSC. TRIM.				12 μV FOR 100 μV * 2
*	CONNECT HIGH SIDE OF DC VTVM TO FM DET. OUTPUT AND LOW SIDE TO JUNCTION OF TWO 100 K Ω RESISTORS CONNECTED IN SERIES ACROSS RATIO DET. STABILIZING CAPACITOR.								

SE-100	3-3-57	21	28	10%	AND C2 C2400 CAPACITOR (MILITARY SPEC.) AND C25 APPROX.
CP-100	1-12-57	101-100	ADDED	100	MS. 35-2-1 (P.O.)
CHAS. E.					100
CN NO	DATE	CHANGE			CHK

SCHEMATIC

00-438-01

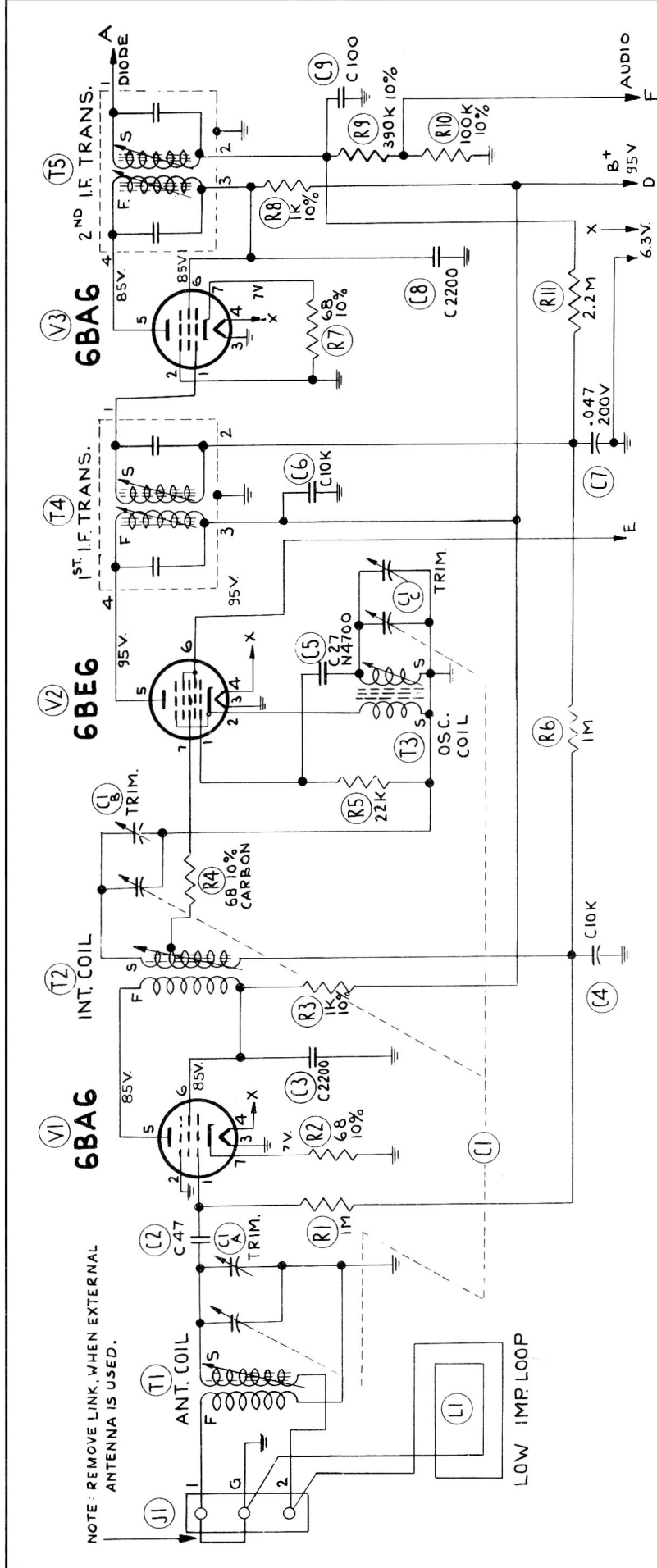
AMPLIFIER



00-531-01

COMPONENT VALUES
 RESISTORS: HALF WATT, UNLESS OTHERWISE NOTED.
 20% TOLERANCE, UNLESS OTHERWISE NOTED.
 K = 1000 OHMS
 M = 1000,000 OHMS
 CONDENSERS: T = TUBULAR, FOLLOWED BY CAP IN MFD. AND D.C.V.
 E = ELECTROLYTIC, FOLLOWED BY CAP. IN MFD., VOLTAGE, AND TOLERANCE, IF CRITICAL.
 C = CAPACITOR, FOLLOWED BY CAP. IN MFD. AND TOLERANCE, IF CRITICAL.
 M = MICA, FOLLOWED BY CAP. IN MFD. AND TOLERANCE, IF CRITICAL.
 ALL VOLTAGES MEASURED WITH 20,000 OHMS/VOLTS METER.

AM TUNER RC-388



ALIGNMENT AND SENSITIVITY SIGNAL GENERATOR MODULATED 30% AT 400 CYCLES

STEP	APPLY SIGNAL AT KC	THRU SERIES TO DUMMY	SET GANG AT KC.	ADJUST FOR MAX. OUTPUT	NOMINAL SENSITIVITY FOR 500 MILLIWATTS OUTPUT	100MV/AT DIODE LOAD VOLUME CONTROL DOWN
1	455	PIN #1 6BA6	.05 MIN. CAP.	SLUGS T5	12000 μV	7000 μV.
2	455	PIN #7 6BEG	.05 MIN. CAP.	SLUGS T4 AND REPEAT STEP 1	550 μV	300 μV.
3	1460	EXT. ANT. CONNECT	200 μμfd	C1c TRIMMER	—	—
4	600	EXT. ANT. CONNECT	200 μμfd	T3 SLUGS AND REPEAT STEPS 3 & 4	—	—
5	1460	EXT. ANT. CONNECT	200 μμfd	C1a AND C1b TRIMMERS	4.5 μV	2.5 μV.
6	600	EXT. ANT. CONNECT	200 μμfd	SLUGS T1 AND T2 REPEAT STEPS 5 & 6	4.5 μV.	2.5 μV.
7	535, 950, 1605	EXT. ANT. CONNECT	200 μμfd	TUNE THRU CHECK ONLY	—	—

00-437-01

COMPONENT VALUES

RESISTORS : HALF WATT, UNLESS OTHERWISE NOTED.
 20% TOLERANCE, UNLESS OTHERWISE NOTED
 K = 1000 OHMS.
 M = 1000,000 OHMS.

CONDENSERS: T = TUBULAR, FOLLOWED BY CAP. IN MFD. AND D.C.W.V.
 E = ELECTROLYTIC, " " " " "
 C = CERAMIC, FOLLOWED BY CAP. IN MMFD AND TOLERANCE IF CRITICAL.
 M = MICA, FOLLOWED BY CAP. IN MMFD AND TOLERANCE IF CRITICAL.

C.N. #2	1-18-58	NOTE ADDED RE ANT. CONN	CHK

SCHEMATIC

SERVICE REPLACEMENT PARTS LIST

FINAL ASSEMBLY

03-16002-05	Garrard RC121 Mk II Changer
16-250013-02	BSR-RC8SD Stereo Cartridge
16-120017-02	3 Mil 78 rpm Sapphire needle
16-120036-03	.7 Mil Lp Diamond needle
16-120022-06	Plug-In Pick-up Head
03-500009-02	Crossover Network
19-60003-02	6" PM Whizzer - Tweeter 8 ohm - 2 used
19-80006-02	8" PM High Compliance Woofer 8 ohm - 2 used
27-1-01	6.8 volt #44 Pilot Lamp
30-82-01	Control Panel - Dial Scale - AM
30-83-01	Control Panel - Dial Scale - AM-FM
33-54-01	Plastic Foot - 4 used
51-1-01	Loop Antenna Assembly - RCS-388
53-16-01	Knob Small Dual - Balance & Level
53-17-01	Knob Large Dual - Balance & Level
53-44-07	Tuning Knob
53-44-08	Knob - 4 used

AM TUNER PLATTER CHASSIS - RCS-388

21-410-03	B.C. Antenna Coil
21-421-01	B.C. Oscillator Coil
21-428-01	B.C. Interstage Coil
21-432-01	AM I.F. Transformer 1st & 2nd
45-33-01	AM Gang Condenser

5 TUBE AM-FM TUNER PLATTER - RCS-389

21-300-03	FM R. F. Peaking Coil
21-421-01	B.C. Oscillator Coil
21-432-02	FM I.F. Transformer 1st & 2nd
21-433-01	FM I.F. Transformer - T2
21-433-02	FM I.F. Transformer - T3
21-439-02	R. F. Choke 2.2 uh
21-441-01	Ratio Detector
21-433-01	FM R.F. Coil
21-444-01	FM Oscillator Coil

44-11-01	Electrolytic 5 ufd x 50 volt
----------	------------------------------

45-32-01	AM-FM Gang Condenser
45-36-01	FM Trimmer

51-23-01	Hi Impedance Loop Antenna
----------	---------------------------

9 TUBE 8 WATT DUAL CHANNEL AMPLIFIER

24-10044-01	Power Transformer
24-80039-01	Output Transformer - 2 used

26-44-01	Selector Switch - RCS-388
26-45-01	Selector Switch - RCS-389

27-2-01	6.8 volt #47 Pilot Lamp
---------	-------------------------

41-120-01	Dual Control - Treble - Off-On
41-121-01	Dual Control - Bass
41-122-01	Dual Control - Balance - Level

44-71-01	Electrolytic 40-40-80-40 x 350 volt
44-68-01	Dual Electrolytic 100-100 ufd x 100 volt