

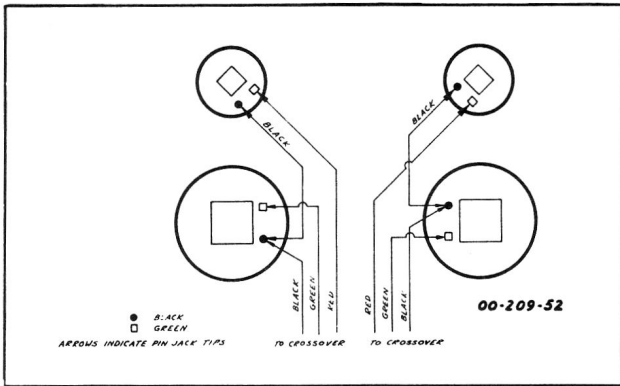
# VIKING Service Information for Models

RCS-386  
RCS-387

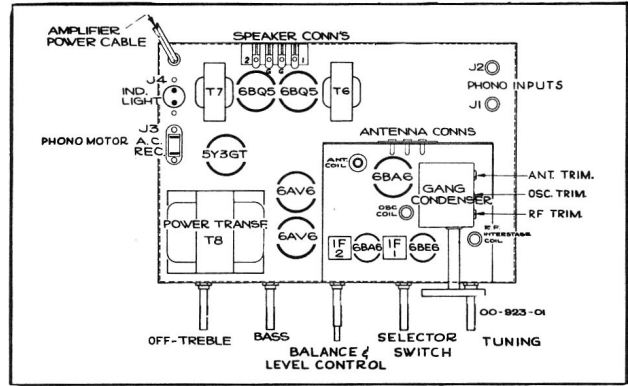
For Operation on 110-120 Volts A.C. Cycle as Marked

When writing for Service Information or Parts please quote Model Number, Serial Number and finish of cabinet.

## SPEAKER CONNECTIONS

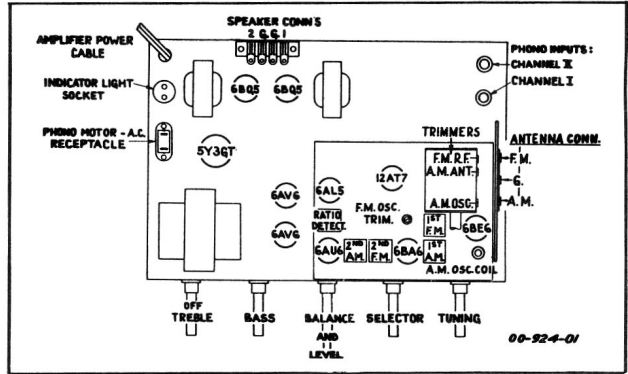
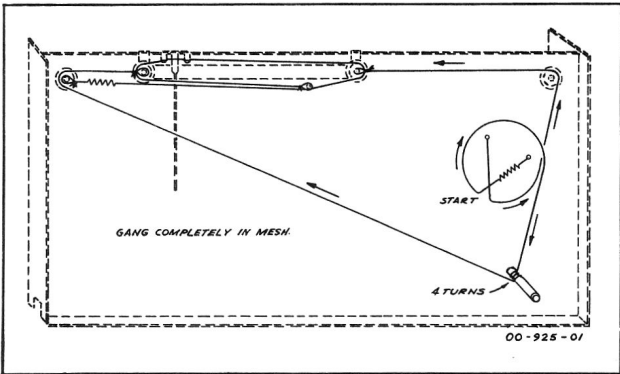


## CHASSIS LAYOUTS



RCS-386

## STRINGING DETAILS



RCS-387

## SPECIFICATIONS

AMPLIFIER - (Specifications per Channel)  
Frequency Response — 50 cps to 15,000 cps.  
Peak Power Output - 6 Watts

AM— FM TUNER RCS-387  
A.M. Tuning Band - 535 to 1605 Kc.  
F.M. Tuning Band - 88 to 108 Mc.  
A.M. I.F. Frequency - 455 Kc.  
F.M. I.F. Frequency - 10.7 Mc.

FOR ALIGNMENT AND SENSITIVITY DATA  
OF TUNER, SEE SCHEMATIC

AM TUNER — RCS-386  
Tuning Range — 535 to 1605 KC.  
I.F. Frequency — 455 KC

### CAUTION

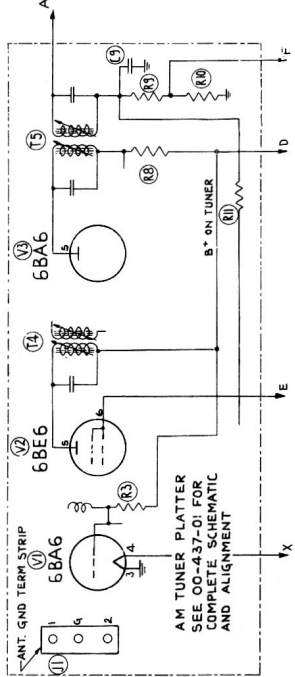
To remove changer, pull cotter key on RIGHT REAR changer mounting bolt (→) lift right side of changer to clear motor board and slide toward chassis to remove FRONT LEFT mounting bolt from slotted hole.

THE T. EATON CO. LIMITED  
CANADA



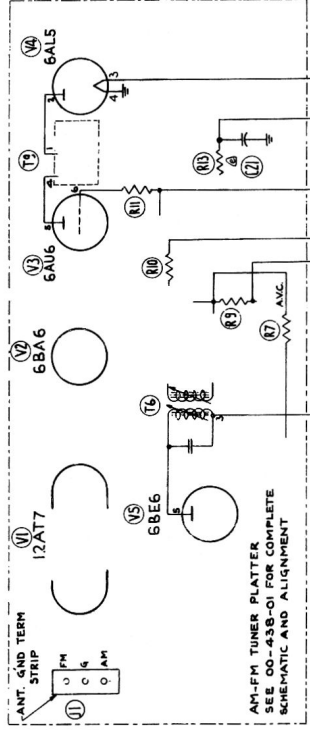


# AMPLIFIER

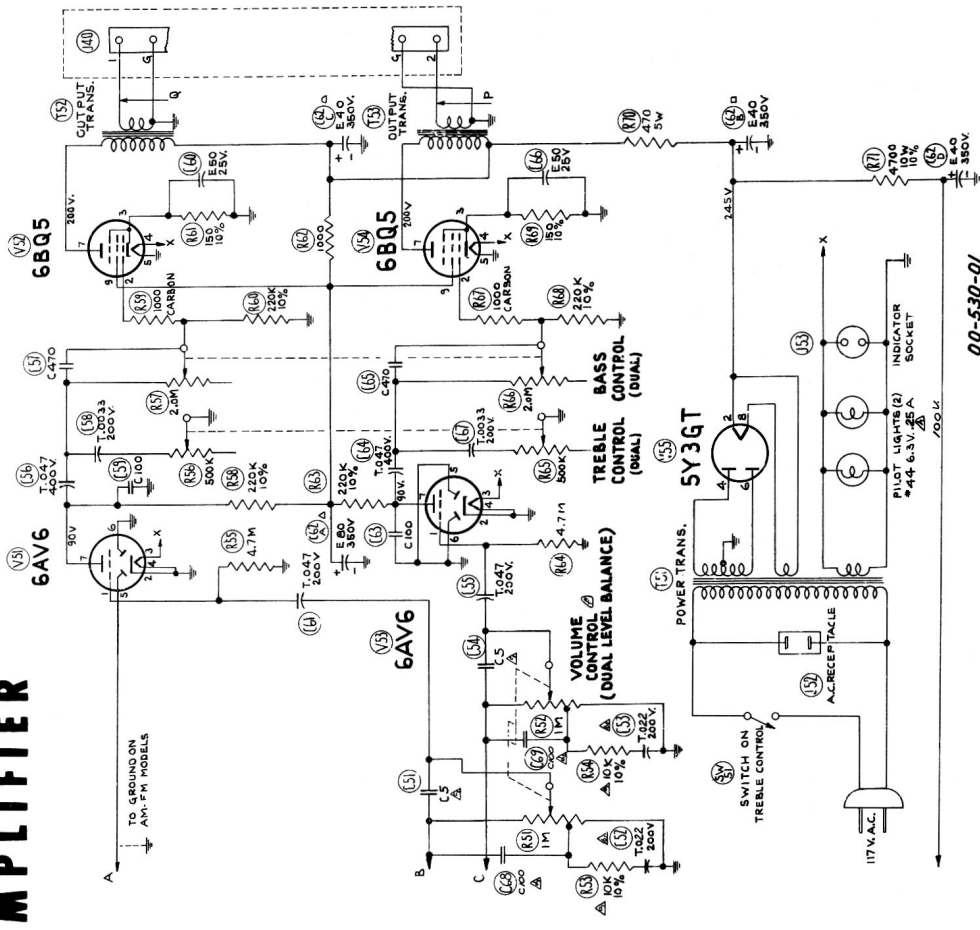
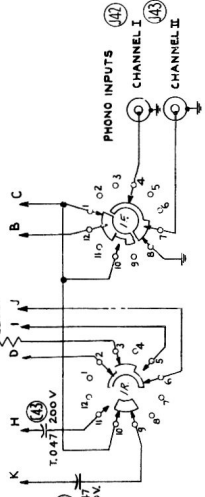


57 AM PHONO RADIO SWITCH  
 SWITCH SHOWN IN EXTREME COUNTER CLOCKWISE POSITION  
 POSITIONS:  
 1 - A.M.  
 2 - MONO  
 3 - STEREO  
 4 - STEREO REV.  
 5 - TV

58 TV-PHONO-RADIO SWITCH  
 POSITIONS:  
 1 - A.M.  
 2 - MONO  
 3 - STEREO  
 4 - STEREO REV.  
 5 - TV



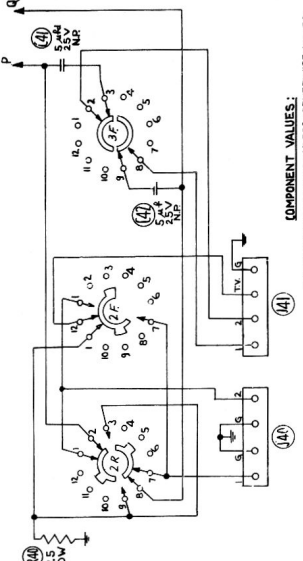
59 AM-FM PHONO RADIO SWITCH  
 SWITCH SHOWN IN EXTREME COUNTER CLOCKWISE POSITION  
 POSITIONS:  
 1 - A.M.  
 2 - FM  
 3 - MONO  
 4 - STEREO  
 5 - STEREO REV.



00-530-01

SPEAKER SWITCHING IN TV-RADIO - PHONO COMBINATION

62 TV-PHONO-RADIO-(SPEAKER) SWITCH  
 SWITCH SHOWN IN EXTREME COUNTER CLOCKWISE POSITION  
 POSITIONS:  
 1 - MONO  
 2 - STEREO  
 3 - STEREO REV.  
 4 - STEREO REV.  
 5 - TV



COMPONENT VALUES:  
 R = RESISTOR  
 C = CAPACITOR  
 T = TUBULAR  
 M = MILICAP  
 W = WATT  
 UNLESS OTHERWISE NOTED,  
 5% TOLERANCE UNLESS OTHERWISE NOTED.  
 M = 1000,000 OHMS.

CONDENSERS:  
 T = TUBULAR, FOLLOWED BY CAP IN MFD. AND DC V.V.  
 E = ELECTROLYTIC, FOLLOWED BY CAP IN MFD. AND DC V.V.  
 C = CERAMIC, FOLLOWED BY CAP IN MFD. AND TOLERANCE IF CRITICAL.  
 M = MILICAP, FOLLOWED BY CAP IN MFD. AND TOLERANCE IF CRITICAL.

ALL VOLTAGES MEASURED WITH 20,000 OHMS/VOLT METER

# SERVICE REPLACEMENT PARTS LIST

## FINAL ASSEMBLY

03-160019-04	BSR - UA8 Changer Assembly
16-250013-01	TC8S Stereo Cartridge
16-120036-01	.7 Mil LP Sapphire needle
16-120017-02	3 mil 78 rpm Sapphire needle
03-500009-02	Crossover Network
19-60003-02	6" PM Whizzer Tweeter 8 ohm
19-80004-02	8" PM Woofer - 8 ohm
27-1-01	6.8 volt #44 Pilot Lamp
30-80-01	Control Panel - Dial Scale RCS-386
30-81-01	Control Panel - Dial Scale RCS-387
33-54-01	Plastic Foot
53-16-01	Knob Small Dual - Balance & Level
53-17-01	Knob Large Dual - Balance & Level
53-44-07	Knob - Tuning
53-44-08	Knob - 4 used

## AMPLIFIER RCS-386-RCS-387

24-10043-01	60 cycle Power Transformer
24-80035-01	Audio Output Transformer
26-44-01	Selector Switch - RCS-386
26-45-01	Selector Switch - RCS-387
27-2-01	Pilot Lamp 6.8 volt #47
41-120-01	Dual Control - Treble-On-Off
41-121-01	Dual Control - Bass
41-122-01	Dual Control - Balance - Level
44-71-01	Four Section Electrolytic 40-40-80-40 ufd x 350 volt
44-40-04	Single Electrolytic 50 ufd x 25 volt

## 3 TUBE AM TUNER PLATTER RCS-386

21-410-03	B.C. Antenna Coil
21-421-01	B.C. Oscillator Coil
21-428-01	B.C. Interstage Coil
21-432-01	AM I.F. Transformer 1st & 2nd
45-33-01	AM Gang Condenser 2 1/2 section

## 5 TUBE AM/FM TUNER PLATTER RCS-387

21-300-03	FM R.F. Peaking Coil
21-421-01	B.C. Oscillator Coil
21-432-02	AM I.F. Transformer 1st and 2nd
21-433-01	FM I.F. Transformer - T2
21-433-02	FM I.F. Transformer - T3
21-439-02	R.F. Choke 2.2 uh
21-441-01	Ratio Detector
21-443-01	FM R.F. Coil
21-444-01	FM Oscillator Feedback Coil
33-54-01	Plastic Foot - 2 used
44-11-01	Electrolytic 5 ufd x 50 volt
45-32-01	AM/FM Gang Condenser
45-36-01	FM Trimmer
51-23-01	Hi Impedance Loop Antenna RCS-387