

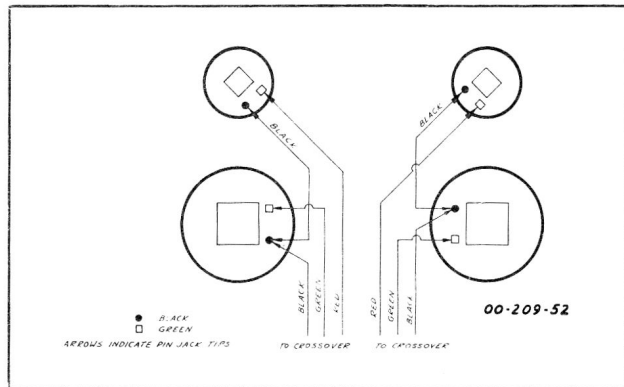
VIKING Service Information for Models

RCS-386AR
RCS-387AR

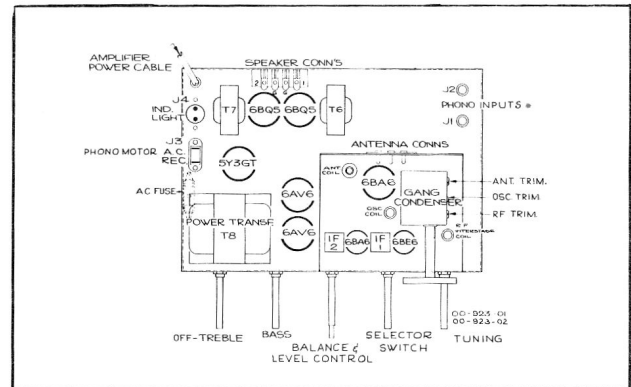
For Operation on 110-120 Volts A.C. Cycle as Marked

When writing for Service Information or Parts please quote Model Number, Serial Number and finish of cabinet.

SPEAKER CONNECTIONS

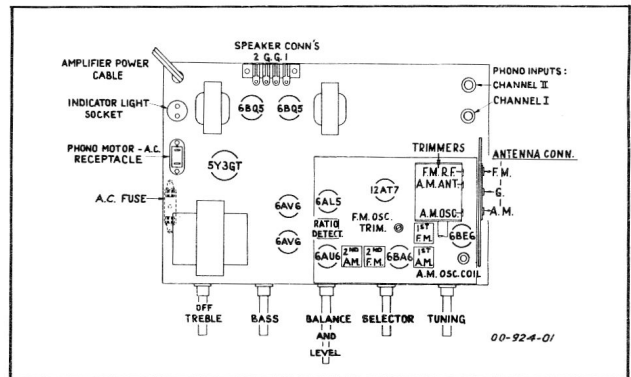
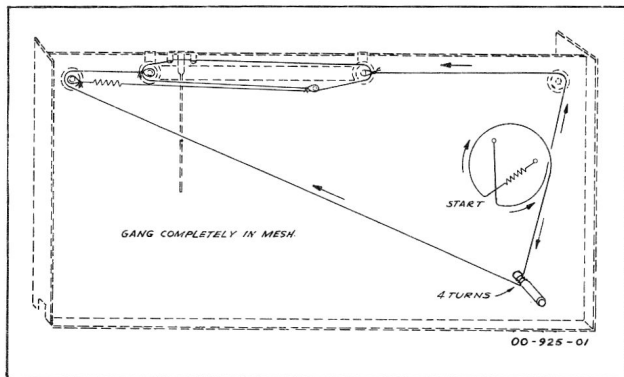


CHASSIS LAYOUTS

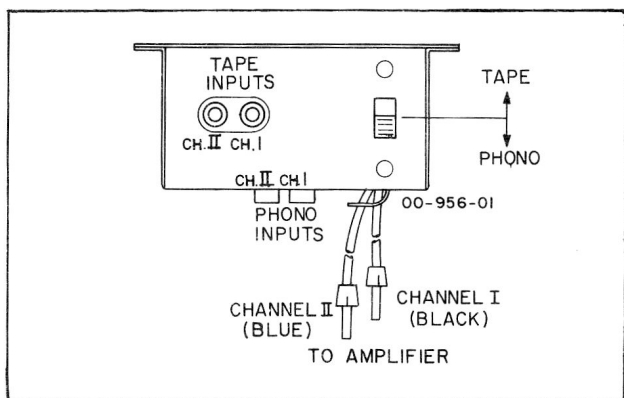


RCS-386AR

STRINGING DETAILS



RCS-387AR



SPECIFICATIONS

AM— FM TUNER RCS-387AR
A.M. Tuning Band - 535 to 1605 Kc.
F.M. Tuning Band - 88 to 108 Mc.
A.M. I.F. Frequency - 455 Kc.
F.M. I.F. Frequency - 10.7 Mc.

AM TUNER — RCS-386AR
Tuning Range — 535 to 1605 KC.
I.F. Frequency — 455 KC

AMPLIFIER - (Specifications per Channel)
Frequency Response — 50 cps to 15,000 cps.
Peak Power Output - 6 Watts

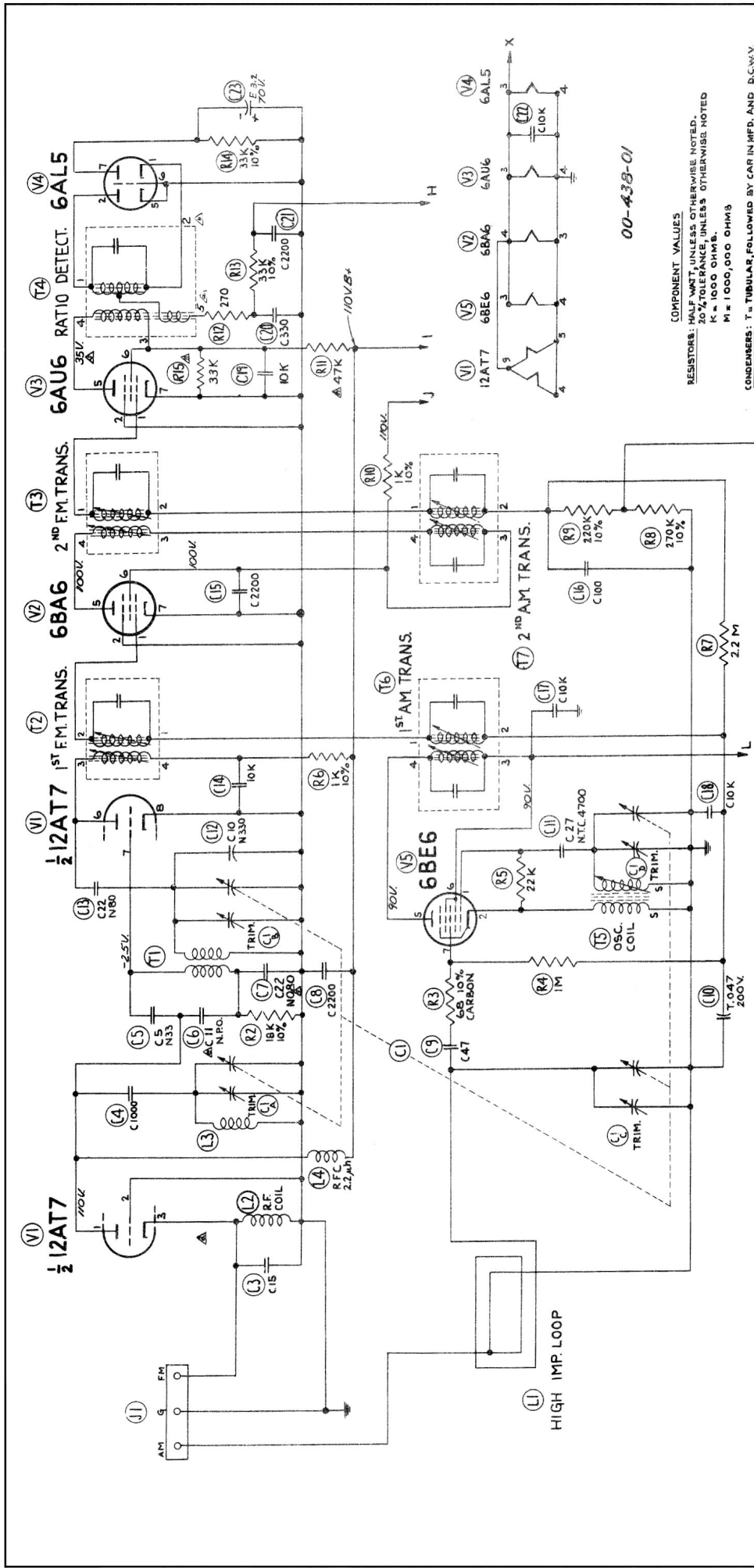
FOR ALIGNMENT AND SENSITIVITY DATA OF TUNER, SEE SCHEMATIC

CAUTION

To remove changer, pull cotter key on RIGHT REAR changer mounting bolt (→) lift right side of changer to clear motor board and slide toward chassis to remove FRONT LEFT mounting bolt from slotted hole.

THE T. EATON CO. LIMITED
CANADA

AM-FM TUNER RCS-387AR



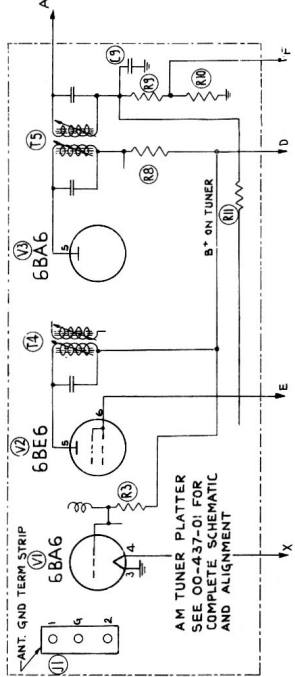
00-438-01

COMPONENT VALUES
 RESISTORS: HALF WATT, UNLESS OTHERWISE NOTED.
 20% TOLERANCE, UNLESS OTHERWISE NOTED.
 K = 1000 OHMS
 M = 1000,000 OHMS
 CONDENSERS: T = TUBULAR, FOLLOWED BY CAP IN MPF. AND D.C. MV.
 E = ELECTROLYTIC.
 C = CERAMIC, FOLLOWED BY CAP IN MMFD AND
 M = MICA, FOLLOWED BY CAP IN MMFD AND
 TOLERANCE IF CRITICAL.

STEP	SIGNAL APPLIED TO	FREQUENCY	MODULATION	DIVIDER SETTING	OUTPUT INDICATING METER	SIGNAL GENERATOR MODULATED 30% AT 400 CYCLES	ADJUST	REMARKS	NOMINAL SENSITIVITY
1	PIN #7 - 6BE6	455 KC/S	AM	30% AT 400 CYCLES	AC VTVM AM DET. LOAD	AM-IF 1ST & 2ND DEFLECTION	ADJUST FOR MAX. DEFLECTION	100 MV FOR 25 MV FOR 100 MV PER %	
2	OS AT SUMMATION	30% AT 400 CYCLES	AM	14.60 KC/S	AM OSC. & ANT. TRIM.	AM OSC. COIL	ADJUST FOR MAX. DEFLECTION	100 MV PER %	
3	400 A. DUMMY	600 KC/S	AM	600 KC/S	DC VTVM AM DET. LOAD	AM-IF 1ST & 2ND DEFLECTION	ADJUST FOR MAX. DEFLECTION	100 MV PER %	
4	FM ANT. TERM.	10.7 MC/S	FM	POINT OF NO INTERFERENCE	DC VTVM PIN #7, 6AL5	RATIO DET. PRIMARY	ADJUST FOR MAX. DEFLECTION	100 MV PER %	
5	FM ANT. TERM.	10.7 MC/S	FM	POINT OF NO INTERFERENCE	DC VTVM PIN #7, 6AL5	RATIO DET. PRIMARY	ADJUST FOR MAX. DEFLECTION	100 MV PER %	
6	FM ANT. TERM.	10.7 MC/S	FM	POINT OF NO INTERFERENCE	DC VTVM PIN #7, 6AL5	RATIO DET. PRIMARY	ADJUST FOR MAX. DEFLECTION	100 MV PER %	
7	FM ANT. TERM.	10.7 MC/S	FM	POINT OF NO INTERFERENCE	DC VTVM PIN #7, 6AL5	RATIO DET. PRIMARY	ADJUST FOR MAX. DEFLECTION	100 MV PER %	
8	FM ANT. TERM.	10.7 MC/S	FM	POINT OF NO INTERFERENCE	DC VTVM PIN #7, 6AL5	RATIO DET. PRIMARY	ADJUST FOR MAX. DEFLECTION	100 MV PER %	
*	CONNECT HIGH SIDE OF DC-VTVM TO FM DET. OUTPUT AND LOW SIDE TO JUNCTION OF 100 K Ω RESISTORS CONNECTED IN SERIES ACROSS RATIO DET. STABILIZING CAPACITOR. # M AT DETECTOR LOAD								

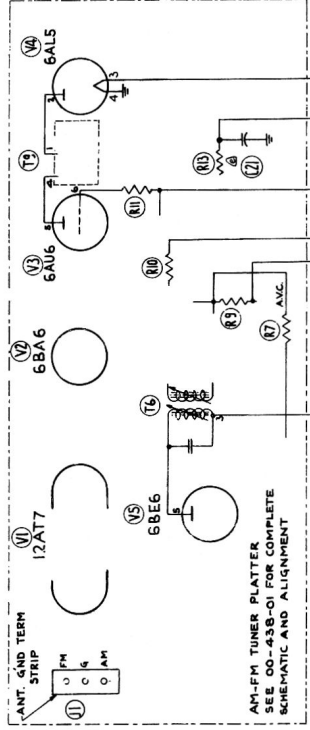
C.N. NO. DATE CHANGE

AMPLIFIER

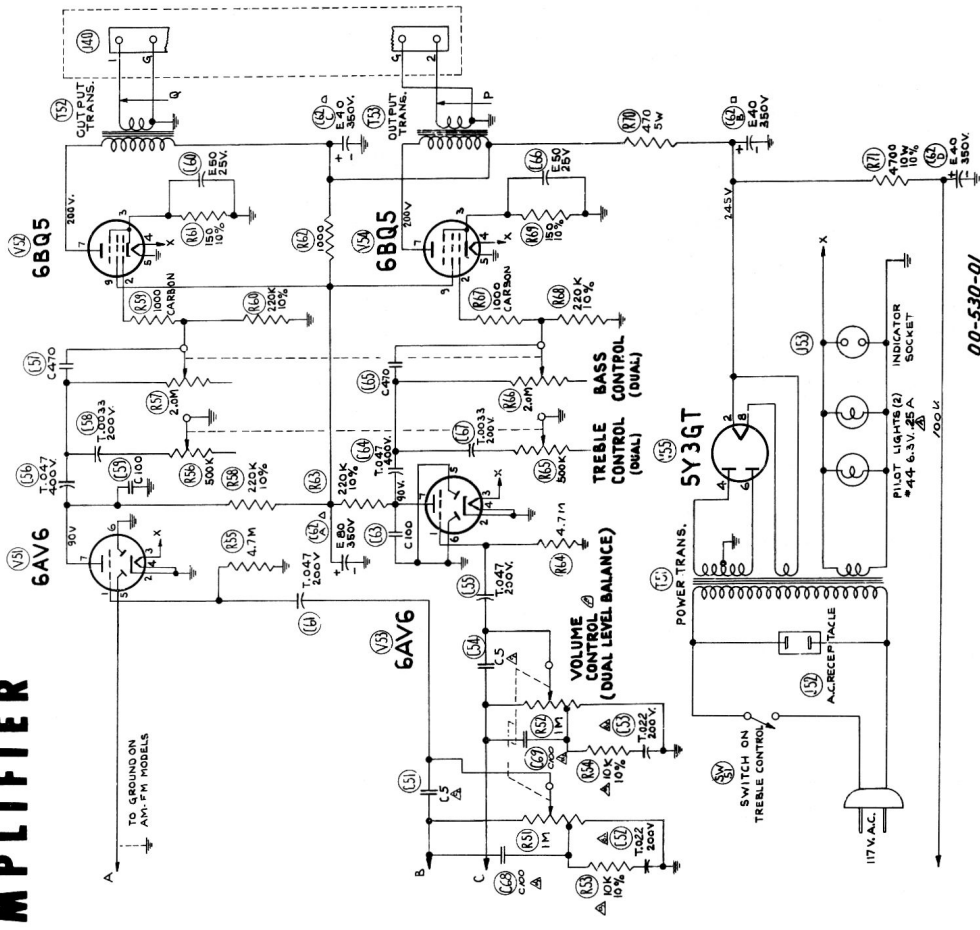
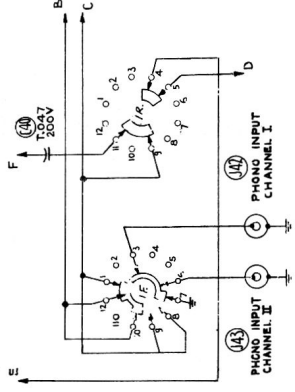


57 AM PHONO RADIO SWITCH
 SWITCH SHOWN IN EXTREME COUNTER CLOCKWISE POSITION
 POSITIONS:
 1 - A.M.
 2 - MONO
 3 - STEREO
 4 - STEREO REV.
 5 - TV

58 TV-PHONO-RADIO SWITCH
 POSITIONS:
 1 - A.M.
 2 - MONO
 3 - STEREO
 4 - STEREO REV.
 5 - TV



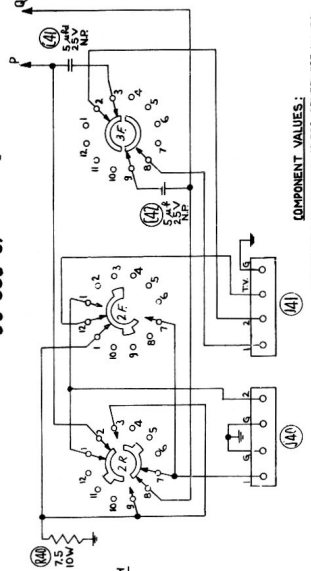
59 AM-FM PHONO RADIO SWITCH
 SWITCH SHOWN IN EXTREME COUNTER CLOCKWISE POSITION
 POSITIONS:
 1 - A.M.
 2 - MONO
 3 - MONO
 4 - STEREO
 5 - STEREO REV.



00-530-01

SPEAKER SWITCHING IN TV-RADIO - PHONO COMBINATION

60 TV-PHONO-RADIO-(SPEAKER) SWITCH
 SWITCH SHOWN IN EXTREME COUNTER CLOCKWISE POSITION
 POSITIONS:
 1 - MONO
 2 - STEREO
 3 - STEREO REV.
 4 - STEREO REV.
 5 - TV



COMPONENT VALUES:
 T - TUBULAR, FOLLOWED BY CAP IN MPD AND DC MV
 E - ELECTROLYTIC, FOLLOWED BY CAP IN MPD AND C-CERAMIC, FOLLOWED BY CAP IN MMFD AND TOLERANCE IF CRITICAL.
 M - MICA, FOLLOWED BY CAP IN MMFD AND TOLERANCE IF CRITICAL.

RESISTORS:
 1/2 WATT, UNLESS OTHERWISE NOTED.
 5% TOLERANCE UNLESS OTHERWISE NOTED.
 M = 1,000,000 OHMS.

CONDENSERS:
 T - TUBULAR, FOLLOWED BY CAP IN MPD AND DC MV
 E - ELECTROLYTIC, FOLLOWED BY CAP IN MPD AND C-CERAMIC, FOLLOWED BY CAP IN MMFD AND TOLERANCE IF CRITICAL.
 M - MICA, FOLLOWED BY CAP IN MMFD AND TOLERANCE IF CRITICAL.

ALL VOLTAGES MEASURED WITH 20,000 OHMS/VOLT METER

SERVICE REPLACEMENT PARTS LIST

FINAL ASSEMBLY

03-160019-04	BSR - UA8 Changer Assembly
16-250013-01	TC8S Stereo Cartridge'
16-120036-01	.7 Mil LP Sapphire needle
16-120017-02	3 mil 78 fpm Sapphire needle
16-120030-01	45 rpm Spindle
03-500009-02	Crossover Network
19-60003-02	6" PM Whizzer Tweeter 8 ohm
19-80004-02	8" PM Woofer - 8 ohm
26-2-05	Slider Switch
27-1-01	6.8 volt #44 Pilot Lamp
27-6-06	3 AG Fuse
30-80-01	Control Panel - Dial Scale RCS-386 AR
30-81-01	Control Panel - Dial Scale RCS-387 AR
33-54-01	Plastic Foot
33-136-01	45 rpm Spindle Cup
53-16-01	Knob Small Dual - Balance & Level
53-17-01	Knob Large Dual - Balance & Level
53-44-07	Knob - Tuning
53-44-08	Knob - 4 used

AMPLIFIER

24-10043-01	60 cycle Power Transformer
24-80035-01	Audio Output Transformer
26-44-01	Selector Switch - RCS-386 AR
26-45-01	Selector Switch - RCS-387 AR
27-2-01	Pilot Lamp 6.8 volt #47
41-120-01	Dual Control - Treble-On-Off
41-121-01	Dual Control - Bass
41-122-01	Dual Control - Balance - Level
44-71-01	Four Section Electrolytic 40-40-80-40 ufd x 350 volt
44-40-04	Single Electrolytic 50 ufd x 25 volt

3 TUBE AM TUNER PLATTER RCS-386 AR

21-410-03	B.C. Antenna Coil
21-421-01	B.C. Oscillator Coil
21-428-01	B.C. Interstage Coil
21-432-01	AM I.F. Transformer 1st & 2nd
45-33-01	Am Gang Condenser 2 1/2 section

5 TUBE AM/FM TUNER PLATTER RCS-387 AR

21-300-03	FM R.F. Peaking Coil
21-421-01	B.C. Oscillator Coil
21-432-02	AM I.F. Transformer 1st and 2nd
21-433-01	FM I.F. Transformer - T2
21-433-02	FM I.F. Transformer - T3
21-439-02	R. F. Choke 2.2.uh
21-441-01	Ratio Dector
21-443-01	FM R.F. Coil
21-444-01	FM Oscillator Feedback Coil
33-54-01	Plastic Foot - 2 used
44-11-01	Electrolytic 5 ufd x 50 volt
45-32-01	AM/FM Gang Condenser
45-36-01	FM Trimmer
51-23-01	Hi Impedance Loop Antenna RCS-387 AR