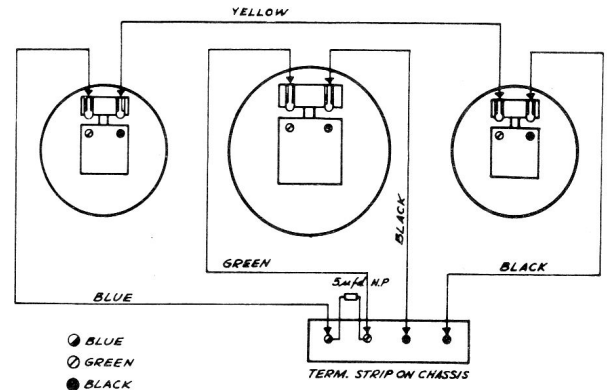
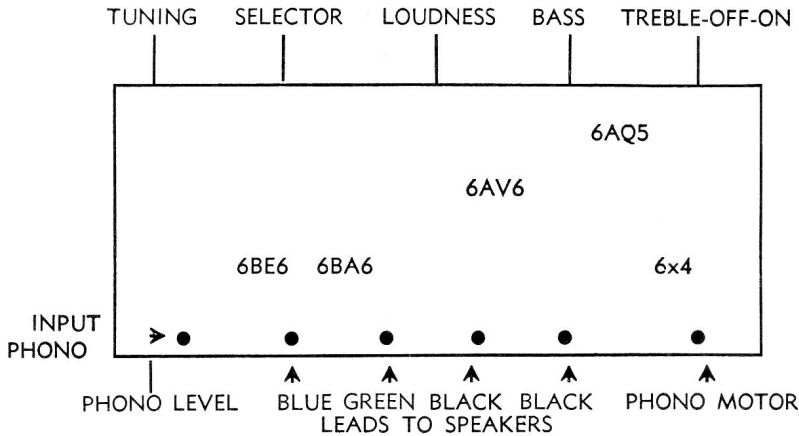


VIKING Service Information for MODEL RC-330

5 Tube, 1 Band



00-209-13

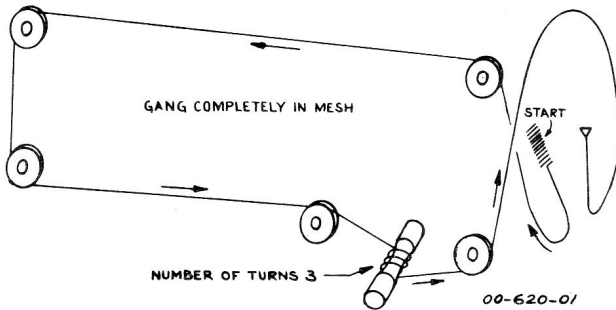
For Operation on 110-120 Volts A.C. —
Cycle as listed on License Label.

SPECIFICATIONS

Standard Broadcast Range	535 Kc. — 1650 Kc.
Intermediate Frequency	455 Kc.
Power Consumption (Radio Only)	40 Watts
Power Consumption (Radio and Phono)	52 Watts
Undistorted Output	2.5 Watts
Maximum Power Output	3.5 Watts

When writing for Service Information or Parts
please quote Model Number,
Serial Number and finish of cabinet.

FOR ALIGNMENT AND SENSITIVITY DATA
SEE SCHEMATIC



STRINGING DETAIL

REPLACEMENT PARTS LIST RC-330

Symbol	Part No.	Description	Suggested List Price
CHASSIS			
C1	45-7-06	Gang Condenser	\$ 3.12
C3	46G-624-20	27 uuf. + 10% N5600 500V. Ceramic Condenser	.50
C13	44-28-01	Electrolytic Condenser 40 & 40 ufd. x 300 DCWV, 40 ufd x 25 DCWV	2.24
C14	44-5-01	(G-604-1) Electrolytic Non Polarized 5 ufd x 20 ACWV	1.20
PS1	50-1-01	(K-1394) Printed Circuit Filpec	.60
R6	41-23-01	Loudness Control 1 Meg ohm	1.20
R11	41-22-01	Treble Tone Control 500 K and AC switch	1.45
SW2			
R12	41-24-01	Bass Tone Control 2 Meg ohm	.95
R17	41-41-02	Auxiliary Phono Level Control	1.05
SW1	26-6-01	Selector Switch	1.35
T1	21-421-02	B.C. Oscillator Coil	1.40
T2			
T3	21-404-01	(P-2923) I.F. Transformer 1st. & 2nd.	1.75
T4	24-80014-01	Output Transformer 3.2 ohm VC	2.95
T5	24-10009-01	Power Transformer 60 cycle	8.50
	24-20009-01	Power Transformer 25 cycle	10.92
T6	51-5-01	Ferrite Rod Antenna	2.35

CHASSIS MISCELLANEOUS

Part No.	Description	Suggested List Price
34-5-17	(K-1033-17) Line Cord and Plug Assembly	.90
27-2-01	(K839) Pilot Light 6.3V. .15A #7	.25
30-36-01	Dial Scale	8.40
34-57-02	(K-1151-2) Pilot Lamp Socket & Lead 9"	.25
35-5-03	Drive Shaft	.40
35-4-01	(B-1889) Cord Tension Spring	.10
35-73-01	Dial Pointer 3/4" Ivory	.25
34-12-02	(K-875-1) Phono Socket	.15
34-13-01	(K-923) A.C. Receptacle	.35
34-16-01	(K-1522) Speaker Connector Term. Strip	.30

INSTALLATION

Part No.	Description	Suggested List Price
16-90005-01	Changer BSR-UA8 with TC8 M Cartridge 60 cycle	POR
16-100003-01	Changer BSR-UA8 with TC8 M Cartridge 25 cycle	POR
19-30001-02	Speaker 3 1/2" P.M. (2) (K1772)	3.75
19-80002-01	Speaker 8" P.M. (K1727)	8.45
53-46-03	Knob — Tuning, Loudness	.40
53-46-04	Knob — Selector Switch, Treble Tone, Bass Tone	.40
53-10-02	Escutcheon	2.10

REPLACEMENT STYLUS C1065 AND CARTRIDGE FOR BSR CHANGER

16-250004-01	TC8M Cartridge	5.95
16-120017-01	LP Sapphire Needle	1.50
16-120017-02	78	1.50

POR — Prices on request.

LEVEL SET CONTROL — This control is preset at the factory and should not require any further adjustment. It may be necessary, however, to re-adjust this control, when tubes are replaced or to compensate for the acoustics of the room, to prevent acoustical feedback. This adjustment should only be made by a Service Technician.

- Procedure:**
1. Set selector switch on Phono position.
 2. Stop changer — place pickup on edge of record.
 3. Set Tone controls and Loudness control fully clockwise (→).
 4. Set Level Set Control at the point where rumble or acoustical feedback disappears.

Note: If more gain is preferred, this control may be turned fully counterclockwise to obtain the maximum output available. Other controls should be adjusted to prevent overdriving the amplifier and speaker system relative to acoustical feedback.

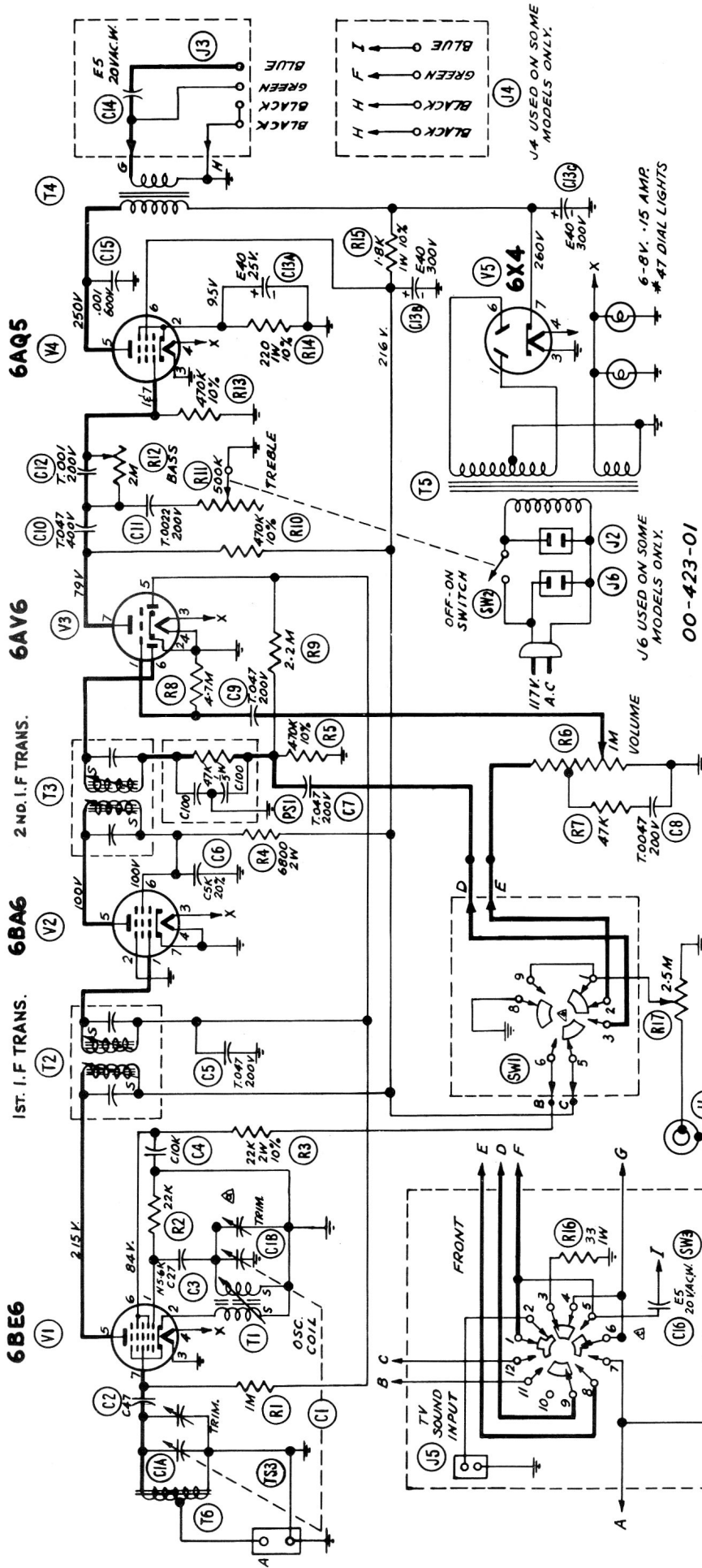
THE **T. EATON CO.** LIMITED
CANADA

6BE6

6BA6

6AV6

6AQ5



COMPONENT VALUES

RESISTORS: HALF WATT, UNLESS OTHERWISE SPECIFIED.
 20% TOLERANCE, UNLESS OTHERWISE SPECIFIED.
 K = 1000 OHMS.
 M = 1000,000 OHMS.

CONDENSERS: T = TUBULAR, FOLLOWED BY CAP. IN MFD AND D.C.M.V.
 E = ELECTROLYTIC, FOLLOWED BY CAP. IN MFD. & D.C.M.V.
 C = CERAMIC, FOLLOWED BY CAP. IN MMFD. & TOL. IF CRITICAL.
 M = MICA, FOLLOWED BY CAP. IN MMFD. & TOL. IF CRITICAL.

ALIGNMENT AND SENSITIVITY

STEP	SIGNAL GENERATOR THRU SERIES SET GANG		ADJUST FOR NOMINAL SENSITIVITY MAX. OUTPUT FOR 500 MILLIWATTS OUTPUT
	APPLY SIGNAL AT KC	TO DUMMY AT	
1	455	6BA6	2600 μV.
2	455	6BE6	90 μV
3	1460	EXT. ANT. CONN.	30 μV
4	600	EXT. ANT. CONN.	48 μV
5	535/1605	EXT. ANT. CONN.	TUNE THRU CHECK ONLY

NOTE: (C12) CHANGED TO C470; (CH) CHANGED TO T. 0033 200V; (C17) 24 uuf CERAMIC C24 ADDED TOP TO TAP OF VOLUME CONTROL

00-423-01