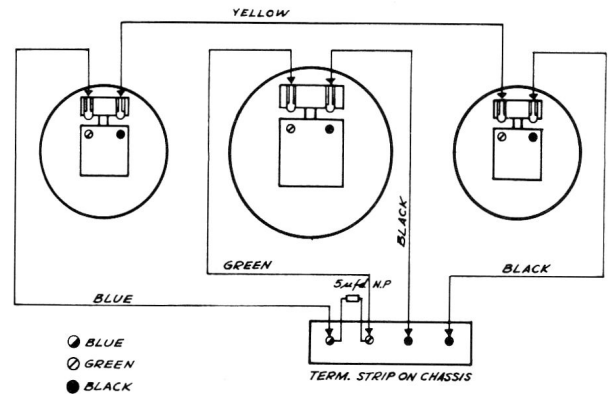
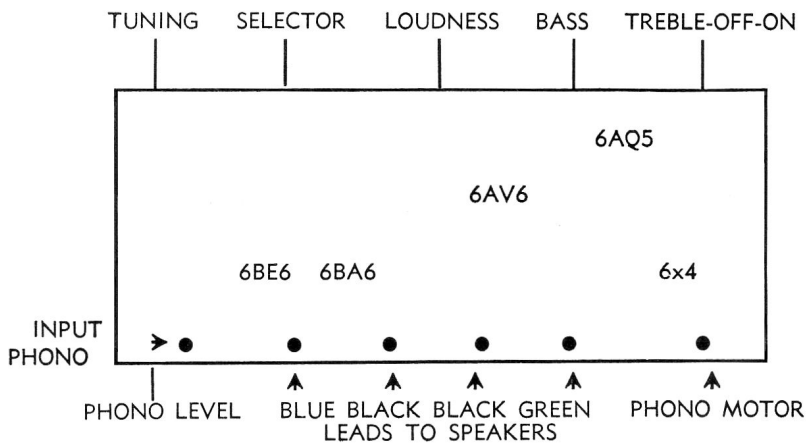
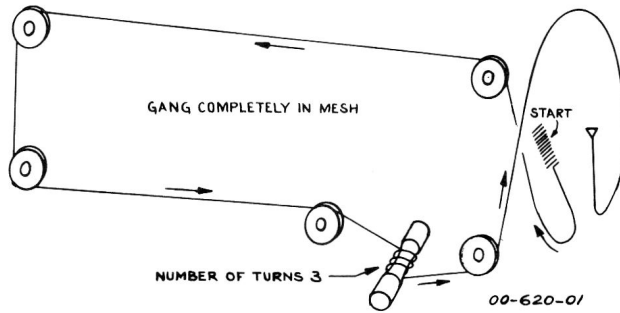


VIKING Service Information for MODEL RC-309

5 Tube, 1 Band



00-209-13



STRINGING DETAIL

For Operation on 110-120 Volts A.C. — Cycle as listed on License Label.

SPECIFICATIONS

Standard Broadcast Range	535 Kc. — 1650 Kc.
Intermediate Frequency	455 Kc.
Power Consumption (Radio Only).....	40 Watts
Power Consumption (Radio and Phono).....	52 Watts
Undistorted Output	2.5 Watts
Maximum Power Output	3.5 Watts

When writing for Service Information or Parts please quote Model Number, Serial Number and finish of cabinet.

FOR ALIGNMENT AND SENSITIVITY DATA SEE SCHEMATIC

REPLACEMENT PARTS LIST

New Part No.	Old P't No.	Symbol	Description
21-402-01.....	P-2876-1.....	T1.....	BC Oscillator Coil
21-404-01.....	P-2923.....	T2, T3.....	IF Transformer 1st & 2nd
24-10009-01.....	T5.....		Power Transformer 60 cycle
24-20009-01.....	T5.....		Power Transformer 25 cycle
24-80014-01.....	T4.....		Output Transformer
26-6-01.....	SW1.....		Selector Switch
27-2-01.....			Pilot Lamp 6.3V .15A #47
30-13-01.....			Dial Scale
35-73-01.....			Dial Pointer
41-22-01.....	R11, SW2.....		Treble Control and AC Switch
41-23-01.....	R6.....		Loudness Control
41-24-01.....	R12.....		Bass Tone Control
41-41-02.....	R17.....		Aux. Phono Level Control
44-5-01.....	G-604-1.....	C14.....	Electrolytic Non-Polarized 5 ufd x 20V AC.

44-28-01.....	C13.....	Electrolytic 40 & 40 ufd x 300V, 40 ufd x 25 V.
45-7-06.....	C1.....	Gang Condenser
51-5-01.....	T6.....	Rod Antenna

FINAL ASSEMBLY

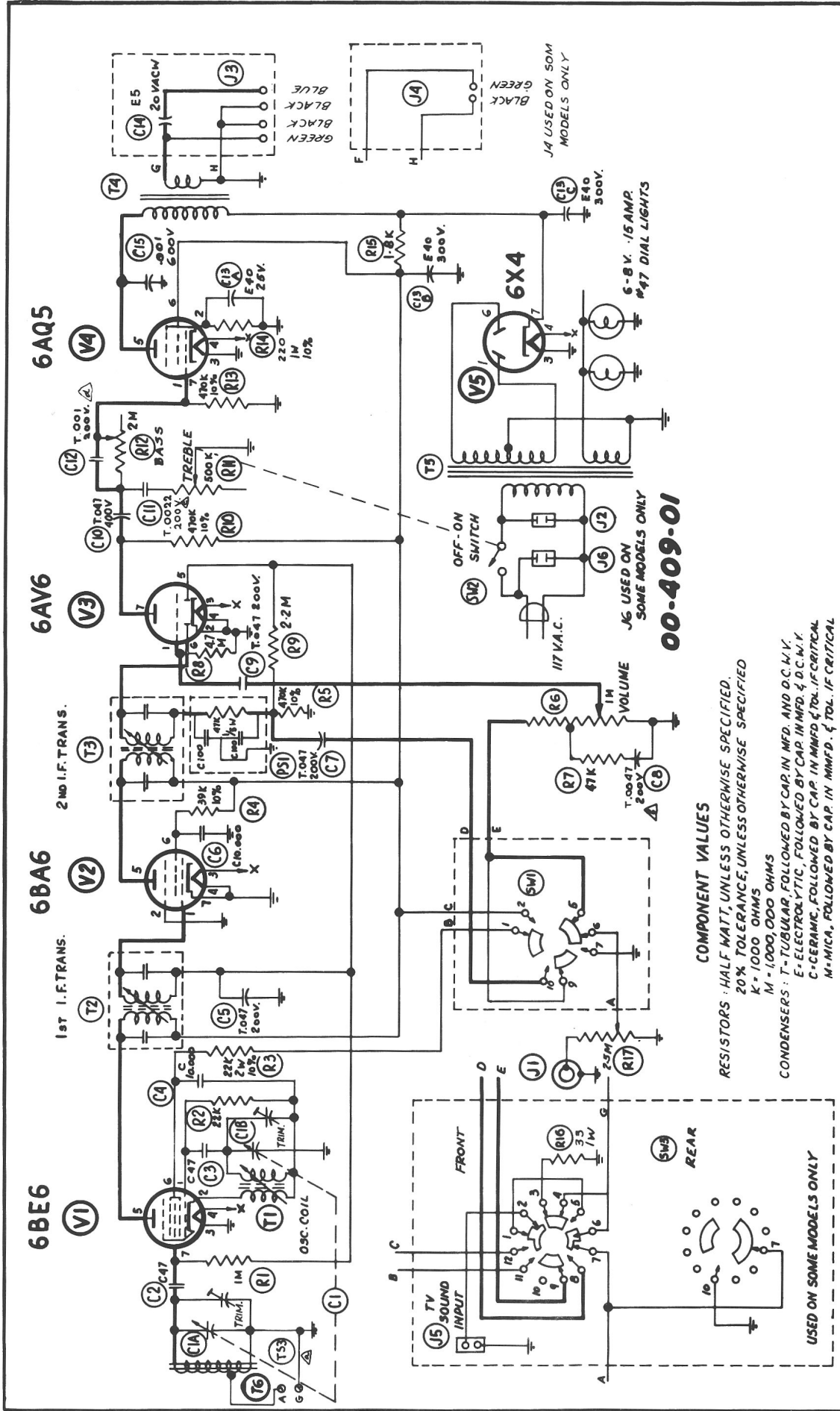
03-160006-03.....	BSR UA8 4-Speed Changer Complete 60 cy.
03-160007-01.....	BSR UA8 4-Speed Changer Complete 25 cy.
19-100004-01.....	10" Speaker
19-50001-01.....	5" Speaker (2)
53-10-02.....	Escutcheon (C-1065)
53-46-01.....	Knob (Tuning, Loudness) N-534-1
53-46-02.....	Knob (Selector, Treble and Bass)
16-250003-01.....	Astatic 312TB Cartridge
Replacement Stylus	LP Astatic N8-1J 78 " N8-3J

LEVEL SET CONTROL — This control is preset at the factory and should not require any further adjustment. It may be necessary, however, to re-adjust this control, when tubes are replaced or to compensate for the acoustics of the room, to prevent acoustical feed-back. This adjustment should only be made by a Service Technician.

- Procedure:**
1. Set selector switch on Phono position.
 2. Stop changer — place pickup on edge of record.
 3. Set Tone controls and Loudness control fully clockwise (→).
 4. Set Level Set Control at the point where rumble or acoustical feedback disappears.

Note: If more gain is preferred, this control may be turned fully clockwise to obtain the maximum output available. Other controls should be adjusted to prevent overdriving the amplifier and speaker system relative to acoustical feed-back.

THE T. EATON CO. LIMITED
CANADA



USED ON SOME MODELS ONLY

FRONT

REAR

TV SOUND INPUT

OFF-ON SWITCH

117 V.A.C.

J6 USED ON SOME MODELS ONLY

J4 USED ON SOME MODELS ONLY

6-8 V. 1/8 AMP #47 DIAL LIGHTS

00-409-01

COMPONENT VALUES

RESISTORS - HALF WATT, UNLESS OTHERWISE SPECIFIED.
 20% TOLERANCE, UNLESS OTHERWISE SPECIFIED.
 K = 1,000 OHMS
 M = 1,000,000 OHMS

CONDENSERS: T - TUBULAR, FOLLOWED BY CAP. IN MFD. AND D.C. H.V.
 E - ELECTROLYTIC, FOLLOWED BY CAP. IN MMFD. & D.C. H.V.
 C - CERAMIC, FOLLOWED BY CAP. IN MMFD. & TOL. IF CRITICAL
 M - MICA, FOLLOWED BY CAP. IN MMFD. & TOL. IF CRITICAL

CHANGE

DATE

CRK

ALIGNMENT AND SENSITIVITY

SIGNAL GENERATOR MODULATED 30% AT 400 CY.

STEP	APPLY SIGNAL THRU SERIES AT K.C. TO	SET GANG AT	NOMINAL SENSITIVITY FOR 500 MILLI/WATTS OUTPUT
1	6BA6	1600 KC	2600 μV
2	6BE6	1600 KC	90 μV
3	EXT. UNIT. CONTR. CONTROL	1460 KC	30 μV
4	600	600 KC	48 μV
5	535	400 Ω	CHECK ONLY
605		TUNE THRU	

USED ON SOME MODELS ONLY

FRONT

REAR

TV SOUND INPUT

OFF-ON SWITCH

117 V.A.C.

J6 USED ON SOME MODELS ONLY

J4 USED ON SOME MODELS ONLY

6-8 V. 1/8 AMP #47 DIAL LIGHTS