

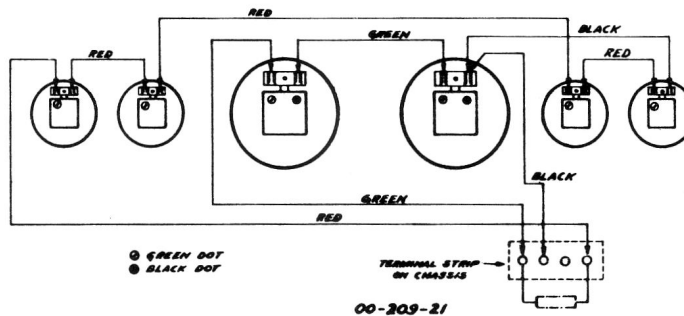
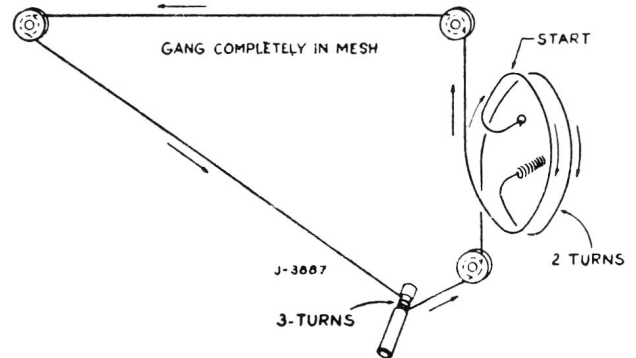
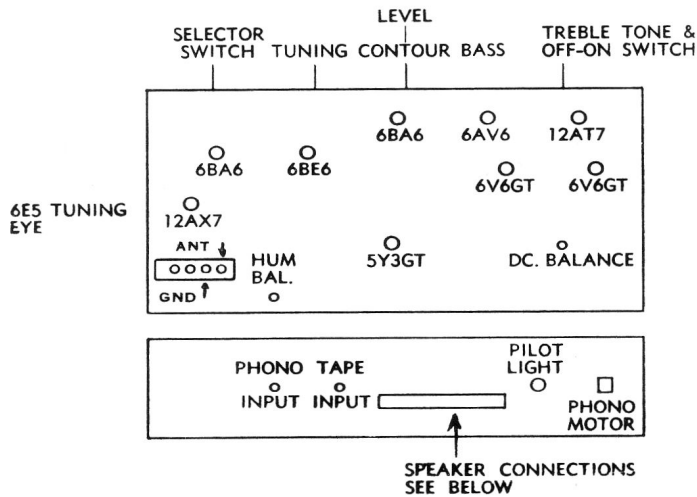
VIKING

Service Information for MODEL

RC-308R

When writing for Service Information, please quote model and serial number as found on the license label.

Always order Service Parts by part number. Part numbers are positive identification which ensures fast service and avoids unnecessary delays.



STRINGING DETAIL

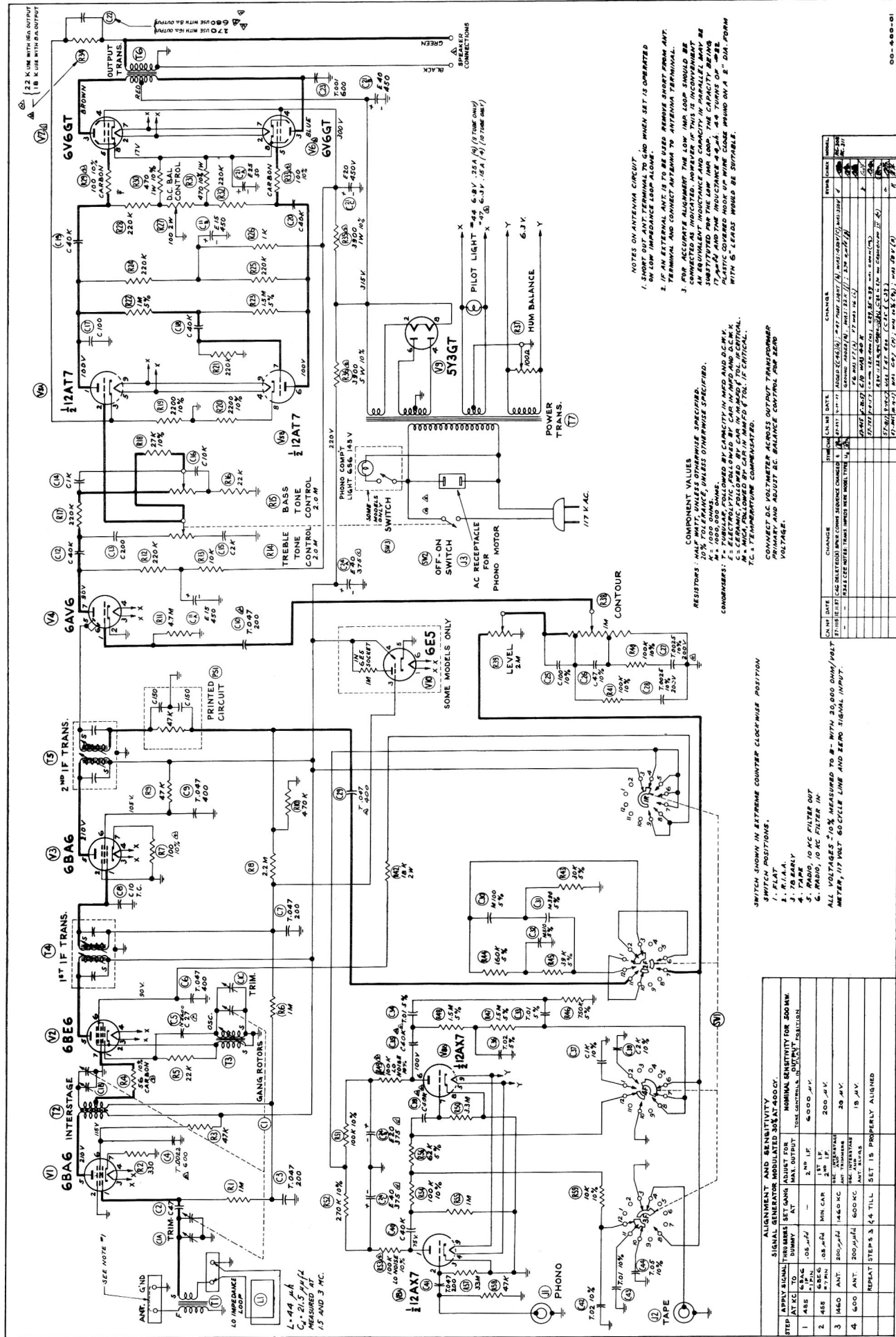
SPECIFICATIONS

Standard Broadcast Range 535 Kc - 1650 Kc
 Intermediate Frequency 455 Kc
 Power Consumption (Radio only) 90 Watts
 Power Consumption (Radio and Phono).. 105 Watts
 With tone controls in flat position, level and contour controls fully clockwise, all measurements (nominal) taken at level control input and 16 ohm output.
 Frequency Response — 1W level \pm 1 db., 30 cps to 15,000 cps.

*Harmonic Distortion—Less than 1% at normal operating levels.
 *Intermodulation Distortion—Less than 1% at normal operating levels (60 and 3000 cps. 4:1)
 Hum and Noise—80 db. below rated output.
 Maximum Power Output at 400 C.P.S.—15 Watts.
 Undistorted Power Output at 400 C.P.S.—10 Watts.
 *With matched output Tubes \pm 5%.

THE T. EATON CO LIMITED
CANADA

Schematic for Model RC-308R



SERVICE REPLACEMENT PARTS LIST FOR MODEL RC-308R

INSTALLATION PARTS

New Part No.	Old Part No.	Description	Suggested List Price
03-160001-15.....		Garrard RC88 4D Changer 60 cy.....	P.O.R.
03-160002-12.....		" " " " 25 "	P.O.R.
16-D23604.....		60 cy. 4 speed motor	19.50
16-D23254.....		25 cy. 4 " "	19.50
16-120006-05.....		Plug in Pick up Case and Hardware.....	1.68
16-120004-01.....		LRS3 45 rpm Automatic Spindle.....	5.00
16-B52764.....		Main Record Spindle (Large).....	3.00
16-A51347.....		Manual Record Spindle Kit (Small).....	1.45
16-250006-01.....		Cartridge GEPU VR11.....	8.95
16-120015-01.....		LP Diamond Stylus.....	15.90
16-120027-01.....		LP Sapphire Stylus GE 4G01S.....	2.95
16-120027-02.....		78 " " GE 4G03S.....	2.95
19-100001-01.....	K-1521.....	10" PM Speaker.....	15.25
19-50001-01.....	K-1644.....	5" PM Speaker Closed Back Tweeter.....	4.50
27-2-01.....	K-839.....	Pilot Lamp 6.3 Volt.....	.25
30-4-02.....		Control Panel	5.15
51-1-01.....		Loop Antenna Assembly.....	3.00
53-15-01.....	K-1736-1.....	Colour Tone Disc.....	1.15
53-15-02.....	K-1736-2.....	" " "	1.15
53-16-01.....	N-484-1.....	Knob Level Control.....	.85
53-17-01.....	N485-1.....	" Contour "85
53-18-01.....	N486-1.....	" Tuning "60
53-18-02.....	N486-2.....	" Selector - Bass - Treble & Switch.....	.60
53-9-06.....		Glass Retaining Strip.....	.35

CHASSIS PARTS

New Part No.	Old Part No.	Description	Symbol	Suggested List Price
21-401-01.....	P2704-1.....	Coil B.C. Interstage.....	T-2	1.55
21-421-01.....		" B.C. Oscillator	T-3	1.40
21-403-01.....	P3031.....	" B.C. Antenna	T-1	1.05
21-404-01.....	P-2923.....	I.F. Transformer	T4 - T5	1.75
24-10014-01.....		Power Transformer 60 cy.	T-7	12.76
24-20014-01.....		" " 25 cy.	T-7	20.40
24-80003-03.....	LK605-3.....	Output " 16 ohms.....	T-6	6.15
26-12-01.....	Q-348-1.....	Selector Switch	SW1	5.90
41-3-01.....	R375-10.....	Control Bass Tone.....	R-15	1.10
41-4-01.....	R376-10.....	" Treble " & Switch.....	R-14	1.50
41-5-01.....	R442-1.....	" Level & Contour.....	R39 R38	2.00
42-1-13.....	H536-13.....	Resistor 3900 ohm WW \pm 10% 5W.....	R3640
42-2-03.....	H537-3.....	" 100K " Low Noise \pm 10% 1/2 Watt.....	R49 R5350
44-2-01.....	G503.....	Electrolytic 40-20-ufd x 450V, 25 ufd x 50V.....	C-21	3.64
44-3-01.....	G522.....	" 40-40-20 ufd x 375V.....	C24	5.16
44-4-01.....	G591.....	" 15-15 ufd x 450V.....	C11	3.40
44-5-01.....	G604-1.....	" 5 ufd x 20V Non-polarized.....	C45	1.20
45-6-02.....	V387-2.....	Gang Cond. 3 Section.....	C1	5.36
50-1-01.....	K1394.....	Filpec PC50	PS160

P.O.R. — Price on Request