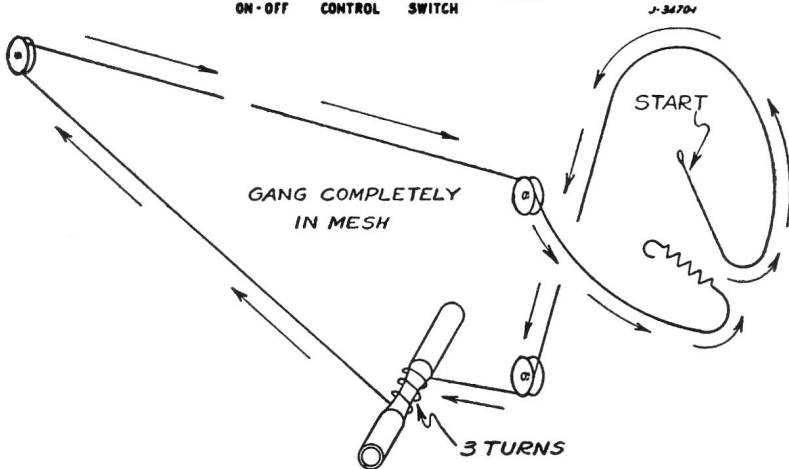
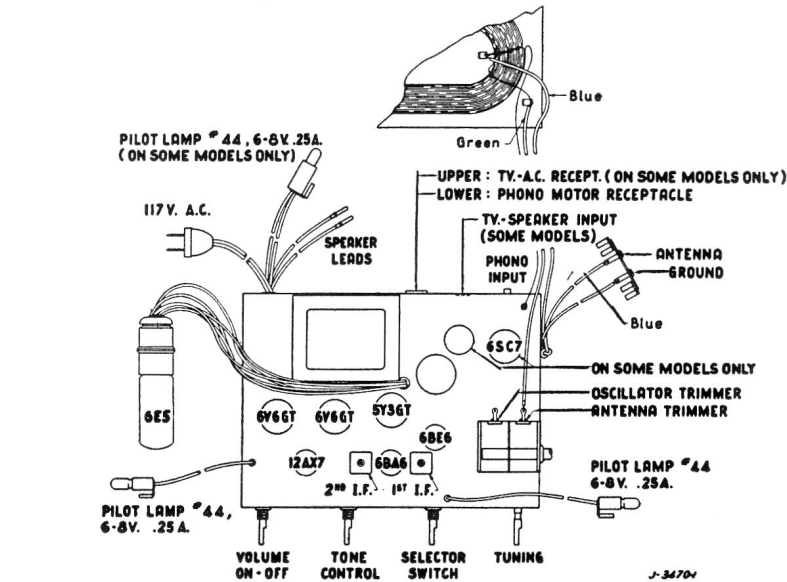


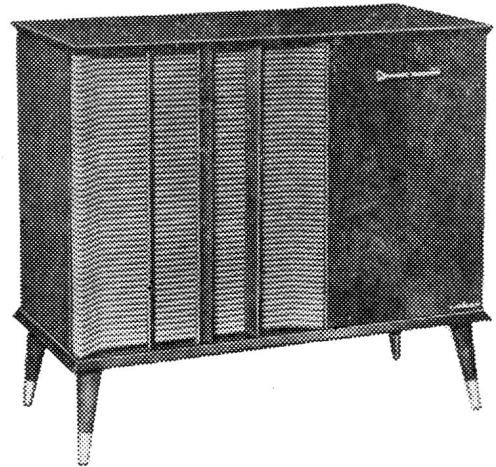
VIKING Service Information for MODEL RC-268

7 Tube, 1 Band **RC-268A**

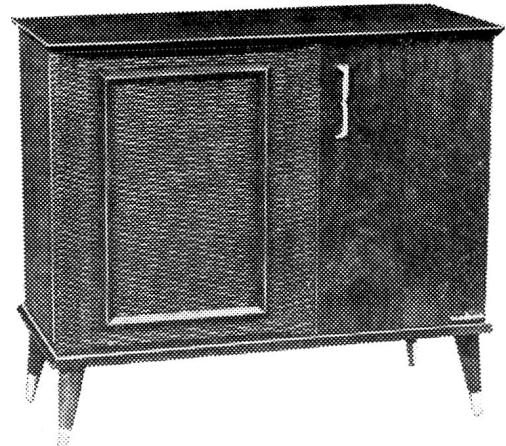


STRINGING DETAIL

J-3034



RC-268



RC-268A

FOR Operation on 110-120 Volts A.C. — Cycle as listed on License Plate.

SPECIFICATIONS

Standard Broadcast Range	535 Kc — 1650 Kc
Intermediate Frequency	455 Kc.
Power Consumption (Radio Only)	70 Watts
Power Consumption (Radio and Phono)	85 Watts
Undistorted Output	6 Watts
Maximum Power Output	9 Watts

When writing for Service Information or Parts please quote Model Number Serial Number and finish of cabinet.

FOR ALIGNMENT AND SENSITIVITY DATA SEE SCHEMATIC

SERVICE REPLACEMENT PARTS LIST

- A-3008.....Glass Dial Scale
- B-4285-3.....Drive Shaft
- G-504.....Dual Electrolytic 40 & 20 ufd at 450 W.V.
- K-771A.....Pilot Lamp No. 44, .25 Amp. 6-8 Volt
- K-875-1.....Phono Socket
- K-923.....AC. Receptacle
- LK-515-2.....Output Transformer—
60 cycle, LK-453-4
25 cycle, LK-452-4
- MP-1204-46...Pointer & Slider Assy.
- P-2438-1.....BC. Oscillator Coil
- P-2923.....I.F. Transformer (1st. & 2nd.)
- P-2959.....Loop Ant. Assy.
- Q-299-3.....Selector Switch

- R-339-3.....Volume Control & AC. Switch
- R-371-4.....Tone Control
- V-372-4.....Gang Cond. & Drum Assy.

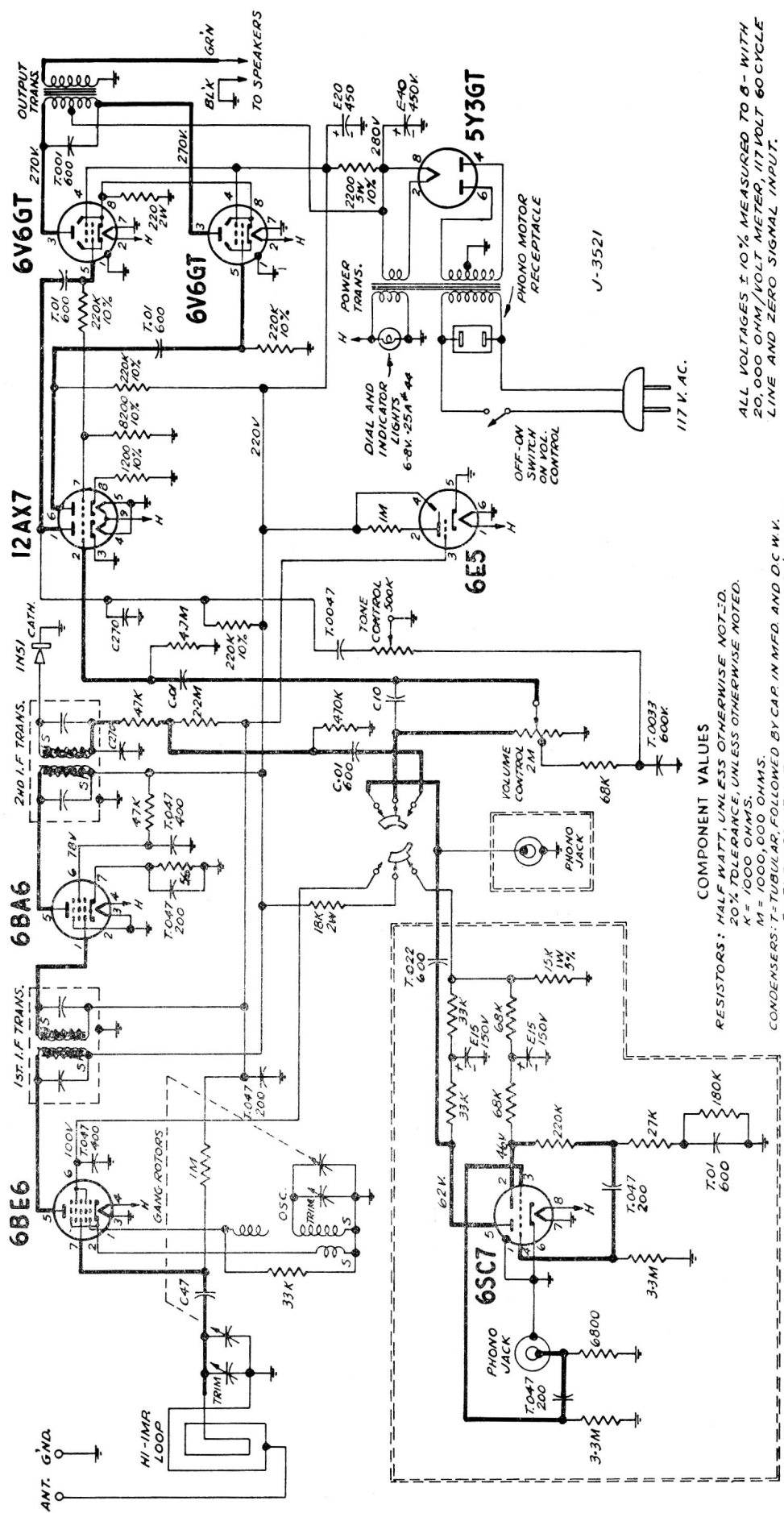
INSTALLATION

- C-835.....Record Adapter Insert
- K-1639.....Coaxial Speaker
- N-348-3.....Knob (Plastic), Push-on Type
- N-356-2.....Knob (Plastic) Selector Switch

AUTOMATIC RECORD CHANGER

- P-2928-4.....Webster Model 152, 60 cycle Record Changer, complete
- P-2929-4.....Webster Model 152, 25 cycle Record Changer, complete
- K-1761.....Electrovoice Model 56 C cartridge

THE T. EATON CO. LIMITED
CANADA



COMPONENT VALUES

RESISTORS: HALF WATT, UNLESS OTHERWISE NOTED.
 20% TOLERANCE, UNLESS OTHERWISE NOTED.
 K = 1000 OHMS.
 M = 1000,000 OHMS.

CONDENSERS: T = TUBULAR, FOLLOWED BY CAP. IN MF. AND D.C. W.V.
 E = ELECTROLYTIC, FOLLOWED BY CAP. IN MF. AND D.C. W.V.
 C = CERAMIC, FOLLOWED BY CAP. IN MMFD. & TOL. IF CRITICAL.
 M = MICA, FOLLOWED BY CAP. IN MMFD. & TOL. IF CRITICAL.

* FASHION LOOP OF SEVERAL TURNS OF WIRE AND RADIATE SIGNAL INTO LOOP OF RECEIVER. ADJUST FOR MAXIMUM OUTPUT.

ALL VOLTAGES $\pm 10\%$ MEASURED TO G - WITH 20,000 OHM/VOLT METER, 117 VOLT 60 CYCLE LINE AND ZERO SIGNAL INPUT.

TV - PHONO - RADIO SWITCH SHOWN IN TV (COUNTER-CLOCKWISE) POSITION.

ALL DETAILS SHOWN IN DOUBLE OUTLINED SECTIONS ARE USED ON SOME MODELS ONLY.

STEP	SIGNAL		ALIGNMENT AND SENSITIVITY		ADJUST FOR	NOMINAL SENSITIVITY
	AT KC	THRU SERIES DUMMY	SET GANG AT	AT		
1	455	6BA6 #1 P/P	.05	ARM CORES	2ND I.F.	34.00 μ V
2	455	6BE6 #1 P/P	.05	MIN. CAP. ARM CORES	1ST & 2ND I.F.	90 μ V
3	1460	6BE6 #1 P/P	.05	OSC TRIM.	B.C	—
4	1460	ANT.	*	B.C ANT. TRIM.	—	120 μ V/M
5	600	ANT.	*	—	—	320 μ V/M

C.N.	NO.	DATE	CHANGE	SYMB.	CK.