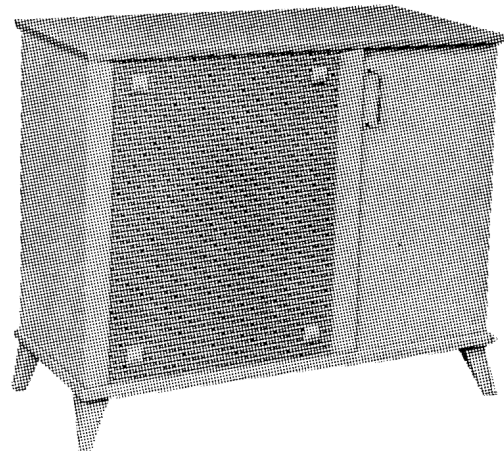
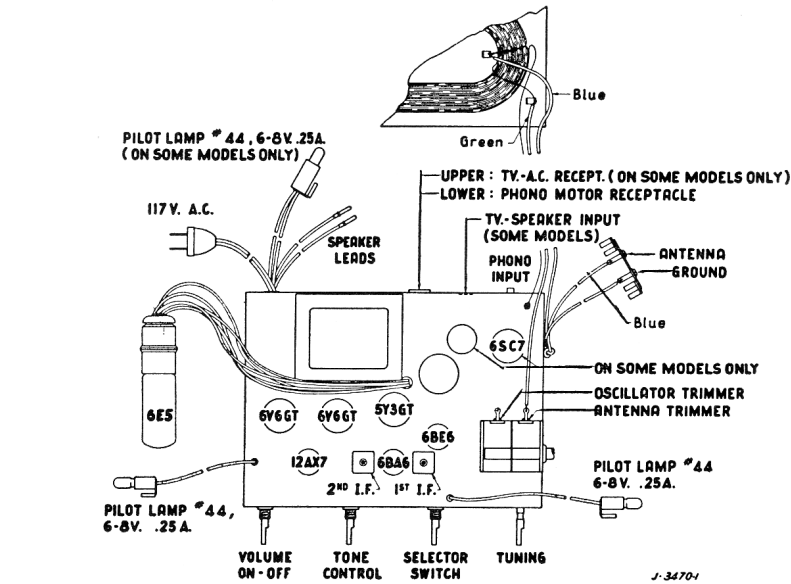


# VIKING Service Information for MODEL RC-244

7 Tube, 1 Band

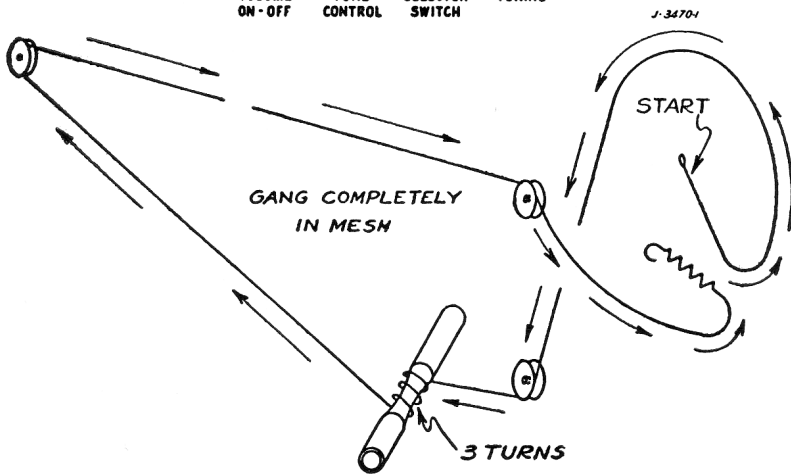


## SPECIFICATIONS

Standard Broadcast Range .....	535 Kc — 1650 Kc
Intermediate Frequency .....	455 KC.
Power Consumption (Radio Only) .....	70 Watts
Power Consumption (Radio and Phono) .....	85 Watts
Undistorted Output .....	6 Watts
Maximum Power Output .....	9 Watts

When writing for Service Information or Parts  
please quote Model Number  
Serial Number and finish of cabinet.

FOR ALIGNMENT AND SENSITIVITY DATA  
SEE SCHEMATIC



STRINGING DETAIL

FOR Operation on 110-120 Volts A.C. — Cycle as listed on License Plate.

## SERVICE REPLACEMENT PARTS LIST

- A-2863.....Glass Dial Scale
- B-4285-3.....Drive Shaft
- G-504.....Dual Electrolytic 40 & 20 ufd at  
450 W.V.
- G-531.....Dual Electrolytic 15 & 15 lfd at  
150 W.V.
- K-771A.....Pilot Lamp No. 44, .25 Amp. 6-8 Volt
- K-875-1.....Phono Socket
- K-923.....AC. Receptacle
- LK-515-2.....Output Transformer
- Power Transformer—  
60 cycle, LK-453-4  
25 cycle, LK-452-4
- MP-1204-46...Pointer & Slider Assy.
- P-2438-1.....BC. Oscillator Coil
- P-2485R.....I.F. Transformer (1st. & 2nd.)
- P-2519.....Loop Ant. Assy.

- Q-299-3.....Selector Switch
- R-339-3.....Volume Control & AC. Switch
- R-371-4.....Tone Control
- V-372-4.....Gang Cond. & Drum Assy.

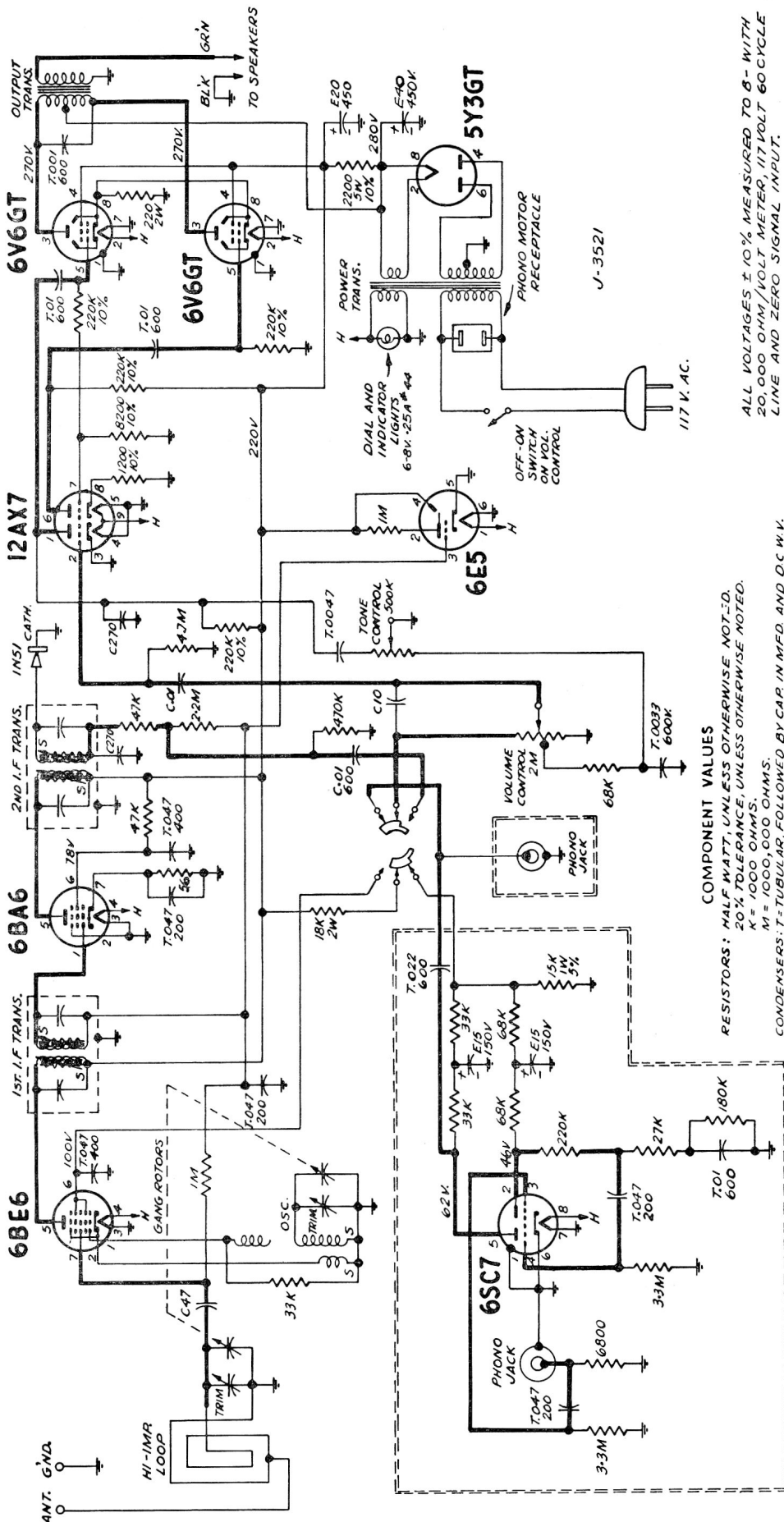
## INSTALLATION

- C-835.....Record Adapter Insert
- K-1639.....Coaxial Speaker
- N-348-3.....Knob (Plastic), Push-on Type
- N-356-2.....Knob (Plastic) Selector Switch

## AUTOMATIC RECORD CHANGER

- P-2786-1.....Webster Model 140, 60 cycle Record  
Changer, complete
- P-2787-1.....Webster Model 140, 25 cycle Record  
Changer, complete
- Sonotone No. 9980S Ceramic Cartridge.

THE **T. EATON CO.** LIMITED  
C A N A D A



COMPONENT VALUES

RESISTORS: HALF WATT, UNLESS OTHERWISE NOTED.  
 20% TOLERANCE, UNLESS OTHERWISE NOTED.  
 R = 1000 OHMS.  
 CONDENSERS: T-TUBULAR; FOLLOWED BY CAP. IN MMFD. AND D.C. M.V.  
 E-ELECTROLYTIC; FOLLOWED BY CAP. IN MMFD. 5% TOL. IF CRITICAL.  
 M-MICA; FOLLOWED BY CAP. IN MMFD. 5% TOL. IF CRITICAL.

\* FASHION LOOP OF SEVERAL TURNS OF WIRE AND RADIATE SIGNAL INTO LOOP OF RECEIVER. ADJUST FOR MAXIMUM OUTPUT.

ALIGNMENT AND SENSITIVITY				
STEP	SIGNAL APPLY AT KC.	SIGNAL THRU SERIES SET GANG TO DUMMY AT	ADJUST FOR NOMINAL SENSITIVITY AT	MAX. OUTPUT FOR 500 MILLIWATTS INPUT.
1	455	6BA6 #1 PIN .05	IRON CORES	3400 $\mu$ V.
2	455	6BE6 #1 PIN .05	MIN. CAR. IRON CORES	90 $\mu$ V.
3	1460	6BE6 #1 PIN .05	OSC. TRIM. B.C. ANT. TRIM.	—
4	1460 ANT.	*	1460 KC	120 $\mu$ V./M.
5	600 ANT.	*	600 KC.	320 $\mu$ V./M.

C.N. No.	DATE	CHANGE	SYMB.	CK.

ALL VOLTAGES  $\pm$  10% MEASURED TO 0 - WITH 20,000 OHM/VOLT METER, 117 VOLT 60 CYCLE LINE AND ZERO SIGNAL INPUT.

TV - PHONO - RADIO SWITCH SHOWN IN TV (COUNTERCLOCKWISE) POSITION.

ALL DETAILS SHOWN IN DOUBLE OUTLINED SECTIONS ARE USED ON SOME MODELS ONLY.

J-3521