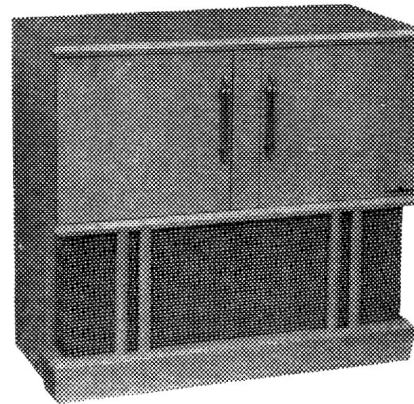
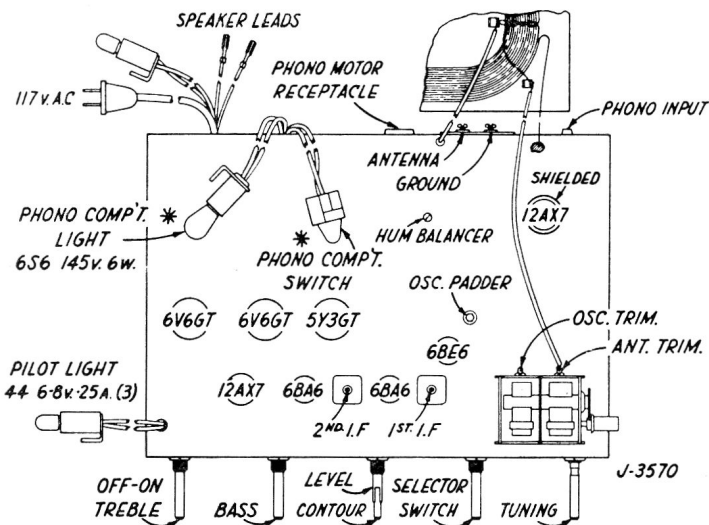


VIKING Service Information for MODEL RC-217

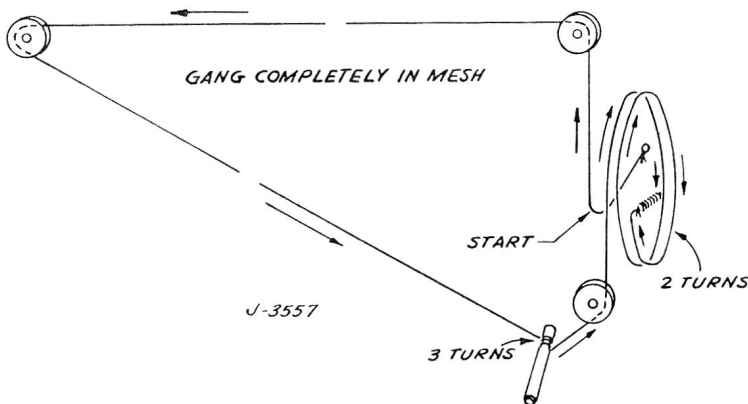


SPECIFICATIONS

Standard Broadcast Range	535 Kc — 1650 Kc
Intermediate Frequency	455 KC.
Power Consumption (Radio Only),	75 Watts
Power Consumption (Radio and Phono)	90 Watts
Undistorted Output	10 Watts
Maximum Power Output	14 Watts

When writing for Service Information or Parts
please quote Model Number
Serial Number and finish of cabinet.

FOR ALIGNMENT AND SENSITIVITY DATA
SEE SCHEMATIC



FOR Operation on 110-120 Volts A.C. — Cycle as listed on License Plate.

HUM BALANCER

A Hum-Balancer has been incorporated in this receiver to balance out hum which may be present because of the high gain and wide frequency response of the audio portion of the receiver. It may be found necessary to re-adjust the hum-balancer for minimum hum reproduction when the 12AX7 tube is replaced. Set the tone control in its extreme left hand position, turn the selector switch to phono position, the volume control full on and adjust the hum-balancer for minimum hum level.

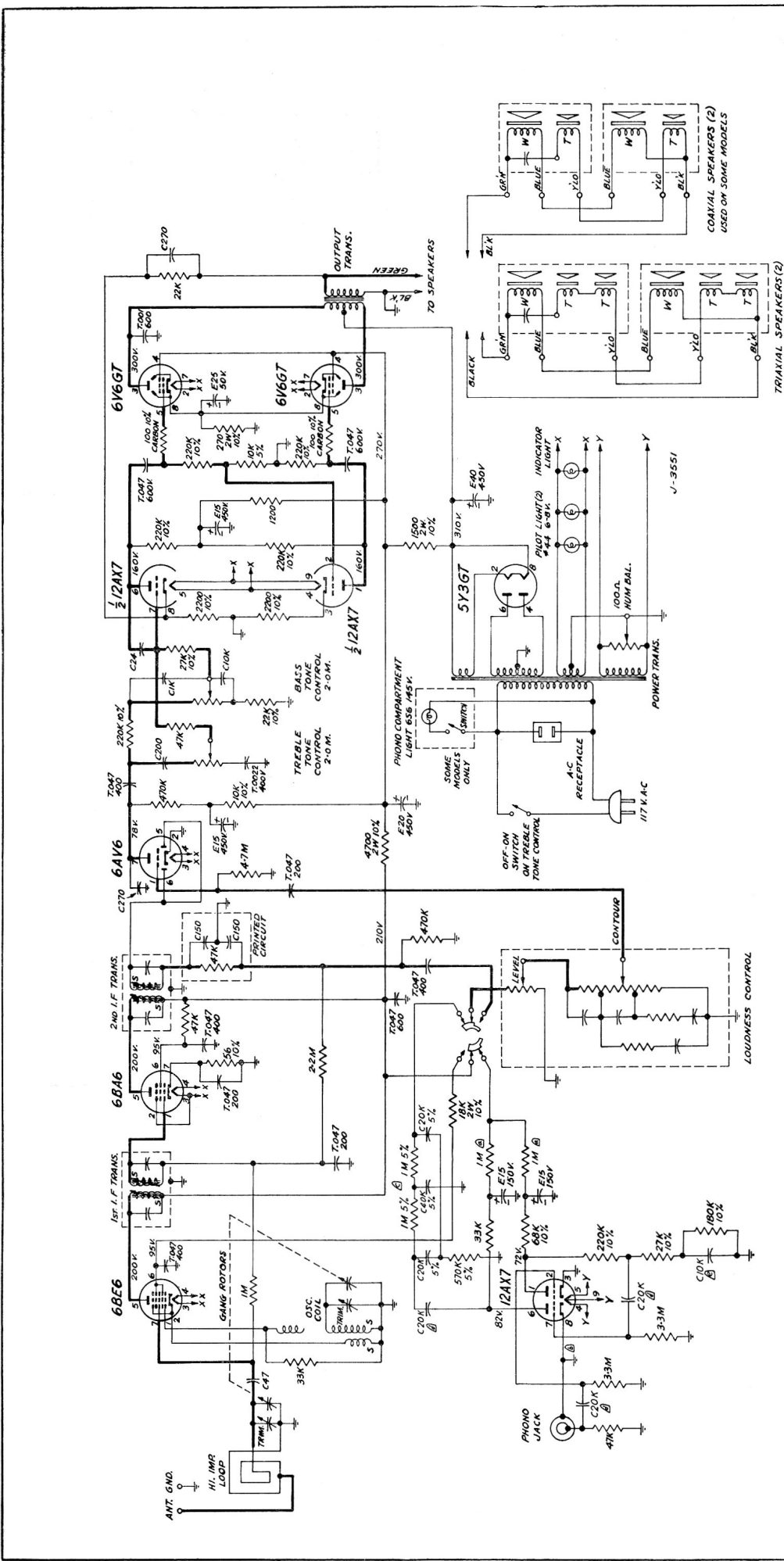
SERVICE REPLACEMENT PARTS LIST

A-2757.....Dial Scale	Q-299-6.....Selector Switch
B-4123-5.....Drive Shaft	R-375-7.....Bass Tone
G-503.....Electrolytic — Triple — Can Type (40 & 20 ufd X 450 DC WV) (25 ufd X 50 DC WV)	R-376-6.....Off-On-Treble Tone
G-591.....Electrolytic Dual — Can Type (15 & 15 ufd X 450 DC WV)	R-393-1.....Dual Level & Contour Control (Senior Loudness Control)
K-771A.....Pilot Lamp No. 44, .25 Amp. 6-8 Volt	R-391-1.....Hum Balancer
K-875-1.....Phono Socket	
K-923.....AC Outlet	
LK-537-1.....Power Transformer 25 Cycle or	
LK-558-1.....Power Transformer 60 Cycle	
LK-560-2.....Output Transformer	
MP-1204-45.....Pointer & Slider Assy.	
P-2438-1.....Osc. Coil	
P-2485R.....I.F. Transformer Assy.	
P-2725-3.....Loop Ant. Assy. (60 Cycle Marking) or	
P-2725-4.....Loop Ant. Assy. (25 Cycle Marking)	

INSTALLATION

C-957.....Escutcheon
K-1653.....Coaxial Speaker
K-1659.....Coaxial Speaker
N-410-1.....Knob (Selector, Bass Tone, Treble Tone)
N-411-1.....Knob (Tuning)
N-404-2.....Knob (Rear—Level Control)
N-403-2.....Knob (Front—Contour Control)
P-2651-10.....Garrard Changer Assy.—60 Cycle
P-2652-10.....Garrard Changer Assy.—25 Cycle
K-1308-2.....G.E. Cartridge

THE **T. EATON CO.** LIMITED
C A N A D A



COMPONENT VALUES
 RESISTORS: HALF WATT, UNLESS OTHERWISE NOTED.
 20% TOLERANCE, UNLESS OTHERWISE NOTED.
 M = 1000, 000 OHMS.
 CONDENSERS: T = TUBULAR, FOLLOWED BY CAP. IN MED. AND D.C.W.V.
 E = ELECTROLYTIC, FOLLOWED BY CAP. IN MED. AND D.C.W.V.
 C = CERAMIC, FOLLOWED BY CAP. IN MMFD. FOR I.F. CRITICAL.

ALL VOLTAGES ± 10% MEASURED TO B- WITH 20,000 OHM/VOLT METER, 117 VOLT 60 CYCLE LINE AND ZERO SIGNAL INPUT.
 PHONO RADIO SWITCH SHOWN IN PHONO (COUNTERCLOCKWISE) POSITION.
 USED ON SOME MODELS.

STEP	APPLY SIGNAL AT KC	THRU SERIES DUMMY AT	SET GAIN AT	ADJUST FOR MAX. OUTPUT	NOMINAL SENSITIVITY FOR 500 MILLIWATTS OUTPUT
1	455	6B46 #1 PIN	.05	2ND I.F. FROM GEAR	2200 μV
2	455	6B66 #7 PIN	.05	1ST 2ND I.F. FROM GEAR	60 μV
3	1460	6B66 #7 PIN	.05	1460 KC OSC. TRIM	—
4	1460	ANT. #1	*	1460 KC ANT. TRIM	90 μV/M
5	600	ANT. #1	*	600 KC	160 μV/M

C.N. NO.	DATE	CHANGE	SYM. CK.
51-38512-31-54	WAS 100X	ⓐ	
	GROUND ADDED	ⓑ	
	RUMBLE FILTER	ⓒ	
	ADDED	ⓓ	
	WAS C-02	ⓔ	