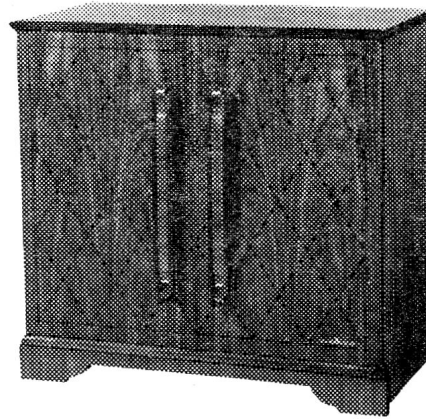
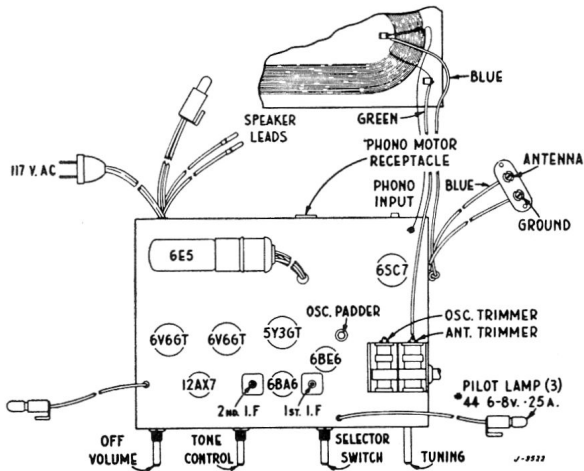


VIKING Service Information for MODEL RC-205

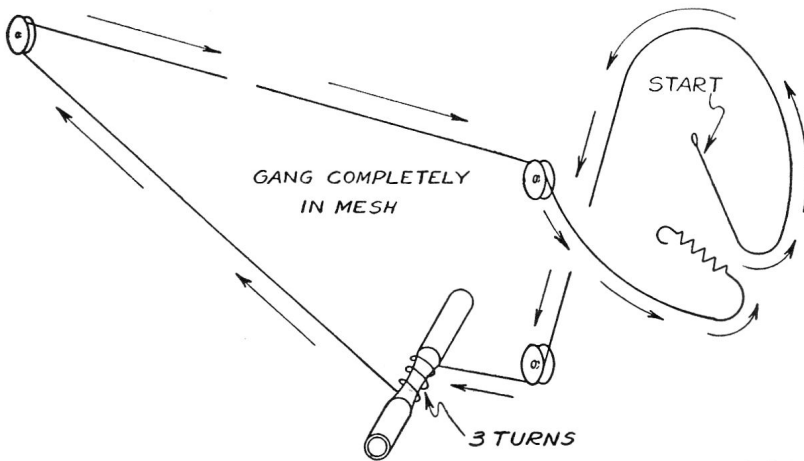


SPECIFICATIONS

Standard Broadcast Range	535 Kc — 1650 Kc
Intermediate Frequency	455 KC.
Power Consumption (Radio Only)	70 Watts
Power Consumption (Radio and Phono)	85 Watts
Undistorted Output	6 Watts
Maximum Power Output	9 Watts

When writing for Service Information or Parts
please quote Model Number
Serial Number and finish of cabinet.

FOR ALIGNMENT AND SENSITIVITY DATA
SEE SCHEMATIC



STRINGING DETAIL

J-3034

FOR Operation on 110-120 Volts A.C. — Cycle as listed on License Plate.

SERVICE REPLACEMENT PARTS LIST

- A-2750.....Glass Dial Scale
- B-4285-3.....Drive Shaft
- G-504.....Dual Electrolytic 40 & 20 ufd at
450 W.V.
- G-531.....Dual Electrolytic 15 & 15 lfd at
150 W.V.
- K-771A.....Pilot Lamp No. 44, .25 Amp. 6-8 Volt
- K-875-1.....Phono Socket
- K-923.....AC. Receptacle
- LK-515-2.....Output Transformer
Power Transformer—
60 cycle, LK-453-4
25 cycle, LK-452-4
- MP-1204-46...Pointer & Slider Assy.
- P-2438-1.....BC. Oscillator Coil
- P-2485R.....I.F. Transformer (1st. & 2nd.).
- P-2519.....Loop Ant. Assy.
- Q-299-3.....Selector Switch

- R-339-3.....Volume Control & AC. Switch
- R-371-4.....Tone Control
- V-372-4.....Gang Cond. & Drum Assy.

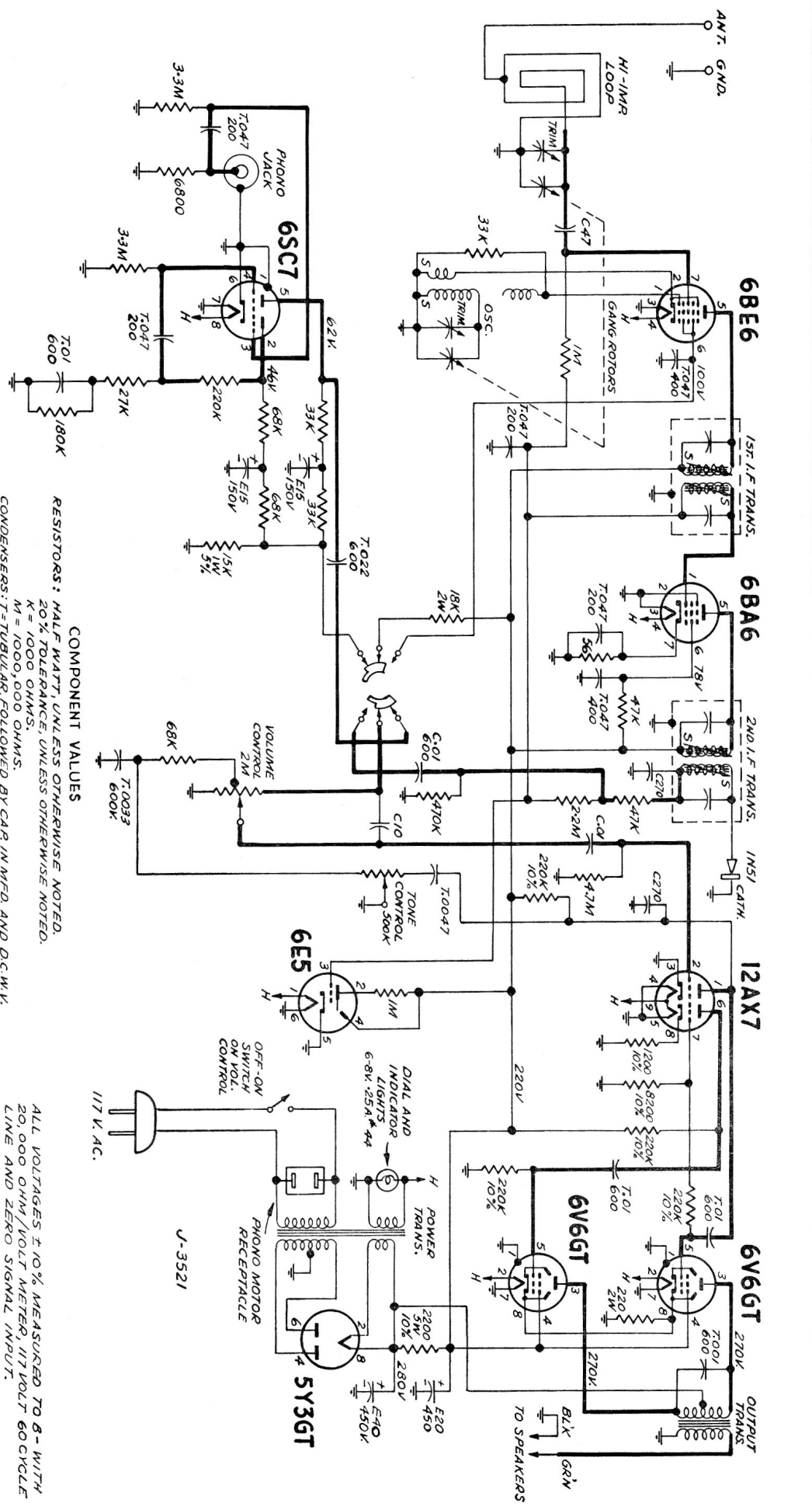
INSTALLATION

- C-951.....Eseutcheon
- C-835.....Record Adapter Insert
- K-1646.....Triaxial Speaker
- N-348-3.....Knob (Plastic), Push-on Type
- N-356-2.....Knob (Plastic) selector Switch

AUTOMATIC RECORD CHANGER

- P-2546-14.....Webster Model 114, 60 cycle Record
Changer, complete
- P-2547-14.....Webster Model 114, 25 cycle Record
Changer, complete
- K-1308-1.....G. E. Variable Reluctance Cartridge
with Reversible Needle

THE T. EATON CO. LIMITED
CANADA



ALIGNMENT AND SENSITIVITY
SIGNAL GENERATOR MODULATED 30% AT 400 CY.

STEP	APPLY SIGNAL AT KC.	THRU SERIES DUMMY	SET GANG ADJUST FOR MAX OUTPUT FOR 500 MILLIVOLTS INPUT AT	NOMINAL SENSITIVITY
1	435	68A6 #1 PIN	.05	3400 μ V
2	455	68E6 #7 PIN	.05	90 μ V
3	1460	68E6 #7 PIN	.05	—
4	1460	ANT.	*	120 μ V/M.
5	600	ANT.	*	320 μ V/M.

COMPONENT VALUES
RESISTORS: HALF WATT, UNLESS OTHERWISE NOTED. 20% TOLERANCE, UNLESS OTHERWISE NOTED.
CONDENSERS: T=TUBULAR, FOLLOWED BY CAR IN MFD. AND D.C. W.V. E=ELECTROLYTIC, FOLLOWED BY CAR IN MFD. μ TOL IF CRITICAL. M=MICA, FOLLOWED BY CAR IN MFD. μ TOL IF CRITICAL.

* FASHION LOOP OF SEVERAL TURNS OF WIRE AND RADIATE SIGNAL INTO LOOP OF RECEIVER. ADJUST FOR MAXIMUM OUTPUT.

STEP	APPLY SIGNAL AT KC.	THRU SERIES DUMMY	SET GANG ADJUST FOR MAX OUTPUT FOR 500 MILLIVOLTS INPUT AT	NOMINAL SENSITIVITY	C.N. NO.	DATE	CHANGE	SYMB.	CK.
1	435	68A6 #1 PIN	.05	3400 μ V					
2	455	68E6 #7 PIN	.05	90 μ V					
3	1460	68E6 #7 PIN	.05	—					
4	1460	ANT.	*	120 μ V/M.					
5	600	ANT.	*	320 μ V/M.					

J-3521