

VIKING

Portable Stereo Electric Phonographs

Model PMPS-409

4 SPEED 2 TUBE MANUAL

Peak Power Output 3 watts

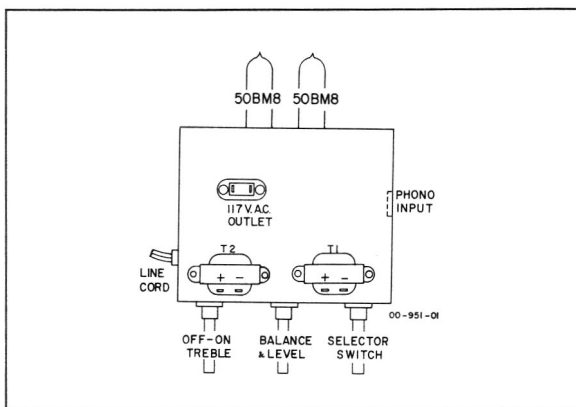
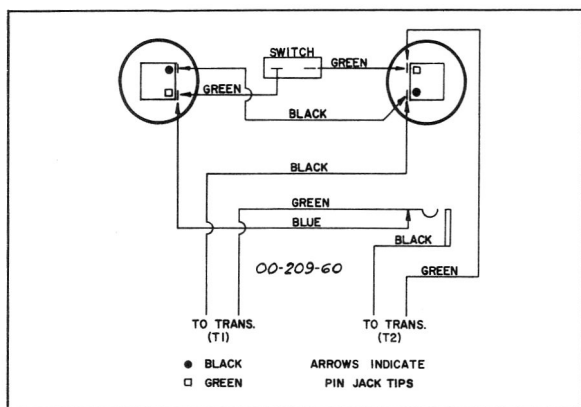
Power Consumption 45 VA.

Model PAPS-410,412

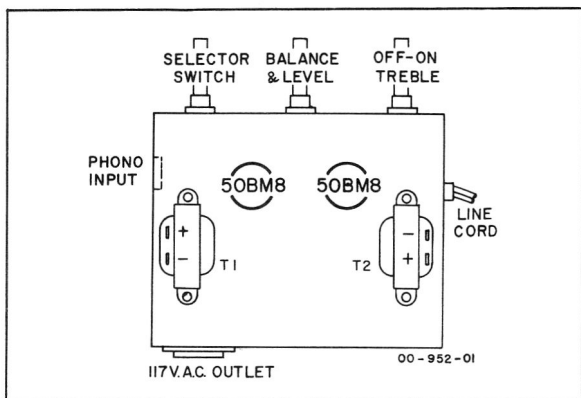
4 SPEED 2 TUBE AUTOMATIC

Peak Power Output 3 watts

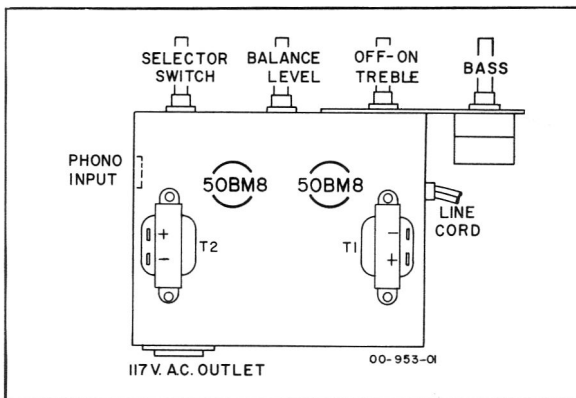
Power Consumption 45 VA.



PMPS-409



PAPS-410



PAPS-412

CAUTION FOR SERVICEMEN

Any serviceman working with this unit when it is out of the cabinet should take special care not to come into contact with any ground connections.

When writing for Service Information, please quote model and serial number. Always order service parts by number. Part numbers are positive identification which ensures fast service and avoids unnecessary delays

Serial number will be found under turntable mat.

THE T. EATON CO LIMITED
CANADA

SERVICE REPLACEMENT PARTS LIST

FINAL ASSEMBLY

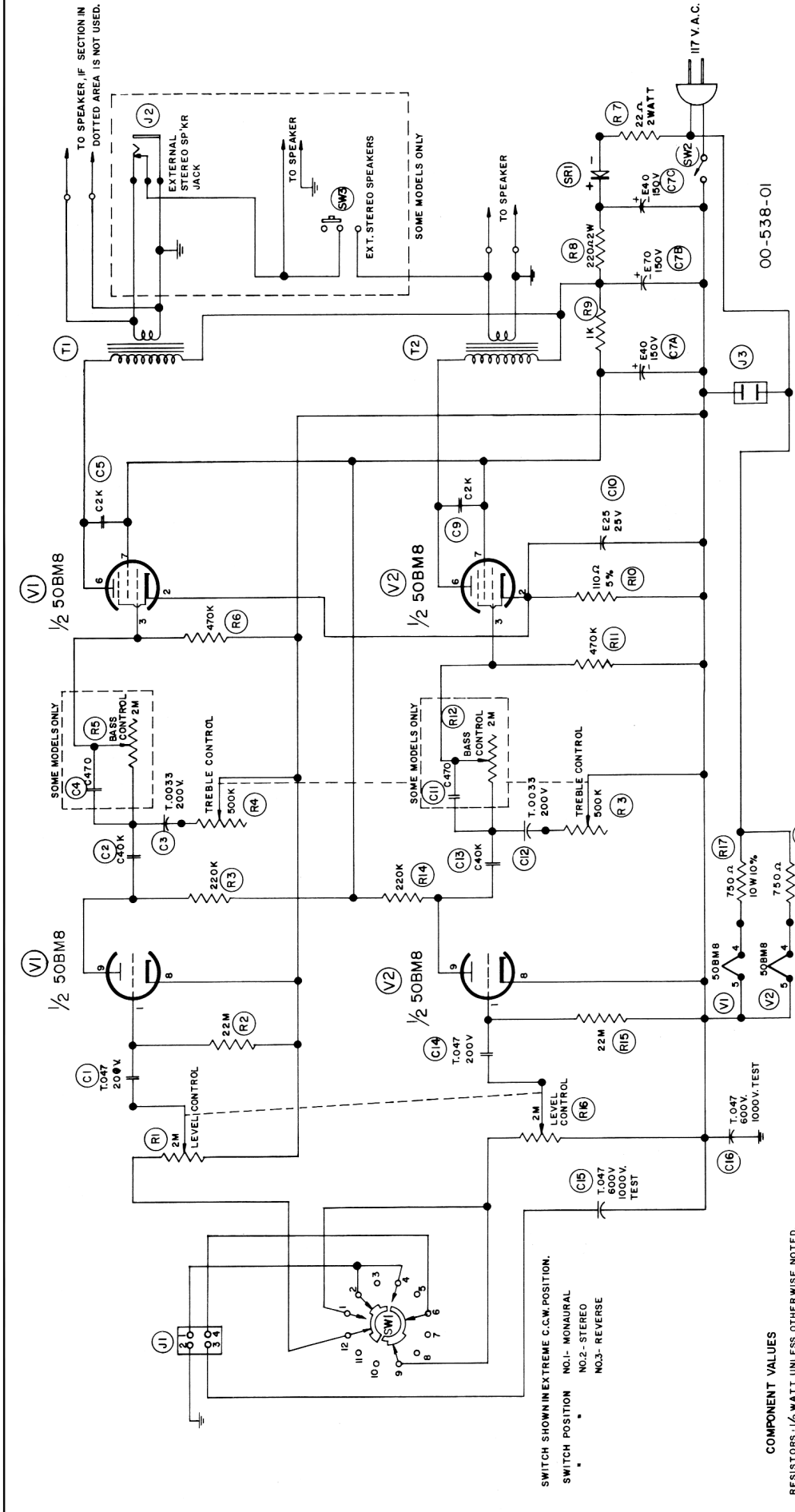
13-82-01	Curtain PMPS-409
13-85-01	Curtain PAPS-410
13-91-01	Curtain PAPS-412
26-2-01	Slider Switch - S.P.S.T.
03-160025-01	Motor Assembly - PMPS-409 Only
16-210003-01	4 Speed BSR Motor PMPS-409
34-87-01	AC Plug
16-90010-05	BSR Changer Complete - PAPS-410 & 412
16-250004-03	TC8S BSR Stereo Cartridge
16-120036-01	.7mil LP Sapphire Needle
16-120017-02	3mil 78 Sapphire Needle
12-17550-51	Portable Phono Case - PMPS-409
12-17561-51	Portable Phono Case - PAPS-410
12-17571-51	Portable Phono Case - PAPS-412
13-81-01	Motor Board - PMPS-409
13-84-01	Changer Mounting Board - PAPS-410
13-92-01	Changer Mounting Board - PAPS-412
13-83-01	Speaker Mounting Baffle PMPS-409 - 2 Used
16-120023-01	Turntable PMPS-409
16-120024-03	Tone Arm and Cartridge Assembly PMPS-409
16-250004-03	TC8S BSR Stereo Cartridge PMPS-409
16-120036-01	.7mil LP Sapphire Needle
16-120017-02	3 mil 78 Sapphire Needle
19-40003-01	4" PM Speaker PMPS-409 Only - 2 Used
19-50003-01	5" PM Speaker PAPS-410 & 412 - 2 Used
30-58-01	Control Panel PAPS-412 Only
53-40-11	Knob - Monaural-Stereo-Reverse
53-430-01	Knob - Level Balance
53-40-13	Knob - Off-Treble
53-40-14	Knob - Bass Control - PAPS-412 Only
53-427-03	Knob - Rear Section
53-141-01	Viking Name Plate
53-432-01	Stereophonic Name Plate

2 TUBE AC/DC STEREO AMPLIFIER CHASSIS

50BM8	Radiotron
24-80043-01	Output Transformer PMPS-409 Only
24-80043-02	Output Transformer PAPS-410 & 412
26-47-02	Selector Switch
28-9-02	Selenium Rectifier
41-120-03	Dual Control - Tone & AC Switch - All Models
41-121-03	Dual Control - Bass PAPS-412 Only
41-108-04	Dual Control - Level. - All Models
44-70-01	Electrolytic - Single - 25ufd X 25 volts
44-74-01	Electrolytic 40-40-70 ufd X 150 volts

CHASSIS BASE RIVETED

34-13-01	AC Receptacle
34-77-01	Phono Socket - 4 Prong
42-14-06	Upright Resistor - 750 ohms 10 watt



COMPONENT VALUES

RESISTORS - 1/2 WATT UNLESS OTHERWISE NOTED.
20% TOLERANCE UNLESS OTHERWISE NOTED.

K=1000
M=10000000

CONDENSERS - T= TUBULAR, F= FOLLOWED BY CAP. IN MFD & DC WV
E= ELECTROLYTIC
C= CERAMIC
M= MICA

C.N. NO.	CHANGE	DATE	CHK

SCALE DATE DRAWN BY CHECK APPROVED
1:25:30 (DATE)
1:25:30 (DATE)

WIRING DIAGRAM
MAY 1958
KITCHENER
CANADA