

Service Information and Parts List for

VIKING

FOUR SPEED MANUAL MONAURAL

PORTABLE ELECTRIC PHONOGRAPH

Undistorted Power Output5 Watts
 Maximum Power Output 1.5 Watts
 Power Consumption26A
 Tube 25EH5

For Operation on 110 - 120 Volts A.C. Cycle as Marked.

REPLACEMENT PARTS LIST

FINAL ASSEMBLY

Part No.	Description
12-25450-51	Portable Phono Case - Turquoise and Mallard Green
12-25450-52	Portable Phono Case - Sahara and Sandalwood
13-208-02	Motor Board - TU12
16-120045-01	50 Cycle Rotor (50 cycle models only)
16-120005-03	Tone Arm Rest
16-120034-07	Astatic K314TS Tone Arm
16-120057-01	Turntable TU12
16-210005-01	Player BSR TU12
16-120028-01	LP Replacement Stylus - Astatic N8-1S
16-120028-02	78 Replacement Stylus - Astatic N8-3S
19-40017-05	Speaker - 4" PM - 4 ohm VC
53-748-05	Knob - Off - Volume
53-748-06	Knob - Tone

CHASSIS ASSEMBLY

Symbol	Part No.	Description
R1, SW1	41-215-02	Control - Volume (1M) and AC Switch
R2	41-215-04	Control - Tone - 25K
T1	24-80046-01	Audio Output Transformer
	28-1-02	Silicon Rectifier - 65 MA
	44-81-01	Electrolytic - 80 50 ufd 150 V

All information in this leaflet is up to date as of February 1965. Subsequent changes covered by bulletin.

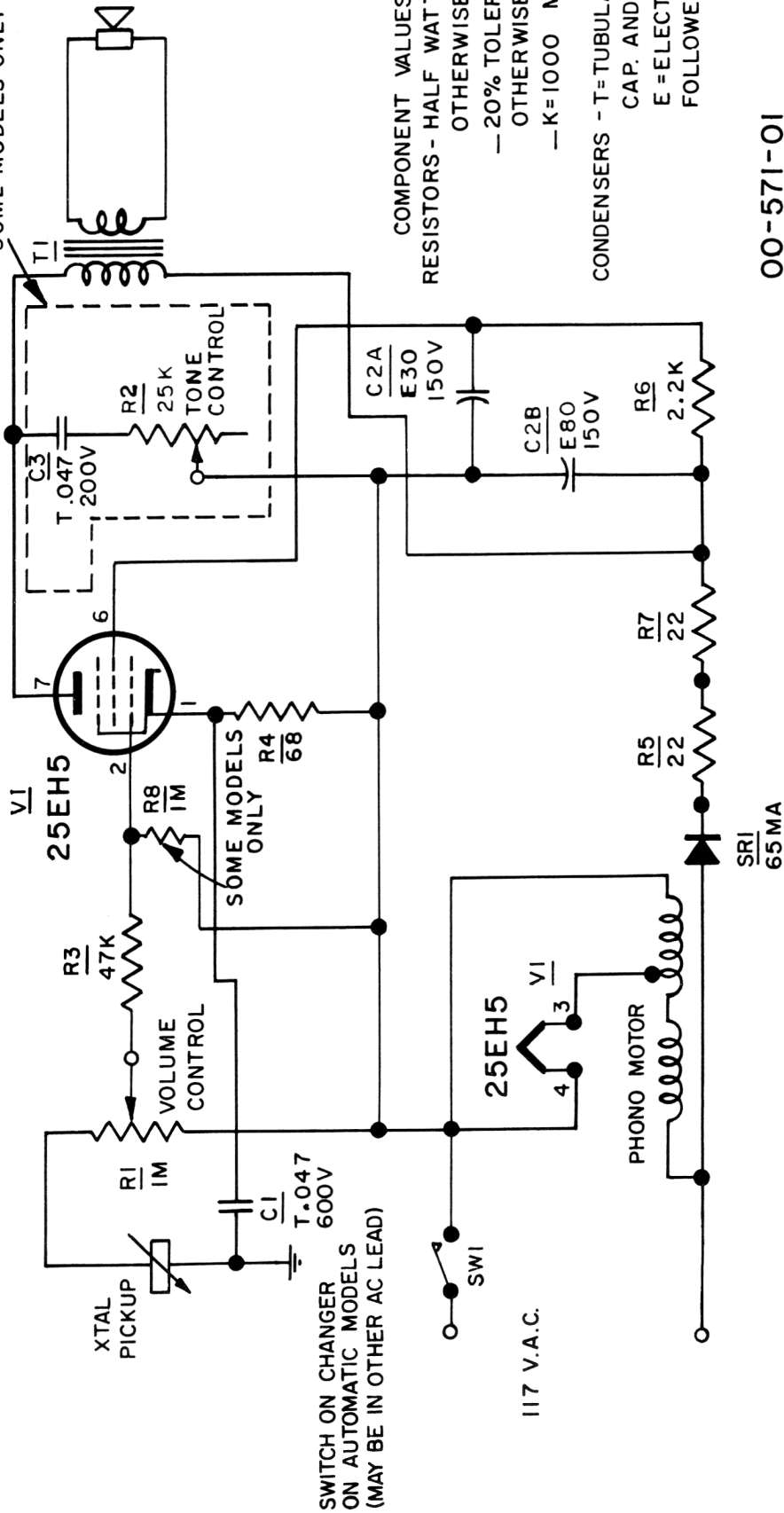
CAUTION FOR SERVICEMEN

Any serviceman working with this chassis when it is out of the cabinet should take special care not to come in contact with any ground connections.

When writing for Service Information, please quote model number and serial number. Always order by part number. Part numbers are positive identification which ensures fast service and avoids unnecessary delays. When writing for installation items please quote cabinet finish colour.

EATON'S OF CANADA

SOME MODELS ONLY



00-571-01
Issue 6