

Service Information and Parts List for

VIKING

PMP-643

PORTABLE ELECTRIC PHONOGRAPH

MODEL PMP 643

4 Speed 1 Tube Manual

Undistorted Power Output5 Watts
Maximum Power Output	1.5 Watts
Power Consumption26A
Tube	25EH5

For Operation on 110 - 120 Volts A.C. Cycle as Marked.

REPLACEMENT PARTS LIST

FINAL ASSEMBLY

Part Number	Description
12-25120-51	Portable Phono Case - Black and White
12-25120-52	Portable Phono Case - Terra Cotta and White
13-189-01	Motor Board TU12
16-120045-01	50 cycle rotor (50 cycle models only)
16-120053-01	Tone Arm and Mounting Hardware
16-120057-01	Turntable - BSR TU12
16-210005-01	BSR TU12 Player
16-220002-02	25 cycle Alliance Motor (25 cycle models only)
16-250021-01	Replacement Cartridge
16-120056-01	LP Replacement Stylus
16-120056-02	78 Replacement Stylus
19-40005-01	4" P.M. Speaker 3.2 ohm VC
42-14-05	Resistor - W.W. 20W \pm 10% 500 ohm (on 25 cycle models only)
53-624-19	Knob - Off - Volume
53-624-20	Knob - Tone

CHASSIS ASSEMBLY

Symbol	Part Number	Description
R1	41-14-01	Volume Control - 1 meg Off-On-Switch
R2	41-15-01	Tone Control - 25K
T1	24-80046-01	Output Transformer 4 ohm VC
SR1	28-1-02	Selenium Rectifier 65 Ma.
	44-81-01	Electrolytic - Dual - 80, 30 ufd x 150V

All information in this leaflet is up to date as of June 7, 1963. Subsequent changes covered by bulletin.

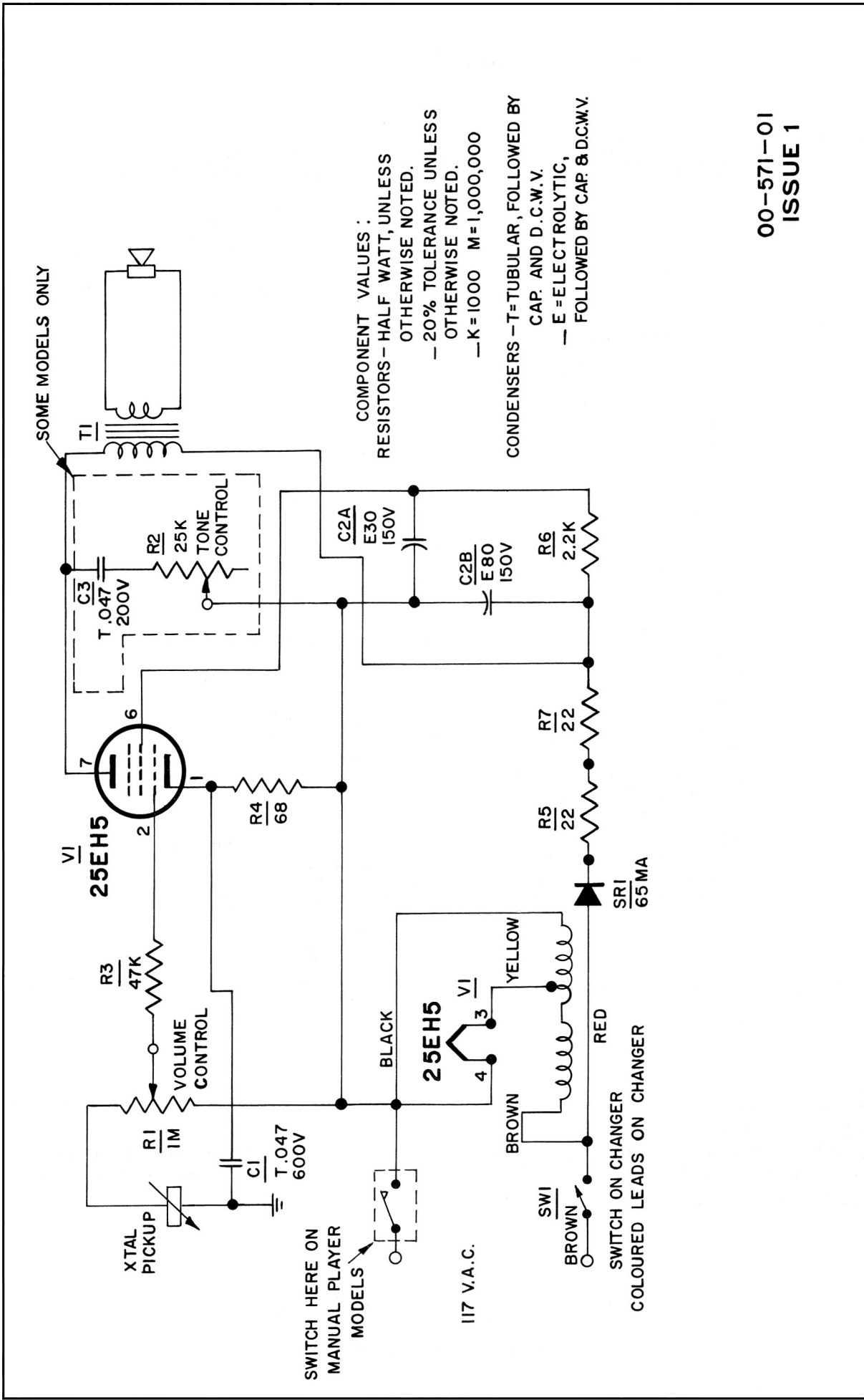
CAUTION FOR SERVICEMEN

Any serviceman working with this chassis when it is out of the cabinet should take special care not to come in contact with any ground connections.

When writing for Service Information, please quote model number and serial number. Always order by part number. Part numbers are positive identification which ensures fast service and avoids unnecessary delays.

EATON'S OF CANADA





SOME MODELS ONLY

COMPONENT VALUES :
 RESISTORS - HALF WATT, UNLESS OTHERWISE NOTED.
 - 20% TOLERANCE UNLESS OTHERWISE NOTED.
 - K = 1000 M = 1,000,000

CONDENSERS - T = TUBULAR, FOLLOWED BY CAP. AND D.C.W.V.
 - E = ELECTROLYTIC, FOLLOWED BY CAP. & D.C.W.V.

SWITCH HERE ON MANUAL PLAYER MODELS

117 V.A.C.

SWITCH ON CHANGER COLOURED LEADS ON CHANGER