

# VIKING

## Portable Electric Phonograph

MODELS PMP-537, PMP-537R, PMP-537RR

4 Speed 1 Tube Manual

Undistorted Power Output .....	.5 Watts
Maximum Power Output .....	1.5 Watts
Power Consumption .....	30 VA.
Tube .....	25EH5 (50 & 60 cy. Models) 50EH5 (25 cy. Models)

For Operation on 110 - 120 Volts A.C. Cycle as Marked.

### REPLACEMENT PARTS LIST

#### FINAL ASSEMBLY

Part No.	Description
12-25020-51	Portable Phono Case - Rust and Gold PMP-537
12-25020-52	Portable Phono Case - Blue and Grey PMP-537
12-25020-53	Portable Phono Case - Rust and Gold PMP-537R
12-25020-54	Portable Phono Case - Blue and Grey PMP-537R
12-25020-55	Portable Phono Case - Rust and Gold PMP-537RR
12-25020-56	Portable Phono Case - Blue and Grey PMP-537RR
13-173-01	Motor Board TU12
16-120045-01	50 cycle rotor (50 cycle models only)
16-120053-01	Tone Arm and Mounting Hardware
16-120057-01	Turntable - BSR TU12
16-210005-01	BSR TU12 Player (60 cy.)
16-220002-02	25 cycle Alliance Motor
16-250021-01	Replacement Cartridge
16-120056-01	LP Replacement Stylus
16-120056-02	78 Replacement Stylus
19-40005-01	4" P.M. Speaker 3.2 ohm VC
42-14-05	Resistor - W.W. 20W ± 10% 540 ohm (on 25 cycle models only)
53-624-03	Knob - Off - Volume (on rust and gold case only)
53-624-04	Knob - Tone (on rust and gold case only)
53-624-11	Knob - Off - Volume (on blue and grey case only)
53-624-10	Knob - Tone (on blue and grey case only)

NOTE: FOR A MATCHING KNOB SET PMP-537 ORDER 1 OFF-VOLUME AND 1 TONE KNOB FOR CABINET COLOUR AS SHOWN.

#### CHASSIS ASSEMBLY

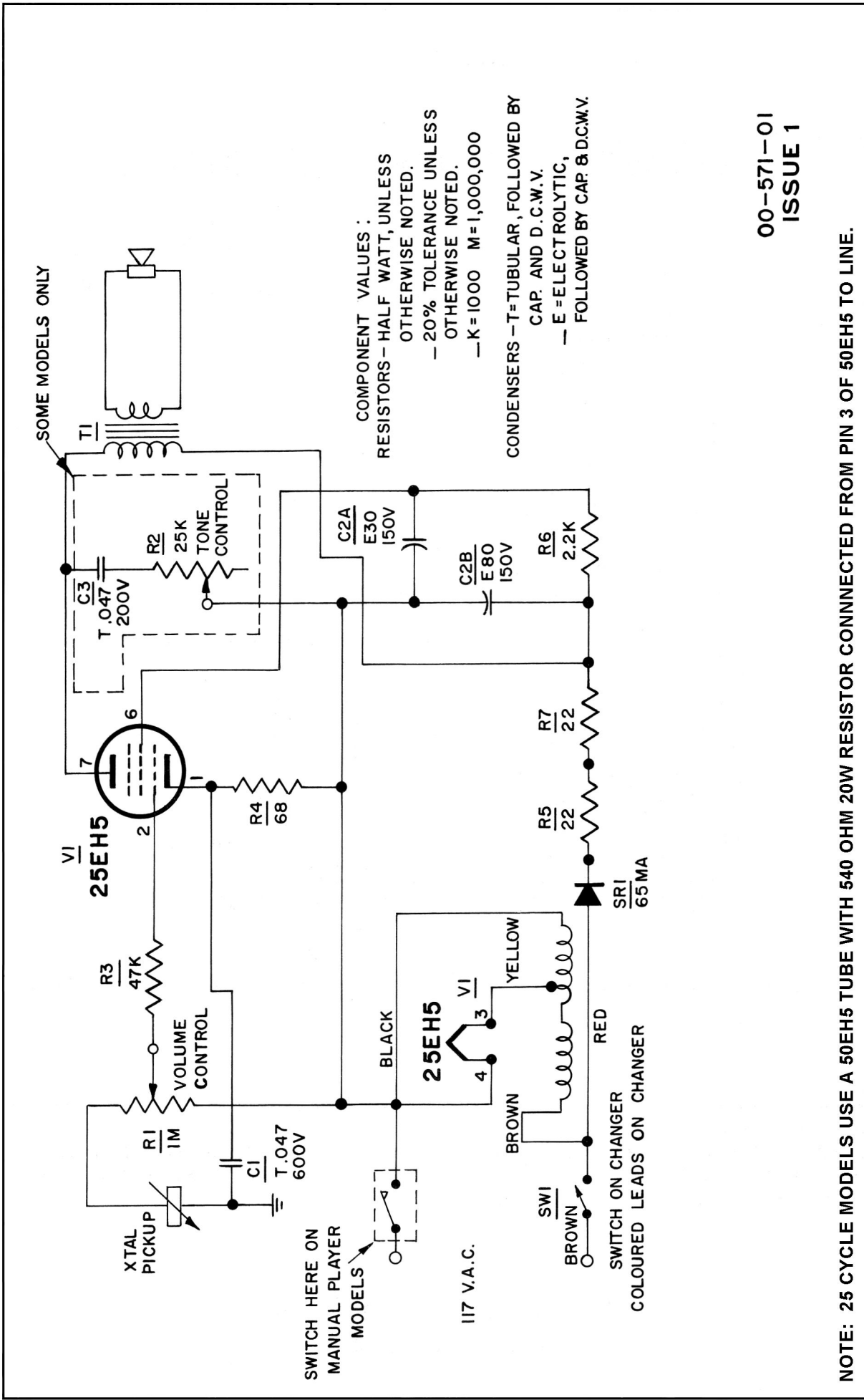
Symbol	Part No.	Description
R1	41-14-01	Volume Control - 1 meg Off-On-Switch
R2	41-15-01	Tone Control - 25K
T1	24-80046-01	Output Transformer 4 ohm VC
SR1	28-1-02	Selenium Rectifier 65 Ma.
	44-81-01	Electrolytic - Dual - 80, 30 ufd x 150V

#### CAUTION FOR SERVICEMEN

Any serviceman working with this unit when it is out of the cabinet should take special care not to come in contact with any ground connections.

When writing for Service Information, please quote model number and serial number. Always order service parts by part number. Part numbers are positive identification which ensures fast service and avoids unnecessary delays.





00-571-01  
 ISSUE 1