

VIKING

Portable Electric Phonograph

MODEL PMP-510

4 Speed 1 Tube Manual

Undistorted Power Output5 Watts
Maximum Power Output	1.5 Watts
Power Consumption	30 VA.
Tube	25EH5

For Operation on 110 - 120 Volts A.C. Cycle as Marked.

REPLACEMENT PARTS LIST

FINAL ASSEMBLY

Part Number	Description
12-19971-51	Portable Phono Case - Charcoal
12-19971-52	Portable Phono Case - Blue
13-144-01	Motor Board
16-120005-05	Tone Arm Rest
16-120023-02	Turntable (clip supplied)
16-120028-01	LP Replacement Stylus - Astatic N8-1S
16-120028-02	78 Replacement Stylus - Astatic N8-3S
16-120034-07	Tone Arm and Mounting Hardware
16-120045-01	50 cycle Rotor Assembly
16-120047-01	45 RPM Inserts
16-210003-03	BSR TU9 Motor Assembly 60 cycle
16-250014-01	Astatic 314TS Replacement Cartridge
19-40005-01	4" PM Speaker 3.2 ohm VC
53-40-20	Knob - Off-Volume
53-40-21	Knob - Tone
53-521-01	Trim Strip

CHASSIS ASSEMBLY

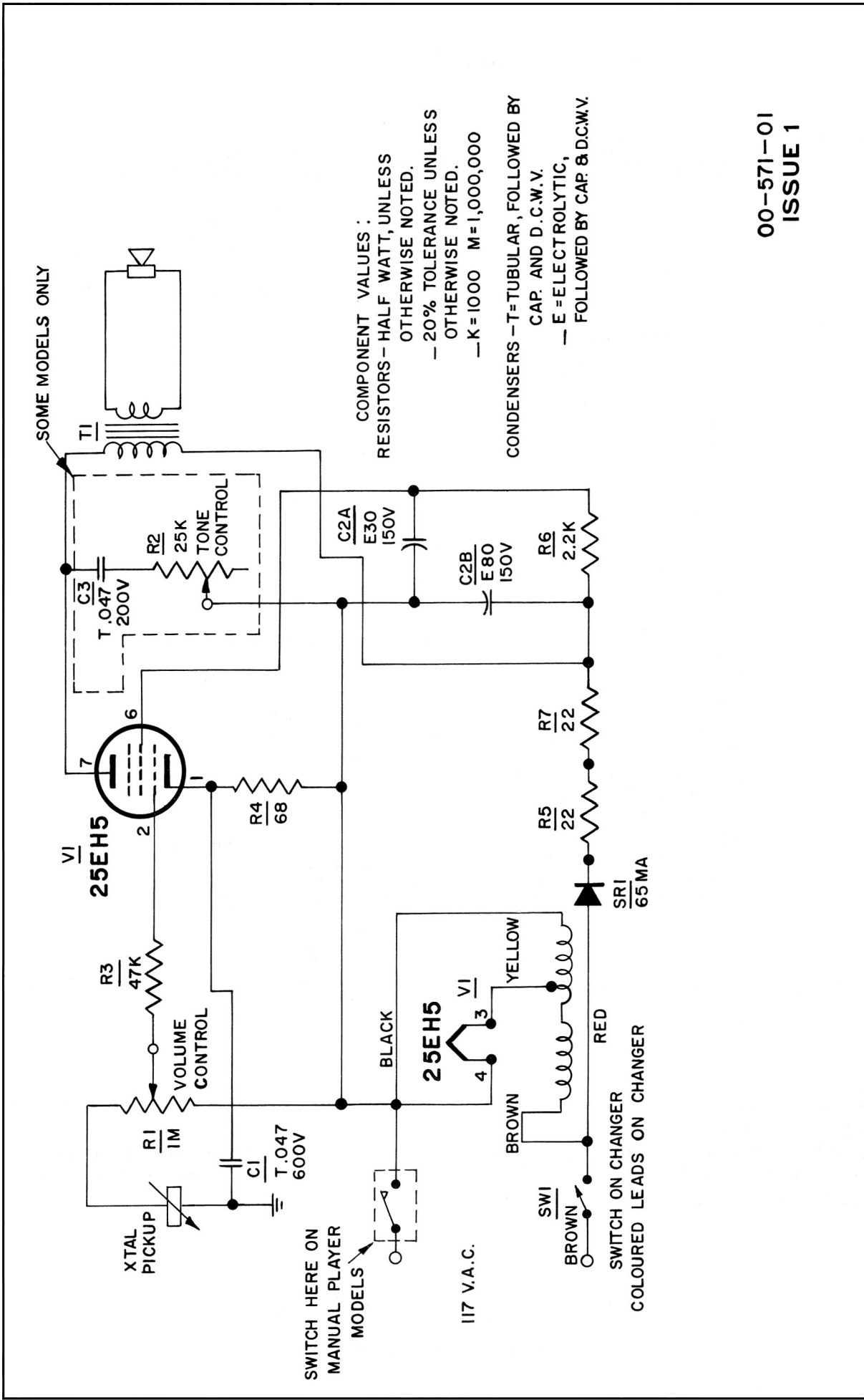
Symbol	Part Number	Description
	34-139-08	Line Cord and Plug Assembly - 8' Ivory
R1	41-14-01	Volume Control - 1 meg. with AC Switch
R2	41-15-01	Tone Control 25K
T1	24-80046-01	Audio Output Transformer 4 ohm VC
SR1	28-1-02	Selenium Rectifier 65 Ma.
C2	44-81-01	Electrolytic - Dual - 80, 30, ufd. x 150V

CAUTION FOR SERVICEMEN

Any serviceman working with this unit when it is out of the cabinet should take special care not to come in contact with any ground connections.

When writing for Service Information, please quote model number and serial number. Always order service parts by part number. Part numbers are positive identification which ensures fast service and avoids unnecessary delays.





00-571-01
 ISSUE 1