

# VIKING

## Portable Electric Phonograph

PMP-423  
PMP-423R

Model PMP-423

4 Speed 1 Tube Manual

Undistorted Power Output .....	1.1 Watts
Maximum Power Output .....	1.8 Watts
Power Consumption .....	33 VA.
Tube .....	25L6GT

**For Operation on 105 - 125 Volts A.C. Cycle as Marked.**

### REPLACEMENT PARTS LIST

#### Final Assembly

12-17780-51 .....	Portable Phono Case
13-112-01 .....	Baffle
13-100-01 .....	Motor Board — Alliance 60 cycle
16-120005-03 ....	Arm Rest C.P.
16-120034-03 ....	Pickup Arm and Cartridge Assembly
16-120041-01 ....	Turntable — Alliance
16-120042-01 ....	Turntable Clip
16-120043-01 ....	Dial Plate
16-210004-01 ....	Motor — 4 Speed — Alliance 90V
19-40005-01 .....	Speaker 4" PM
53-415-01 .....	Viking Nameplate
53-438-01 .....	Knob Assembly
53-40-17 .....	Knob — Off-Volume
53-40-18 .....	Knob — Tone

#### Chassis Assembly

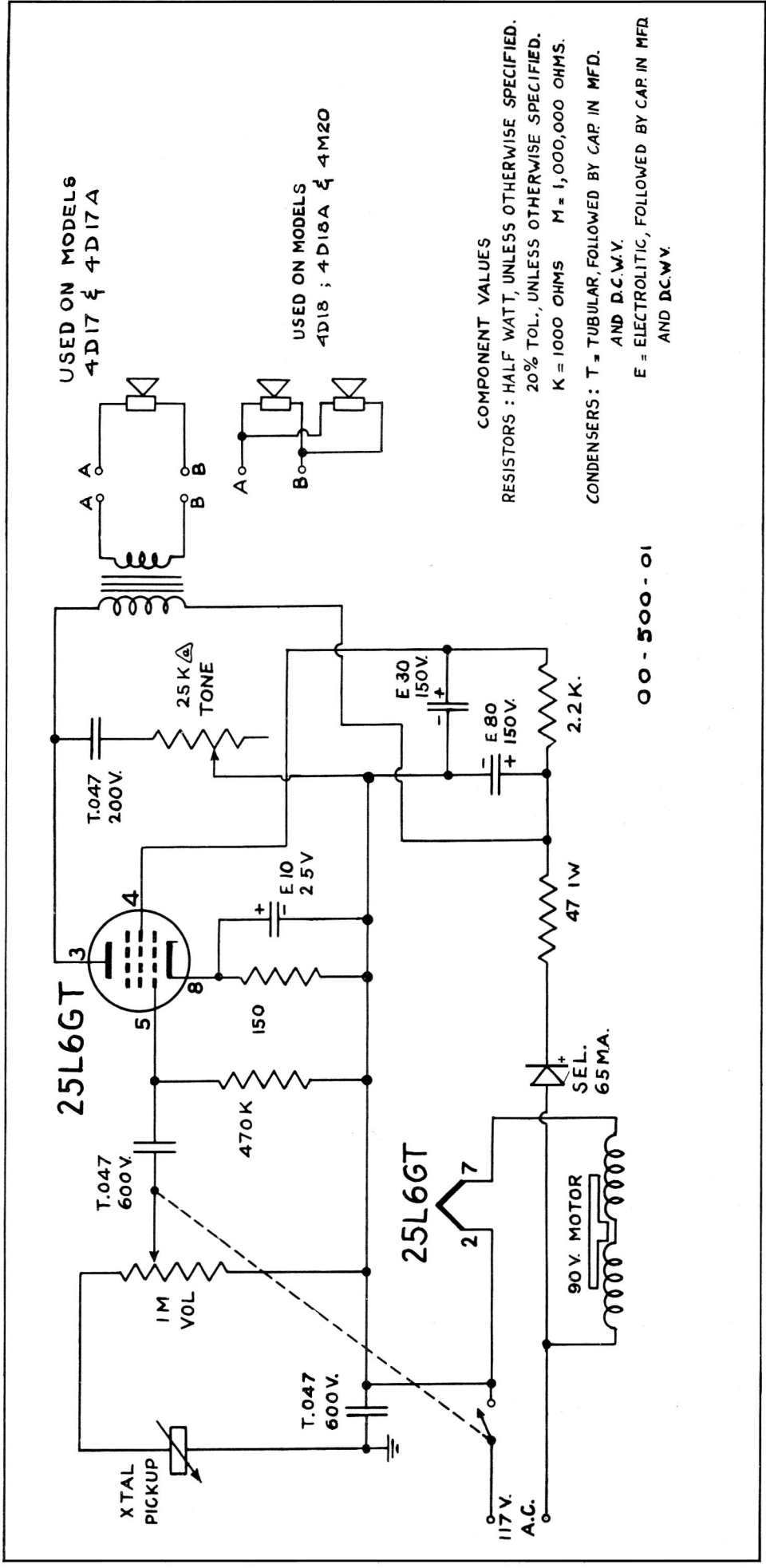
34-139-08 .....	Line Cord and Plug Assembly
40-324702-01 ....	Resistor — Composition 47 ohm $\pm$ 20% 1W
41-14-01 .....	Control — Volume and Switch
41-15-01 .....	Control — Tone
24-80006-01 .....	Output Transformer 1.6 ohm
28-1-01 .....	Rectifier — Selenium 65 Ma
44-6-03 .....	Electro—3 Section 80 and 30 ufd x 150V, 10 ufd x 25V

### CAUTION FOR SERVICEMEN

Any serviceman working with this unit when it is out of the cabinet should take special care not to come in contact with any ground connections.

When writing for Service Information, please quote model number and serial number. Always order service parts by part number. Part numbers are positive identification which ensures fast service and avoids unnecessary delays.

THE **T. EATON CO.** LIMITED  
CANADA



USED ON MODELS  
4D17 & 4D17A

USED ON MODELS  
4D18 ; 4D18A & 4M20

COMPONENT VALUES  
RESISTORS : HALF WATT, UNLESS OTHERWISE SPECIFIED.  
20% TOL., UNLESS OTHERWISE SPECIFIED.  
K = 1000 OHMS M = 1,000,000 OHMS.  
CONDENSERS : T = TUBULAR, FOLLOWED BY CAP. IN MFD.  
AND D.C.W.V.  
E = ELECTROLYTIC, FOLLOWED BY CAP. IN MFD  
AND D.C.W.V.

00 - 500 - 01