

PAP-364
PAP-365
PMP-363

Service Information and Parts List for

VIKING

Portable Electric Phonographs

Model PMP-363

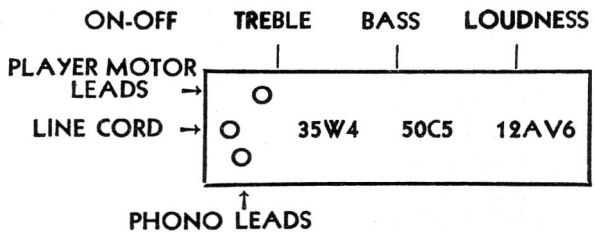
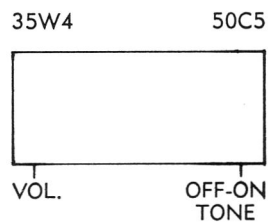
4 Speed 2 Tube Manual
 Undistorted Power Output 1.1 Watts
 Maximum Power Output 1.8 Watts
 Power Consumption 33 VA.

Model PAP-364

4 Speed 2 Tube Automatic
 Undistorted Power Output 1.1 Watts
 Maximum Power Output 1.8 Watts
 Power Consumption 33 VA.

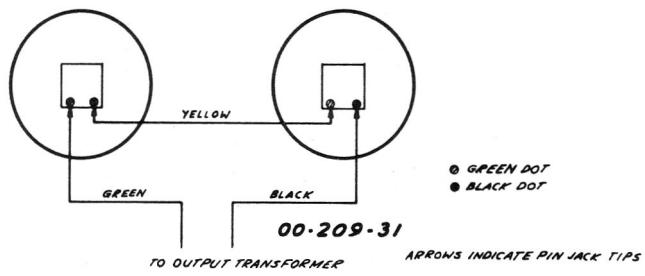
Model PAP-365

4 Speed 3 Tube Automatic
 Undistorted Power Output 1.1 Watts
 Maximum Power Output 1.8 Watts
 Power Consumption 55 VA.

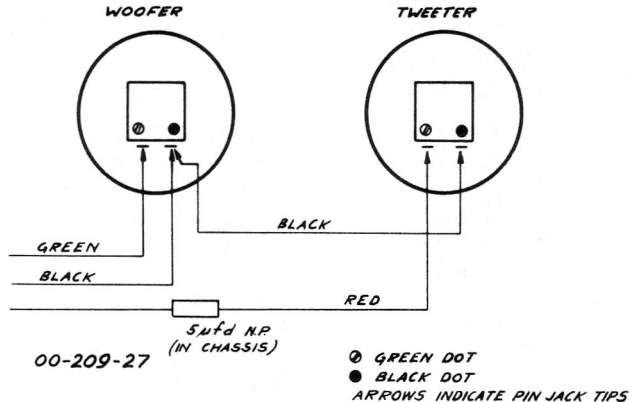


NOTE: ON-OFF SWITCH USED ON SOME MODELS ONLY.

PMP-363 – PAP-364



PAP-365



CAUTION FOR SERVICEMEN

Any serviceman working with this unit when it is out of the cabinet should take special care not to come in contact with any ground connections.
 When writing for Service Information, please quote model number and serial number. Always order service parts by part number. Part numbers are positive identification which ensures fast service and avoids unnecessary delays. Serial number will be found under turntable mat

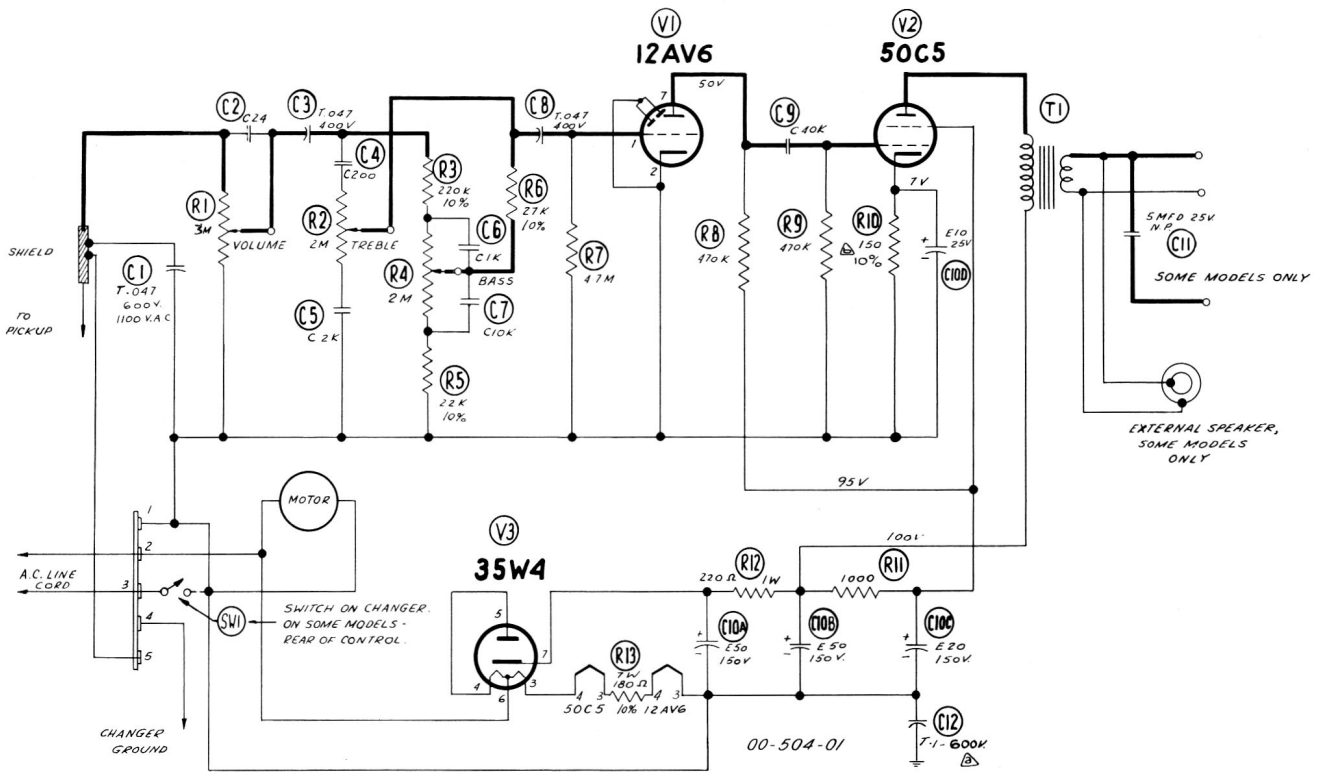
THE T. EATON CO. LIMITED
CANADA

SERVICE REPLACEMENT PARTS

Part No.	Description	Model No.	List
12-15570-51	Cabinet — Blue and White	PMP-363	16.40
12-15570-52	Cabinet — Tan and White	PMP-363	16.40
12-15580-51	Cabinet — Blue and White	PAP-364	18.45
12-15580-52	Cabinet — Brown and White	PAP-364	18.45
12-15590-51	Cabinet — Blue and White	PAP-365	24.27
12-15590-52	Cabinet — Brown and White	PAP-365	24.27
13-31-01	60 cy. Motor Mounting Board	PMP-363	2.00
13-32-01	25 cy. Motor Mounting Board	PMP-363	2.00
13-47-01	Curtain	PMP-363	.50
13-35-01	Changer Mounting Board	PAP-364	1.00
13-20-02	Changer Mounting Board	PAP-365	1.00
13-46-01	Curtain	PAP-365	.50
16-120003-01	Speed Indicator Plate	PMP-363	.20
16-120012-01	Turntable Clip	PMP-363	.05
16-120023-01	Turntable — B.S.R.	PMP-363	6.15
16-120024-01	Tone Arm and Cartridge Assembly	PMP-363	10.25
16-210003-01	4 Speed 60 cy. B.S.R. Motor	PMP-363	10.00
16-220001-01	3 Speed 25 cy. Alliance Motor	PMP-363	12.00
16-90005-02	B.S.R. UA8 Changer 60 cy.	PAP-364-365	32.46
16-250004-02	TC8H Cartridge with Stylus	PAP-364-365	5.95
16-120017-02	78 R.P.M. Stylus	PAP-364-365	1.50
16-120017-01	LP R.P.M. Stylus	PAP-364-365	1.50
16-250004-02	Cartridge	PMP-363	5.95
16-120017-02	78 R.P.M. Stylus	PMP-363	1.50
16-120017-01	LP R.P.M. Stylus	PMP-363	1.50
16-120030-01	45 R.P.M. Spindle	PAP-364-365	4.25
19-40005-01	4" PM Speaker (2 used)	PMP-363	3.40
19-50003-01	5" PM Speaker (2 used)	PAP-364	5.35
19-30001-02	3½" Tweeter	PAP-365	3.75
19-70004-01	5 x 7 PM Speaker	PAP-365	7.45
53-40-08	Loudness Knob	PMP-363 PAP-364	.20
53-40-09	On-Off-Tone Knob	PMP-363 PAP-364	.20
53-141-01	Viking Name Plate	PMP-363 PAP-364	.90
53-139-01	Viking Medallion	PMP-363 PAP-364	.20
53-163-02	Vertical Trim Strip	PMP-363	.70
53-163-03	Vertical Trim Strip	PAP-364	.75
53-102-01	Knob (3 used)	PAP-365	.40
53-104-02	Trim Strip — Viking	PAP-365	1.05
53-104-03	Trim Strip — Hi Fi	PAP-365	1.05
53-155-01	Trim Plate	PAP-365	.50

Chassis Assembly

24-80015-02	Output Transformer	PMP-363 PAP-364	2.50
24-80013-08	Output Transformer	PAP-365	2.70
41-19-01	Volume Control	PMP-363 PAP-364	.85
41-20-01	On-Off Tone Control	PMP-363 PAP-364	1.40
41-3-07	Bass Control	PAP-365	1.00
41-26-03	Treble Control	PAP-365	1.00
41-92-01	Loudness Control and Switch	PAP-365	1.35
44-56-01	Electrolytic	PMP-363 PAP-364	1.50
44-5-01	Electrolytic	PAP-365	1.20
44-27-02	4 Sec. Electrolytic	PAP-365	1.40



COMPONENT VALUES:

RESISTORS: HALF WATT, UNLESS OTHERWISE NOTED.
20% TOLERANCE, UNLESS OTHERWISE NOTED.
K = 1000 OHMS
M = 1,000,000 OHMS

CONDENSERS: T = TUBULAR, FOLLOWED BY CAP IN MFD AND D.C. V.
E = ELECTROLYTIC, FOLLOWED BY CAP IN MFD & D.C. V.V.
C = CERAMIC, FOLLOWED BY CAP. IN MMFD & TOL IF CRITICAL

ALL VOLTAGES MEASURED TO B- WITH 20,000 OHM/VOLT METER,
117 VOLTS, 60 CYCLE LINE AND ZERO SIGNAL INPUT.

