

# Service Information and Parts List for

# VIKING Portable Electric Phonographs

**PMP-331**  
**PMP-332**  
**PAP-322R**

### Model PMP-332

4 Speed, 60 Cycle,  
2 Tube Manual  
Undistorted Power Output .85 Watts  
Maximum Power Output 1.25 Watts  
Power Consumption ..... 33 VA.  
Tubes ..... 50C5, 35W4

### Model PAP-322R

4 Speed 2 Tube Automatic  
Undistorted Power Output .85 Watts  
Maximum Power Output 1.25 Watts  
Power Consumption ..... 55 VA.  
Tubes ..... 50C5, 35W4

### Model PMP-331

4 Speed 1 Tube Manual  
Undistorted Power Output 1.1 Watts  
Maximum Power Output 1.8 Watts  
Power Consumption ..... 33 VA.  
Tube ..... 25L6GT

For Operation on 105-125 Volts A.C. Cycle as Marked.

Control—

50C5 35W4

Tube Layout  
PMP-332, PAP-322R

↑  
LINE CORD

## SERVICE REPLACEMENT PARTS PRICE LIST

### Models PMP-331, PMP-332, PAP-322R

New Part No.	Description	Models Used On	Suggested List Price
<b>INSTALLATION</b>			
12-15381-52.....	Case — Tan & White.....	PMP 331 .....	10.50
12-15391-52.....	Case — Tan & White.....	PMP 332 .....	11.10
12-15401-51.....	Case — Blue & White.....	PAP 322R .....	17.52
12-15401-52.....	Case — Tan & White.....	PAP 322R .....	17.52
13-29-01.....	Motor Board ..... 60 cycle .....	PMP 331 .....	1.00
13-30-01.....	Motor Board ..... 25 cycle .....	PMP 331 .....	1.00
13-31-01.....	Motor Board ..... 60 cycle .....	PMP 332 .....	1.00
13-32-01.....	Motor Board ..... 25 cycle .....	PMP 332 .....	1.00
13-35-01.....	Motor Board .....	PAP 322R .....	1.00
03-160006-08.....	BSR 60 cycle Changer Assembly.....	PAP 322R .....	P.O.R.
03-160007-04.....	BSR 25 cycle Changer Assembly.....	PAP 322R .....	P.O.R.
16-210003-01.....	Motor 4 Speed BSR 60 cycle.....	PMP 331 .....	13.60
16-220001-03.....	Motor 3 speed 90V 25 cycle.....	PMP 332 .....	12.00
16-220001-04.....	Motor 3 Speed 117V 25 cycle.....	PMP 332 .....	12.00
16-120024-01.....	Tone Arm & Cartridge Assembly.....	PMP 331 .....	7.95
16-250004-01.....	Cartridge TC8H .....	PMP 332 .....	7.95
16-120017-01.....	LP Sapphire Stylus 1 Mil.....	All Models .....	5.95
16-120017-02.....	78 Sapphire Stylus 3 Mil.....	All Models .....	1.50
16-120015-03.....	LP Diamond Stylus Special.....	All Models .....	15.90
19-40005-01.....	Speaker 4" PM..... (1) .....	PMP 331 .....	3.40
		(2) .....	
19-50003-01.....	(K 1803) Speaker 5" PM..... (2) .....	PMP 332 .....	5.35
53-8-01.....	Knob — Off-On-Volume .....	PAP 322R .....	.20
53-40-08.....	Knob — Loudness .....	PMP 331 .....	.20
53-40-09.....	Knob — Off-On-Tone .....	PMP 332 .....	.20
53-41-03.....	Name Plate Viking.....	PAP 322R .....	.20
53-101-01.....	Name Plate Backing Viking.....	PMP 332 .....	.35
		All Models .....	.25
<b>CHASSIS PARTS</b>			
24-80007-05.....	(LK 456-4) Output Transformer 3.2 ohms.....	PMP 331 .....	2.35
24-80009-02.....	Output Transformer 1.6 ohms.....	PAP 322R .....	2.45
28-1-01.....	(K 1732) Selenium Rectifier 65 MA.....	PMP 332 .....	1.85
34-27-01.....	(K 1446-1) Line Cord & Plug Assembly.....	PMP 331 .....	.75
41-14-01.....	(R 443-1) Control Volume & Switch.....	All Models .....	1.35
41-19-01.....	Control Volume & Switch.....	PMP 331 .....	.85
41-20-01.....	Control Tone — Off-On.....	PMP 332 .....	.85
42-1-15.....	(H 536-15) Resistor WW 265 ohm 7W.....	PAP 322R .....	1.40
44-6-03.....	(G 568-3) Electrolytic 10 mfd 25V.....	PMP 332 .....	.30
44-6-07.....	Electrolytic 80-30 mfd 150V.....	PAP 322R .....	2.00
	Electrolytic 10 mfd 25V.....	PMP 331 .....	2.00
	Electrolytic 80-30 mfd 150V.....	PAP 322R .....	2.00

P.O.R. — Price on Request.

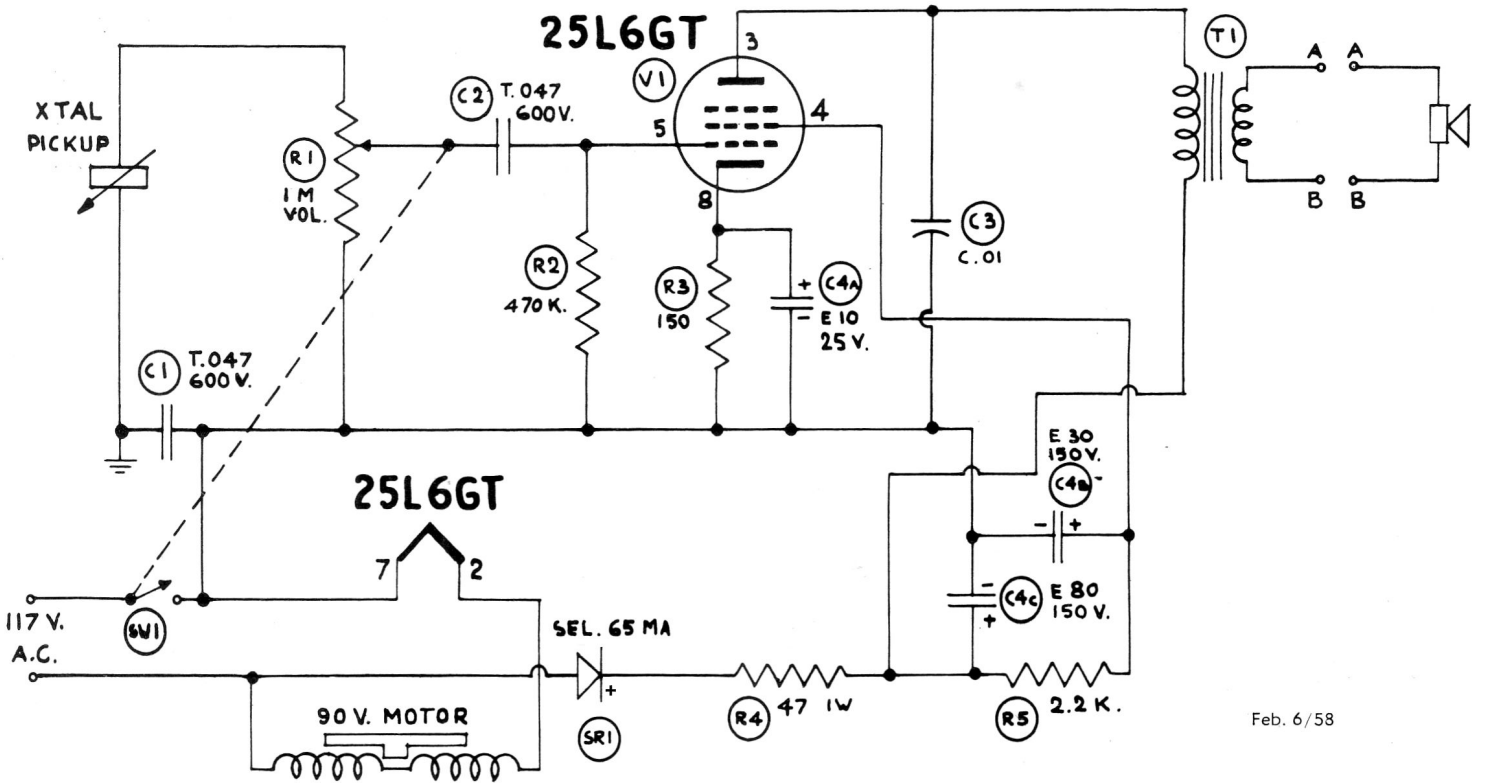
### CAUTION FOR SERVICEMEN

Any serviceman working with this unit when it is out of the cabinet should take special care not to come in contact with any ground connections.

When writing for Service Information, please quote model number and serial number. Always order service parts by part number. Part numbers are positive identification which ensures fast service and avoids unnecessary delays.

**THE T. EATON CO. LIMITED**  
**CANADA**

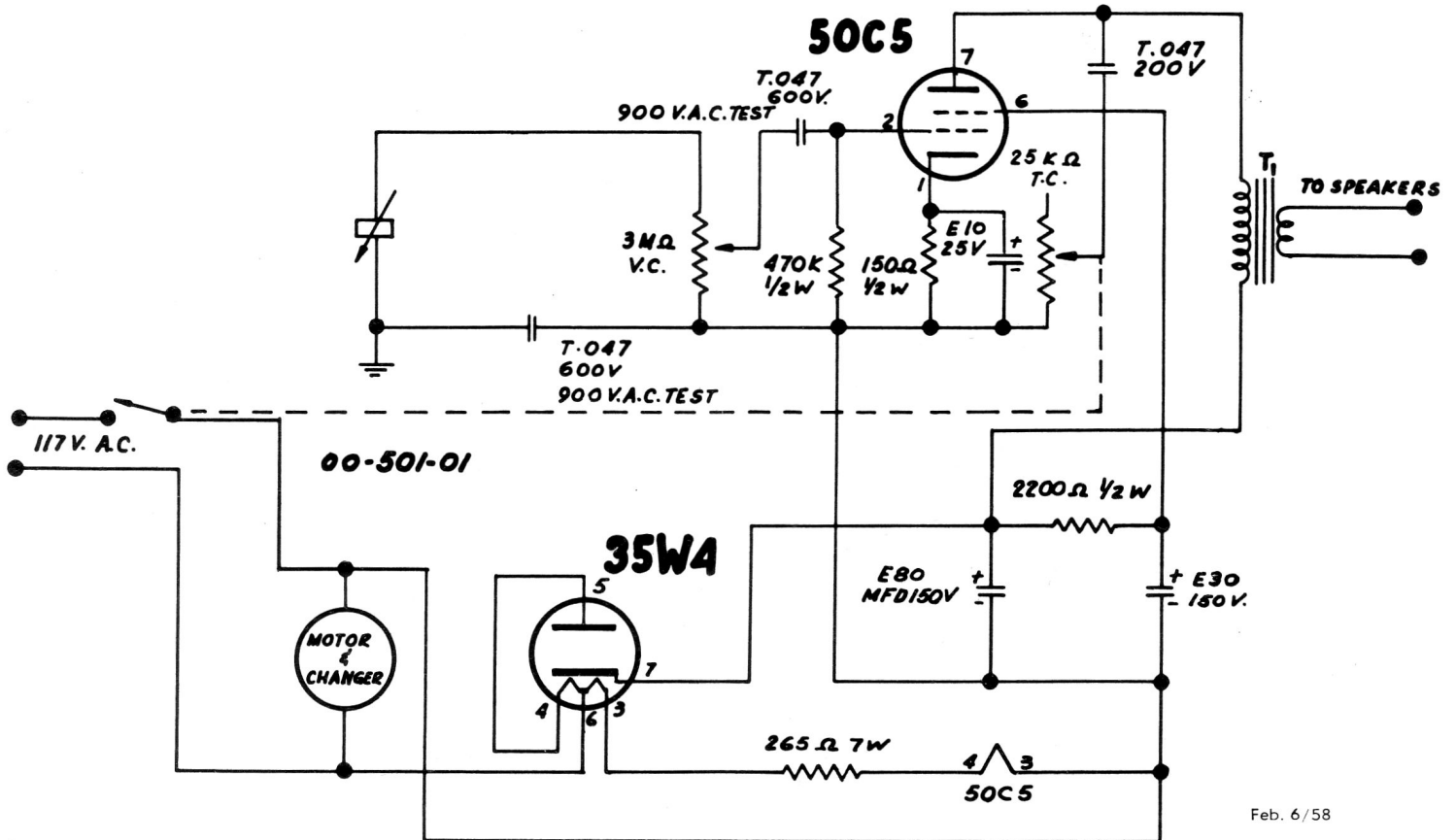
### Schematic for Model PMP-331



Feb. 6/58

00-509-01

### Schematic for Models PMP-332, PAP-322R



Feb. 6/58