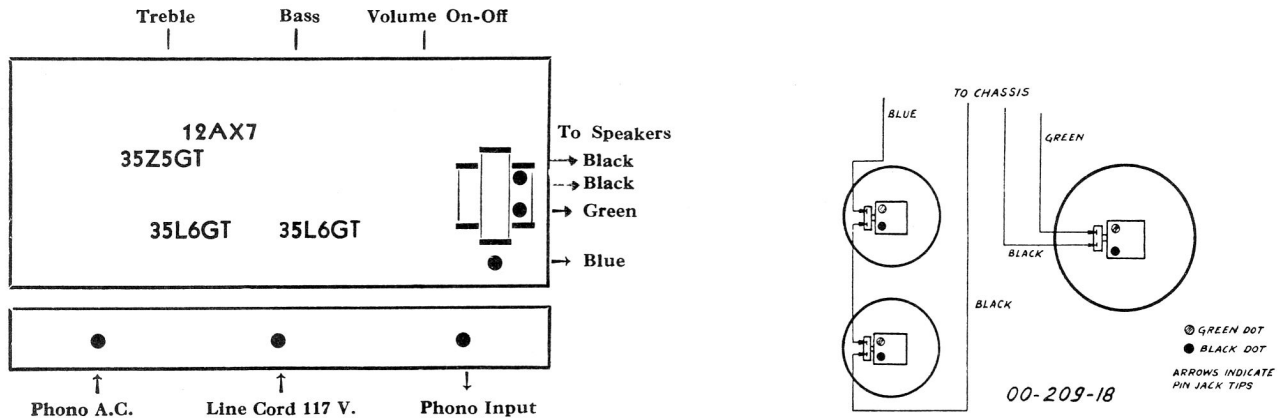


# VIKING SERVICE INFORMATION AND PARTS LIST

**PC 358**  
**PC 359**

for **MODELS**



## Electric Phonograph with a B.S.R. Model UA8 Changer and a 4 Tube AC-DC Type Amplifier for Operation on 105-125 Volts AC Cycle as marked

### CAUTION FOR SERVICEMEN

Any serviceman working with this unit when it is out of the cabinet should take special care not to come in contact with any ground connections.

When writing for Service Information and/or parts, please quote model and Serial Number

Always order service parts by part number. Part numbers are positive identification which ensures fast service and avoids unnecessary delays.

SERIAL NUMBER WILL BE FOUND UNDER MAT ON TURNTABLE

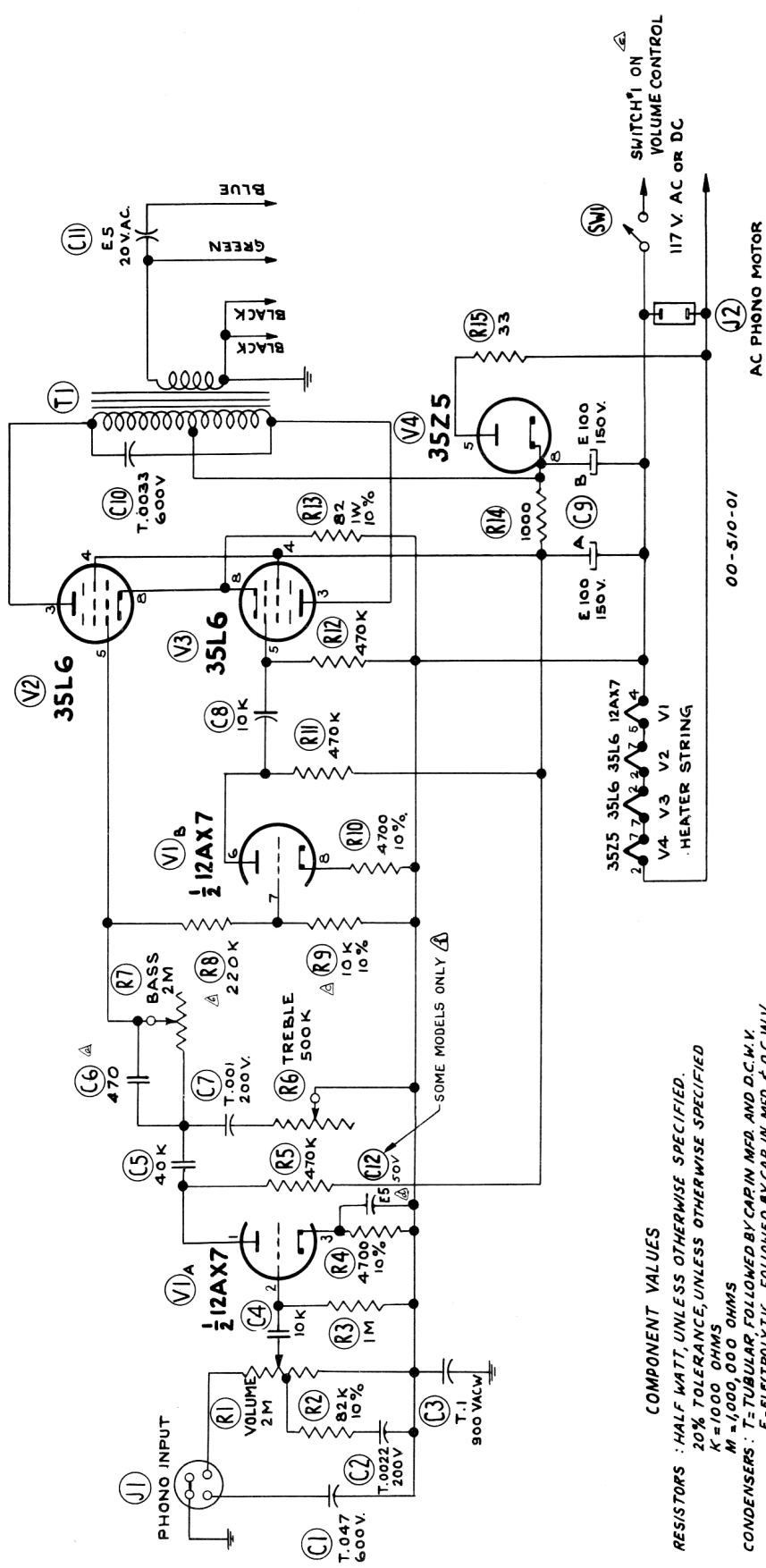
### SPECIFICATIONS

Power Output - Undistorted	1.5 Watts	53-116-03	KNOB PUSHON TYPE (3)	.30
Maximum	2.0 Watts	24-80020-01	LK553-1 OUTPUT TRANSFORMER	3.55
Frequency Response	50 to 10,000 C.P.S.	35-198-01	HEAT DEFLECTOR	.90
Power Consumption	95 VA	41-72-03	R-355-3 VOLUME CONTROL SWITCH	1.70

### SERVICE REPLACEMENT PARTS LIST

<u>Part No.</u>	<u>Description</u>	<u>List Price</u>			
03-160006-09	B.S.R. UA8 CHANGER WITH TC8M CART. USED ON BOTH MODELS	43.68	41-73-01	TONE CONTROL - TREBLE	1.00
			41-74-01	TONE CONTROL - BASE	1.00
19-30001-02	3" PM SPEAKER (2)	3.75	44-5-01	G-604-1 ELECTROLYTIC 5MFD - 20V.A.C.	1.20
19-80002-01	8" PM SPEAKER (2)	8.45	44-38-01	G-605-1 ELECTROLYTIC 100 & 100MFD 150V A.C.	2.65
52-17-01	W.P. BOARD BOTTOM	.85	44-11-01	G-605-1 ELECTROLYTIC US CON 60 CYCLE ONLY 5MFD 50VD.C.	.65
			16-250004-01	CARTRIDGE TC8M	5.95
			16-120017-01	NEEDLE LP	1.50
			16-120017-02	NEEDLE 78	1.50

**THE T. EATON CO. LIMITED**  
**CANADA**



**COMPONENT VALUES**

RESISTORS : HALF WATT, UNLESS OTHERWISE SPECIFIED.  
 20% TOLERANCE, UNLESS OTHERWISE SPECIFIED.  
 K = 1000 OHMS  
 M = 1,000,000 OHMS  
 CONDENSERS : T = TUBULAR, FOLLOWED BY CAP. IN MFD. AND D.C. W.V.  
 E = ELECTROLYTIC, FOLLOWED BY CAP. IN MFD. & D.C. W.V.

00-510-01

CN. N <sup>o</sup>	DATE	CHANGE	SYMB	CHK
ST-904	9-30-57	C6 WAS 820Ω, R8 WAS 470Ω, R9 WAS 18K (C1,C12 ADDED)	Δ	
ST-1072	11-25-57	NOTE ADDED NOTE ADDED	ε γ	ZL

PC-324  
 WIRING DIAGRAM

8-7-57 R. M. ...

00-510-01