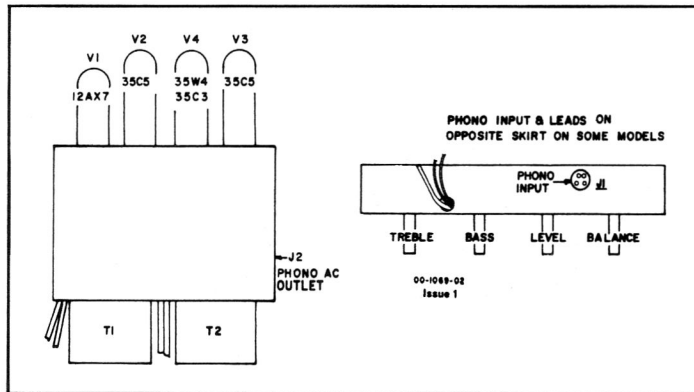


for the  
**VIKING Electric Phonograph**

For Operation on 110-120 Volts A.C. Cycle as Marked.

SPECIFICATIONS — Maximum Power Output . . . 3 Watts Power Consumption . . . 38 Va.



**SERVICE REPLACEMENT PARTS LIST - PAPS 647**

**FINAL ASSEMBLY**

- 12-25040-53 Portable Phonograph Case  
—Sand and Black
- 13-175-01 Motor Board
- 13-176-01 Bottom Cover
- 16-120047-01 45 R.P.M. Inserts
- 16-120050-02 50 cycle—Hub—(50 cycle models only)
- 19-70014-01 Speaker—4 x 10" P.M.—8 ohm V.C.
- 53-624-15 Knob
- 53-536-02 Viking Nameplate

**CHASSIS ASSEMBLY**

- T1, T2 24-80015-02 Audio Output Transformer  
—8 ohm V.C.
- C16 44-40-04 Electrolytic—Single  
50 ufd x 25 V

- C15 44-74-01 Electrolytic  
—40, 40, 70 ufd x 150 V
- R1 41-38-02 Balance Control—5 meg
- R12, R13 41-120-07 Treble Control—500 K
- R14, R15 41-121-06 Bass Control—2 meg
- R3, R6 41-166-01 Level Control—1 meg

**CHANGER ASSEMBLY**

- 16-90024-06 Garrard Autoslim Changer
- 16-250017-09 Replacement Cartridge  
—Astatic 86TSB
- 16-220002-03 Phono Motor—25 cycle  
(25 cycle models only)
- 16-120028-02 78 Replacement Stylus—N8-3S
- 16-120028-04 LP Replacement Stylus—N7-7S

**PICKUP STYLUS PRESSURE**

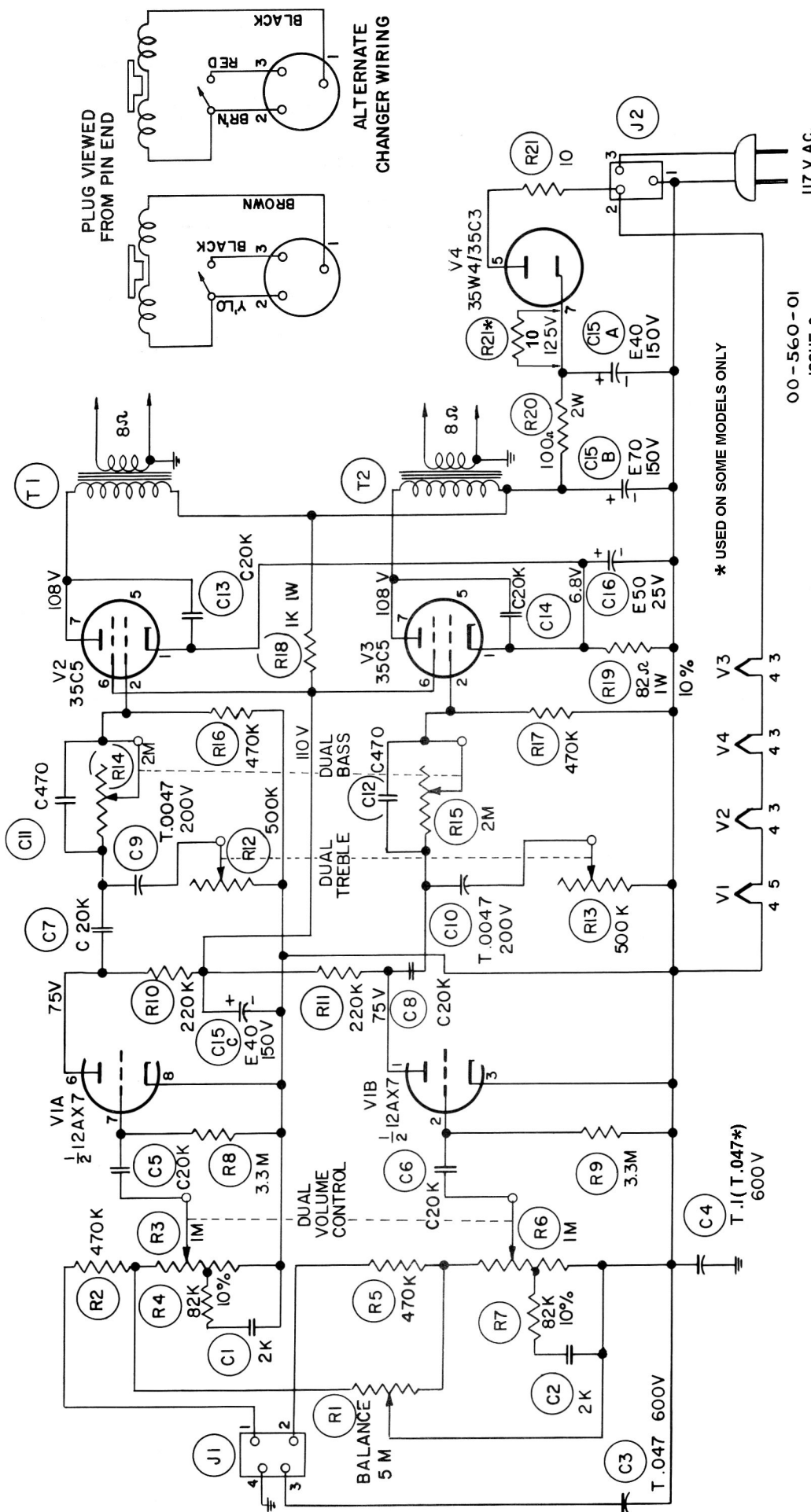
The stylus pressure must not exceed 8 grams and it is strongly recommended that a check be made occasionally with a stylus pressure gauge. Adjust for 6-8 grams pressure. Adjustments may be made by repositioning the pick-up balance spring (in rear of tone arm) in the various adjusting holes provided until the correct pressure is obtained. If stylus pressure is set low or if the unit is not levelled in its location, skipping of the needle across the record grooves will occur from any movement of the cabinet or changer. The solution to this problem is to readjust stylus pressure to a point not exceeding 8 grams until the condition is correct.

All information printed in this leaflet is up to date as of June 15, 1963. Subsequent changes are covered by bulletin.

**CAUTION FOR SERVICEMEN**

Any serviceman working with this chassis when it is out of the cabinet should take special care not to come in contact with any ground connections. When writing for Service Information and/or parts, please quote model and Serial Number as found on the license label. Always order service parts by part number. Part numbers are positive identification which ensures fast service and avoids unnecessary delays.

**EATON'S OF CANADA**



ALTERNATE WIRING  
 PLUG VIEWED FROM PIN END

00-560-01  
 ISSUE 3

\* USED ON SOME MODELS ONLY

COMPONENT VALUES:  
 RESISTORS: HALF WATT, UNLESS OTHERWISE NOTED  
 20% TOL.  
 K = 1000 OHMS  
 M = 1,000,000 OHMS

CONDENSERS: T = TUBULAR, FOLLOWED BY CAPACITY IN MFD & D.C.W.V.  
 E = ELECTROLYTIC, " " " " MMFD. & TOL. IF CRITICAL  
 C = CERAMIC, " " " " " " " "

NOTE: ALL VOLTAGES MEASURED TO CHASSIS WITH 20,000 OHM PER VOLT METER AT 117 LINE VOLTAGE