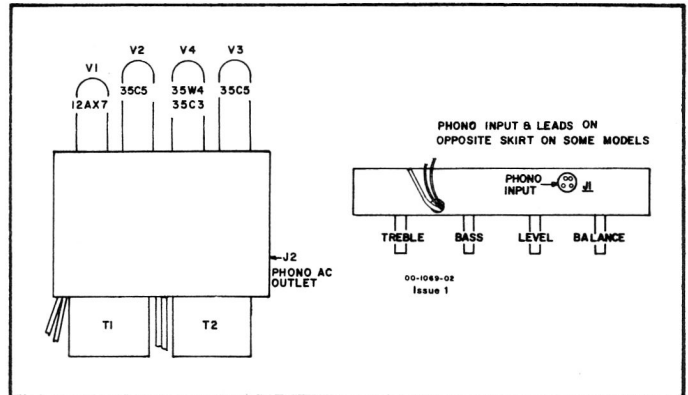
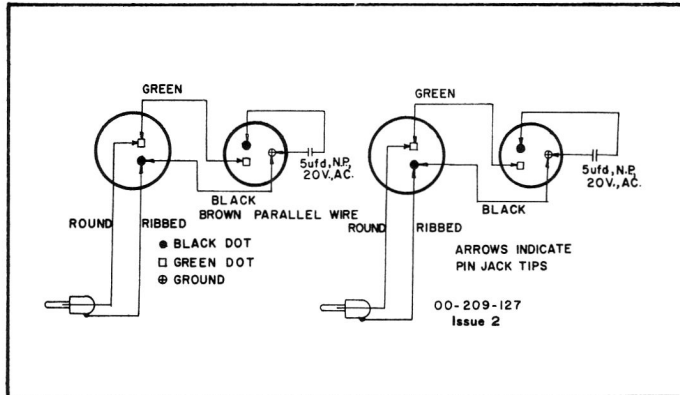


VIKING Electric Phonograph

For Operation on 110 - 120 Volts A.C. Cycle as Marked.

SPECIFICATIONS - Maximum Power Output.....3 Watts Power Consumption.....38 Va.



SERVICE REPLACEMENT PARTS LIST – PAPS-541RR

FINAL ASSEMBLY

Part No.	Description
12-25050-53	Portable Phono Case
13-166-02	Motorboard
13-149-03	Curtain
13-146-02	Legs
19-30003-05	Speaker 3½" P.M. 8 ohm V.C.
19-70003-05	Speaker 6" x 9" P.M. 8 ohm V.C.
44-5-01	Electrolytic 5 ufd. c 10 V.A.C. Non Polarized (Speaker Coupling)
35-1219-01	Leg Mounting Bracket
53-615-01	Handle Rod
53-618-01	Trim Strip
53-624-07	Knobs

CHANGER ASSEMBLY

Part No.	Description
16-90024-06	Garrard Autoslim Changer
16-250017-10	Replacement Cartridge - Astatic 86TSBD
16-120028-02	Replacement Stylus - 78 - Astatic N8-3S
16-120028-05	Replacement Stylus - LP/Stereo - Astatic N7-7D
16-220002-03	Phono Motor Assembly - 25 Cycle
16-120050-02	Drive Hub 50 Cycle

AMPLIFIER CHASSIS ASSEMBLY

Symbol	Part No.	Description
T1, T2	24-80015-02	Output Transformer 8 ohm
	34-138-08	Line Cord and Plug Assembly
R1	41-38-02	Balance Control 5 megohm
R12, R13	41-120-07	Treble Control 500 K. ohms
R14, R15	41-121-06	Bass Control 2 megohm
R3, R6	41-166-01	Level Control 1 megohm
C15	44-74-01	Electrolytic 40, 40, 70 ufd. x 150 V
C16	44-40-04	Electrolytic 50 ufd x 25 V.

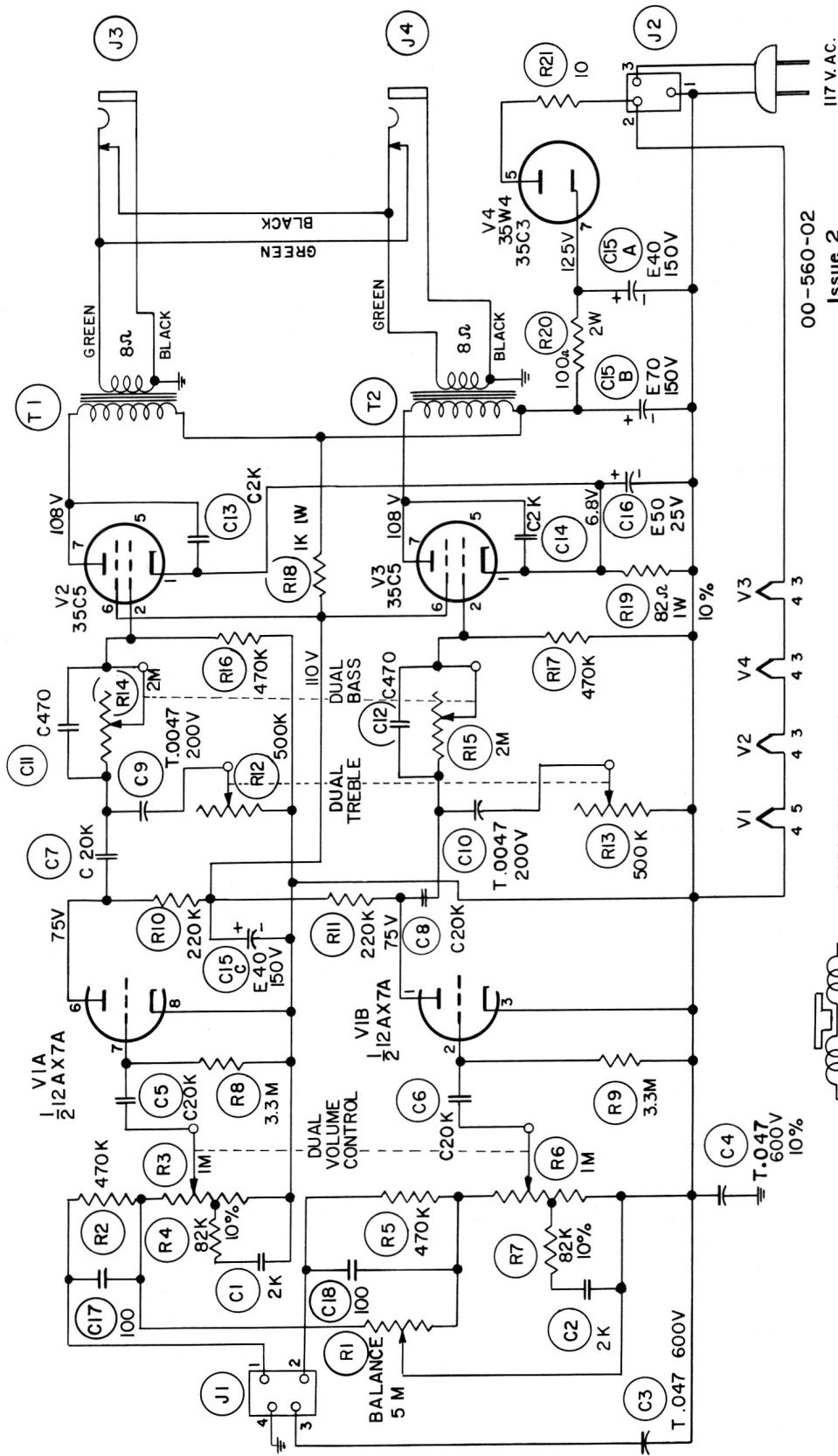
All information printed in this leaflet is up to date as of February 5, 1963. Subsequent changes are covered by bulletin.

PICKUP STYLUS PRESSURE

The stylus pressure must not exceed 8 grams and it is strongly recommended that a check be made occasionally with a stylus pressure gauge. Adjust for 6-8 grams pressure. Adjustments may be made by repositioning the pick-up balance spring (in rear of tone arm) in the various adjusting holes provided until the correct pressure is obtained. If stylus pressure is set low or if the unit is not levelled in its location, skipping of the needle across the record grooves will occur from any movement of the cabinet or changer. The solution to this problem is to readjust stylus pressure to a point not exceeding 8 grams until the condition is corrected.

CAUTION FOR SERVICEMEN

Any serviceman working with this chassis when it is out of the cabinet should take special care not to come in contact with any ground connections. When writing for Service Information and /or parts, please quote model and Serial Number as found on the license label. Always order parts by part number. Part numbers are positive identification which ensures fast service and avoids unnecessary delays.



00-560-02
Issue 2

COMPONENT VALUES :

RESISTORS : HALF WATT, UNLESS OTHERWISE NOTED

20% TOL. " "

K = 1000 OHMS

M = 1,000,000 OHMS

CONDENSERS : T = TUBULAR, FOLLOWED BY CAPACITY IN MFD. & D.C.W.V.

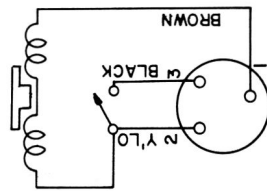
E = ELECTROLYTIC, " "

C = CERAMIC, " "

MMFD. & TOL. IF CRITICAL

NOTE : ALL VOLTAGES MEASURED TO CHASSIS WITH 20,000 OHM PER VOLT

METER AT 117 LINE VOLTAGE



PLUG VIEWED
FROM PIN END