

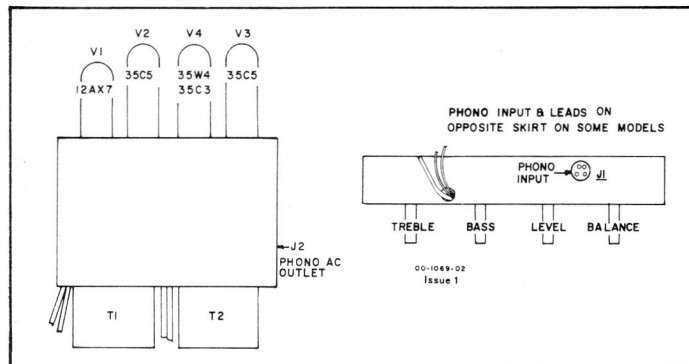
SERVICE INFORMATION AND PARTS LIST for the

**Model
PAPS-540
PAPS-540R**

VIKING Electric Phonograph

For Operation on 110 - 120 Volts A.C. Cycle as Marked.

SPECIFICATIONS Maximum Power Output.....3 Watts Power Consumption....38 Va.



SERVICE REPLACEMENT PARTS LIST PAPS-540, PAPS-540R

FINAL ASSEMBLY

Part No.	Description
12-25040-51	Portable Phono Case PAPS-540
12-25040-52	Portable Phono Case PAPS-540R
13-175-01	Motor Board
13-176-01	Bottom Cover
19-70014-01	Speaker 10" x 4" P.M. 8 ohm V.C.
53-624-15	Knobs
53-536-02	Viking Name Plate

R1	41-38-02	Control - Balance 5 megohm
R3,R6	41-166-01	Control - Dual - Volume 1 megohm
R12,R13	41-120-07	Control - Dual - Treble 500K. ohm.
R14,R15	41-121-06	Control - Dual - Bass 2 megohm
T1,T2	24-80015-02	Output Transformer 8 ohm V.C.

CHASSIS ASSEMBLY

Symbol	Part No.	Description
C15	44-74-01	Electrolytic - Triple 40,40,70 ufd. x 150V.
C16	44-40-04	Electrolytic - Single 50 ufd. x 25V.

CHANGER

Part No.	Description
16-90024-06	Garrard Autoslim changer 60 cycle
16-220002-03	Phono Motor - 25 cycle - Alliance (25 cycle models)
16-120050-02	Hub - 50 cycle (50 cycle models)
16-120047-01	45 R.P.M. record inserts
16-250017-09	Cartridge - Astatic 86TSB
16-120028-02	Replacement Stylus - LP/STEREO Astatic N8-3S
16-120028-04	Replacement Stylus Standard (78) Astatic N7-7S

Pickup Stylus Pressure

THE STYLUS PRESSURE MUST NOT EXCEED 8 GRAMS AND IT IS STRONGLY RECOMMENDED THAT A CHECK BE MADE OCCASIONALLY WITH A STYLUS PRESSURE GAUGE. ADJUST FOR 6-8 GRAMS PRESSURE. ADJUSTMENTS MAY BE MADE BY REPOSITIONING THE PICK-UP BALANCE SPRING (IN REAR OF TONE ARM) IN THE VARIOUS ADJUSTING HOLES PROVIDED UNTIL THE CORRECT PRESSURE IS OBTAINED. IF STYLUS PRESSURE IS SET LOW OR IF THE UNIT IS NOT LEVELLED IN ITS LOCATION, SKIPPING OF THE NEEDLE ACROSS THE RECORD GROOVES WILL OCCUR FROM ANY MOVEMENT OF THE CABINET OR CHANGER. THE SOLUTION TO THIS PROBLEM IS TO READJUST STYLUS PRESSURE TO A POINT NOT EXCEEDING 8 GRAMS UNTIL THE CONDITION IS CORRECT.

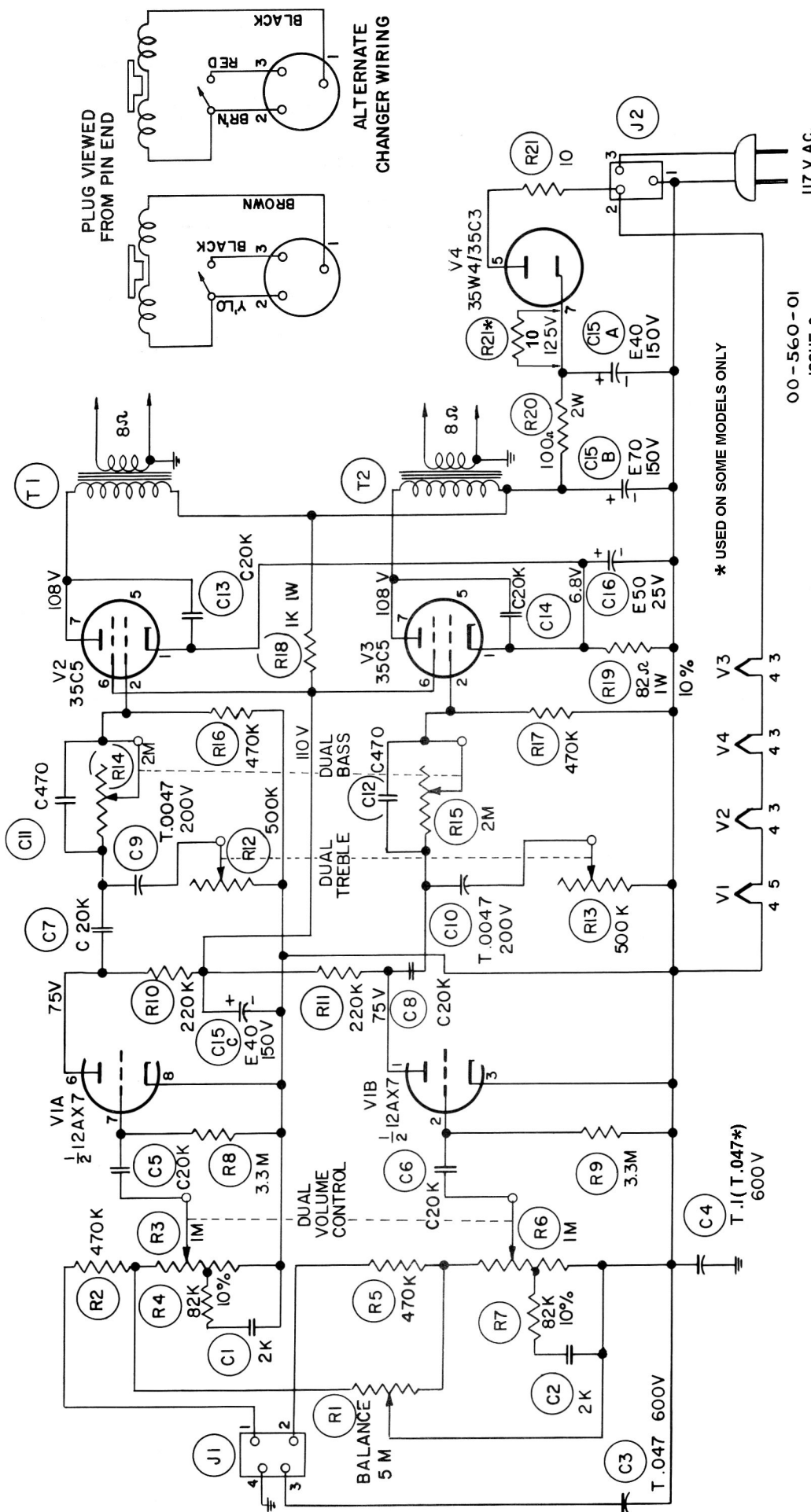
All information printed in this leaflet is up to date as of Oct. 22nd, 1962. Subsequent changes are covered by bulletin.

CAUTION FOR SERVICEMEN

Any serviceman working with this receiver when it is out of the cabinet should take special care not to come in contact with any ground connections.

When writing for Service Information and/or parts, please quote model and Serial Number as found on the license label. Always order service parts by part number. Part numbers are positive identification which ensures fast service and avoids unnecessary delays.

THE T. EATON CO. LIMITED
CANADA



00-560-01
ISSUE 3

* USED ON SOME MODELS ONLY

COMPONENT VALUES:
 RESISTORS: HALF WATT, UNLESS OTHERWISE NOTED
 20% TOL. " "
 K = 1000 OHMS " "
 M = 1,000,000 OHMS " "
 CONDENSERS: T = TUBULAR, FOLLOWED BY CAPACITY IN MFD & D.C.W.V.
 E = ELECTROLYTIC, " " " MMFD. & TOL. IF CRITICAL
 C = CERAMIC, " " " " "
 NOTE: ALL VOLTAGES MEASURED TO CHASSIS WITH 20,000 OHM PER VOLT
 METER AT 117 LINE VOLTAGE