

SERVICE INFORMATION AND PARTS LIST for the

MODELS
PAPS-468
PAPS-468R
PCS-458

VIKING ELECTRIC PHONOGRAPH

For operation on 110-120 Volts A.C. Cycle as marked.
SPECIFICATIONS- Maximum Power Output.....3Watts Power Consumption.....38Va.

SERVICE REPLACEMENT PARTS LIST

FINAL ASSEMBLY PAPS-468 & PAPS-468R

12-19361-51	Portable Phono Case Blue and White
12-19361-52	Portable Phono Case Charcoal and Light Grey
13-68-09	Motor Board
13-124-01	Curtain
19-70011-01	Speaker 6" x 9" P.M. with Whizzer 8 ohm VC
53-408-09	Knob
53-143-04	Trim Strip
PCS-458	
19-60003-01	Speaker 6" P.M. with Whizzer 6.4 ohm VC
53-255-01	Knob

CHANGER AND ACCESSORIES

16-90017-01	BSR UA10 Changer Assembly with BSR TC8S Cartridge 60 cycle (PCS-458, PAPS-468)
16-90017-05	BSR UA10 Changer 60 cycle (PAPS-468R)
16-120036-01	LP/Stereo Replacement Stylus BSR TC8RS (PCS-458, PAPS-468)
16-120028-04	LP/Stereo Replacement Stylus Astatic N7-7S (PAPS-468R)
16-120017-02	78 Replacement Stylus BSR TC8G (PCS-458, PAPS-468)
16-120028-02	78 Replacement Stylus Astatic N8-3S (PAPS-468R)
16-120046-01	50 Cycle Changer Drive Hub
16-220002-01	Phono Motor with Hub (25 cycle) (PCS-458, PAPS-468)
16-250013-01	Replacement Cartridge BSR TC8S (PCS-458, PAPS-468)
16-250017-09	Replacement Cartridge Astatic 86TSB (PAPS-468R)

CHASSIS

24-80032-03	Output Transformer 8 ohm VC
34-59-01	3 Prong AC Socket
34-138-08	Line Cord & Plug Assembly PCS-458
34-139-08	Line Cord & Plug Assembly PAPS-468
41-38-02	Balance Control
41-120-07	Treble Control
41-121-06	Bass Control
41-166-01	Level Control
44-40-04	Electrolytic - Single 50 ufd. x 25V
44-74-01	Electrolytic - 40,40,70 ufd. x 150V

PICKUP STYLUS PRESSURE

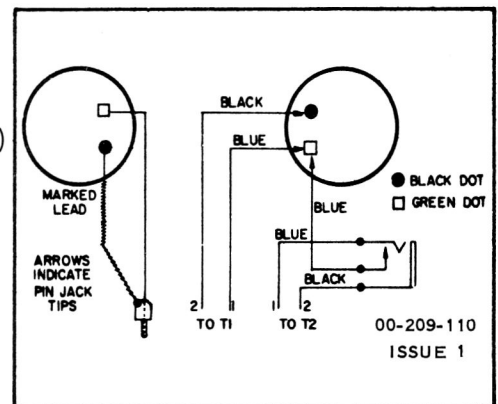
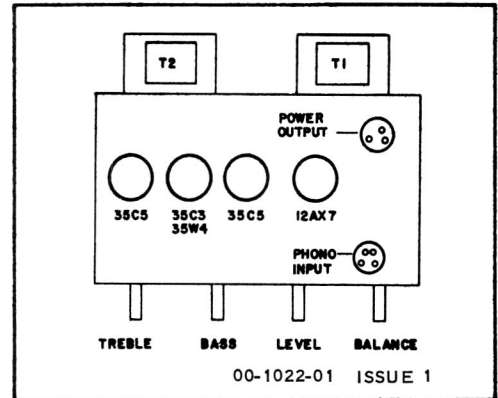
The stylus pressure must not exceed 8 grams and it is strongly recommended that a check be made occasionally with a stylus pressure gauge. Adjust for 6-8 grams pressure. Adjustments may be made by repositioning the pick-up balance spring (in rear of tone arm) in the various adjusting holes provided until the correct pressure is obtained. If stylus pressure is set low or if the unit is not levelled in its location, skipping of the needle across the record grooves will occur from any movement of the cabinet or changer. The solution to this problem is to readjust stylus pressure to a point not exceeding 8 grams until the condition is corrected.

All information printed in this leaflet is up to date as of January 13, 1961. Subsequent changes are covered by bulletin.

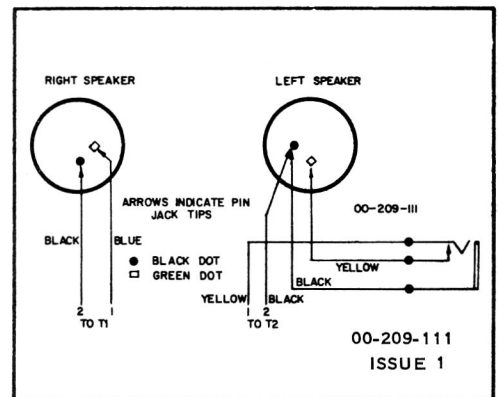
CAUTION FOR SERVICEMEN

Any serviceman working with this receiver when it is out of the cabinet should take special care not to come in contact with any ground connections.

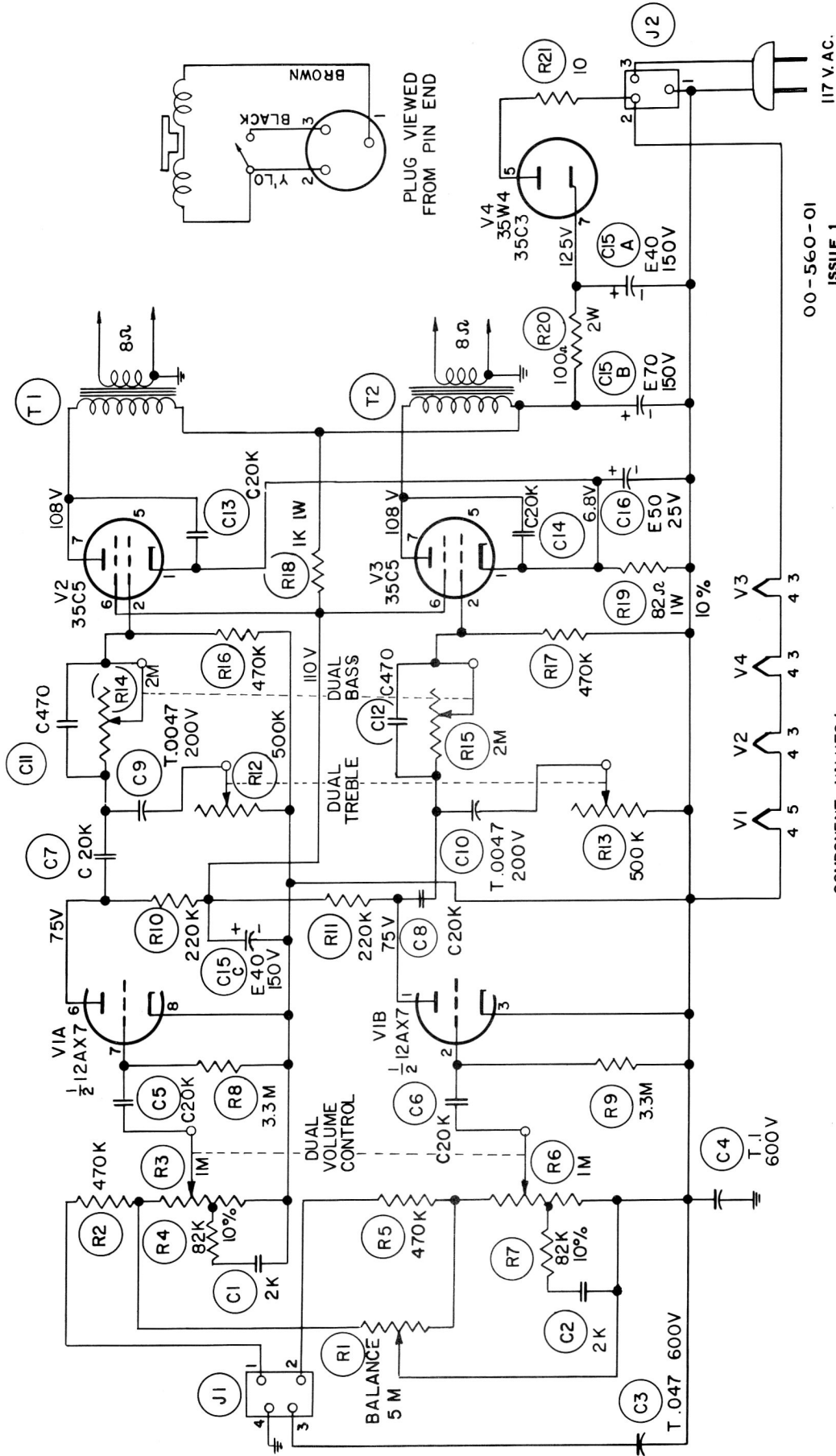
When writing for Service Information and/or parts, please quote model and Serial Number as found on the license label. Always order service parts by part number. Part numbers are positive identification which ensures fast service and avoids unnecessary delays.



PAPS-468 & PAPS-468R



PCS-458



COMPONENT VALUES :

RESISTORS : HALF WATT, UNLESS OTHERWISE NOTED

20% TOL., " "

K = 1000 OHMS

M = 1,000,000 OHMS

CONDENSERS: T = TUBULAR, FOLLOWED BY CAPACITY IN MFD & D.C.W.V.

E = ELECTROLYTIC, " "

C = CERAMIC, " "

" " MMFD. & TOL. IF CRITICAL

NOTE : ALL VOLTAGES MEASURED TO CHASSIS WITH 20,000 OHM PER VOLT

METER AT 117 LINE VOLTAGE