

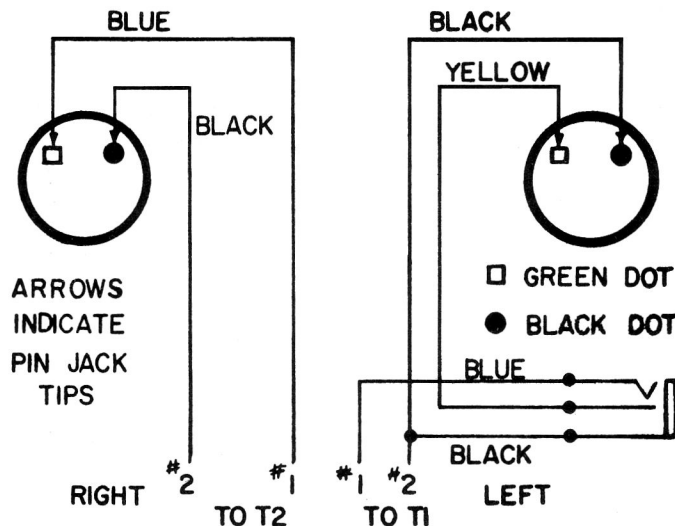
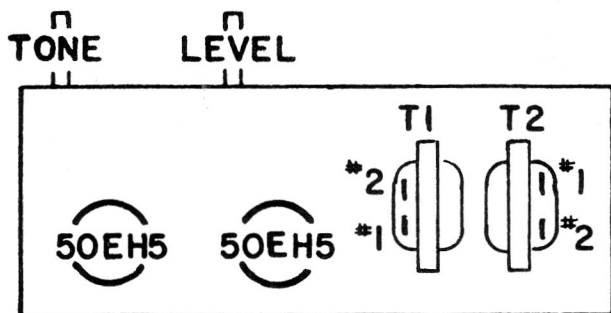
SERVICE INFORMATION AND PARTS LIST

PAPS-467
PAPS-467R

for the

VIKING ELECTRIC PHONOGRAPH

For Operation on 110-120 Volts A.C. Cycle as marked.



SPECIFICATIONS

Maximum Power Output 3 Watts
Power Consumption 46 Va.

00-209-92
ISSUE 1

SERVICE REPLACEMENT PARTS LIST - PAPS467, PAPS467R

FINAL ASSEMBLY

Part No.	Description
16-90017-03	BSR UA10 Changer Assembly 60 cycle PAPS467
16-90017-05	BSR UA10 Changer Assembly 60 cycle PAPS467R
16-250017-05	Astatic 76TSB Stereo Cartridge PAPS467R
16-220002-01	Phono Motor 25 cycle
16-250015-07	Acos GP73-5 Cartridge PAPS467
16-120040-04	Replacement Needle PAPS467
16-120028-02	78 Replacement Needle PAPS467R
16-120028-03	LP Replacement Needle PAPS467R
19-40003-01	Speaker - 4" PM 3.2 ohm VC
53-408-09	Knob

CHASSIS ASSEMBLY

Part No.	Description
24-80036-02	Output Transformer 4 ohm VC
28-13-01	Silicon Rectifier
42-1-52	Resistor Wire Wound
41-120-05	Dual Control - Tone
41-165-01	Dual Level - Without AC Switch
44-40-04	Electrolytic 50 ufd. x 25V
44-74-01	Electrolytic 40,40,70 x 150V

All information printed in this leaflet is up to date as of January 9, 1961. Subsequent changes are covered by bulletin.

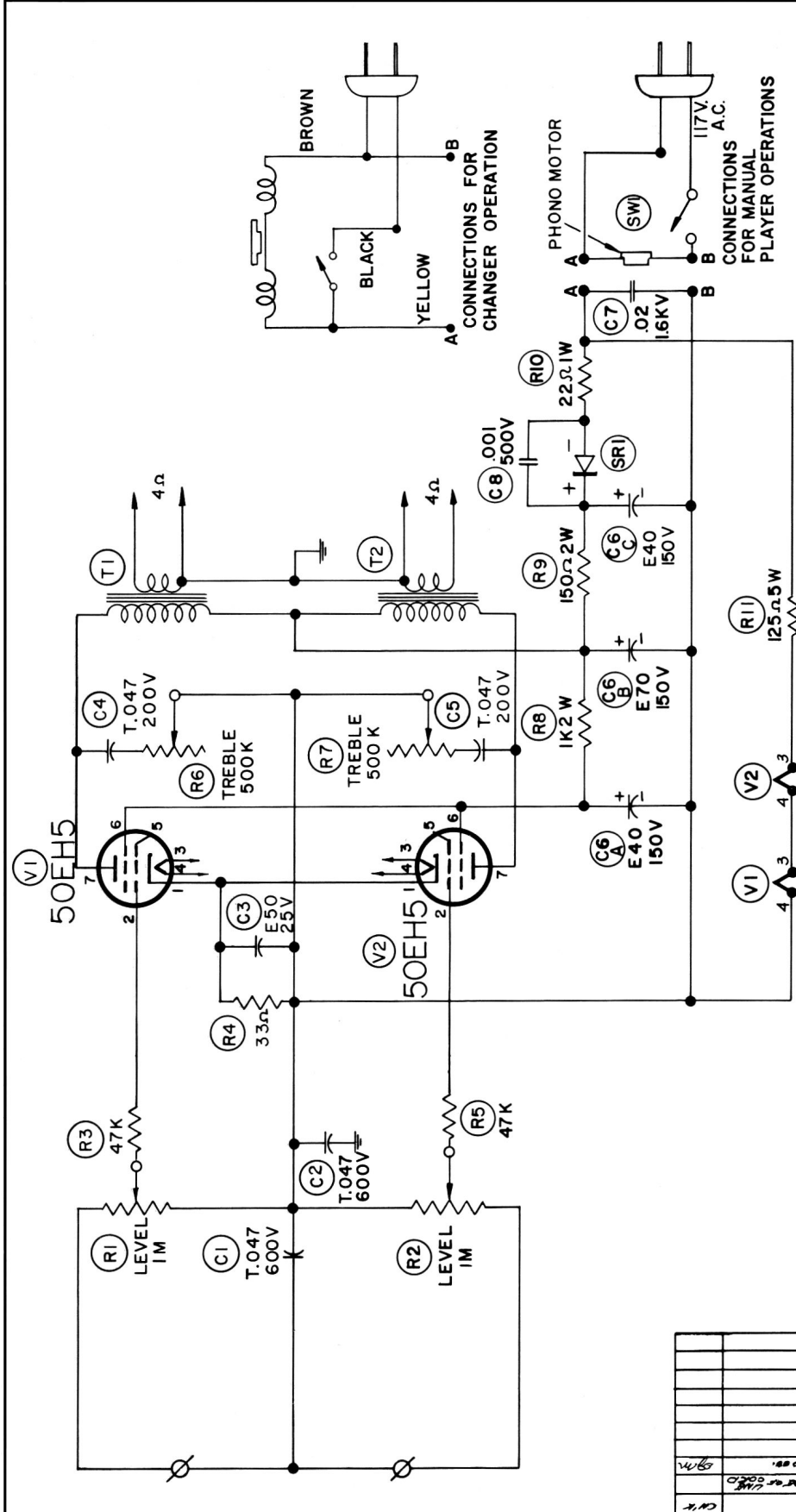
CAUTION FOR SERVICEMEN

Any serviceman working with this receiver when it is out of the cabinet should take special care not to come in contact with any ground connections.

When writing for Service Information and/or parts, please quote model and Serial Number as found on the license label. Always order service parts by part number. Part numbers are positive identification which ensures fast service and avoids unnecessary delays.

THE T. EATON CO. LIMITED
CANADA





00-541-01
ISSUE 3

COMPONENT VALUES

RESISTORS : 1/2 WATT UNLESS OTHERWISE NOTED
 20% TOL.
 K = 1,000
 M = 1,000,000

CONDENSERS: T = TUBULAR, FOLLOWED BY CAP. IN MFD. & D.C.W.V.
 E = ELECTROLYTIC, " " " " " "
 C = CERAMIC, FOLLOWED BY CAP. IN MMFD & TOL. IF CRITICAL.

DATE	BY	REVISION	DESCRIPTION
7-2-59	W. J. HARRIS	1	REVISED FOR MAN. ON AUTO. PLAYER. COMM. I. C. APPROV.
2-5-50	W. J. HARRIS	1	REVISIONS COMPLETED TO CORRECT FOR C.O.D.
4-20-48	W. J. HARRIS	1	REVISED FOR MAN. ON AUTO. PLAYER. COMM. I. C. APPROV.

TOLERANCE UNLESS OTHERWISE SPECIFIED	MODEL PART AND OR
FRACTIONS -	DECIMALS -
NAME <i>WIRING DIAGRAM</i>	4M 37-S
SCALE	DATE
1	7-2-59
DRAWN BY	CHECK APPROVED
W. J. HARRIS	W. J. HARRIS
ISSUE	PART NO.
1	00-541-01