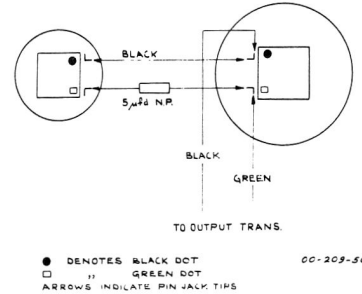
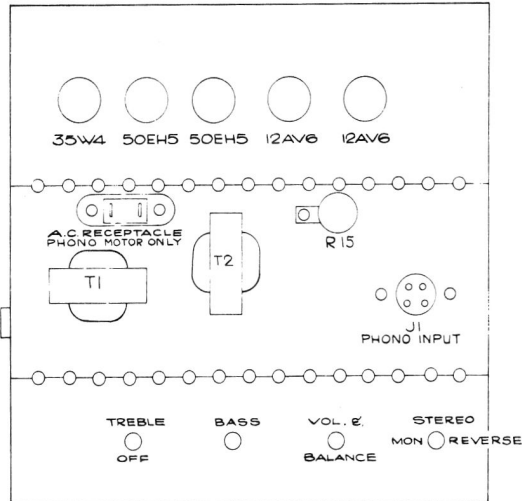


VIKING PORTABLE ELECTRIC PHONOGRAPH & MATCHING PORTABLE SPEAKER CABINET



SPECIFICATIONS – Peak Power Output..... 3 Watts
Power Consumption 59 Va.

SERVICE REPLACEMENT PARTS LIST

FINAL ASSEMBLY

12-17170-51	Portable Phono Cabinet
13-67-01	Curtain
13-68-01	Motor Board
19-30003-01	3½" PM Speaker 3.2 ohm.
19-70004-02	7" X 5" PM Speaker 3.2 ohm.
30-84-01	Control Panel
44-5-01	Electrolytic 5 ufd X 20 volt - Non Polarized
53-104-04	Trim Strip
53-102-03	Knob - 3 Used
53-318-02	Knob - Front
53-157-03	Knob - Rear
53-380-01	Viking Medallion
16-90010-05	BSR UA8 Changer
16-250013-01	BSR Stereo Cartridge
16-120017-02	78 rpm Saphire Needle 3 Mil
16-120036-01	LP Saphire Needle .7 mil

CHASSIS ASSEMBLY

24-80037-01	Output Transformer
-------------	--------------------

26-47-01	Selector Switch
41-122-02	Dual Control - Level-Balance
41-121-02	Dual Control - Bass-Tone
41-120-02	Dual Control - Treble-AC Switch
44-70-01	Electrolytic 25 ufd X 25 volt
44-61-01	Electrolytic - 40-40-40-30 ufd X 150 volt
44-74-01	Electrolytic - 40-70-30 ufd X 150 volt

VIKING MODEL ES-391

Companion Piece For PAPS-390

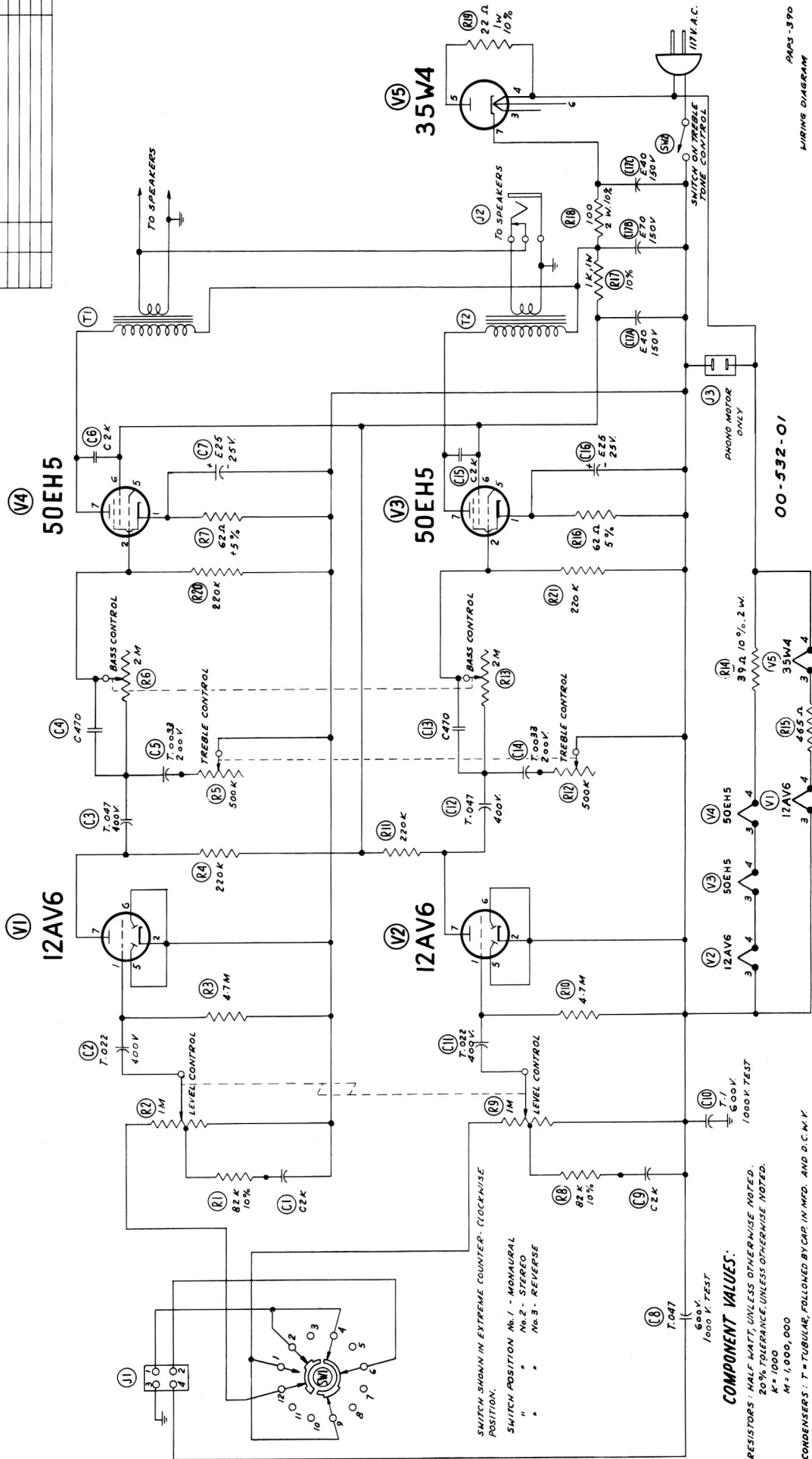
03-340041-01	Conecting Cable Assembly
12-17180-51	Portable Speaker Cabinet
13-65-01	Curtain
13-66-01	Divider
19-30003-01	3½" PM Speaker 3.2 ohm.
19-70004-02	7" X 5" PM Speaker 3.2 ohm.
44-5-01	Electrolytic 5 ufd 20 volt - Non Polarized
53-104-05	Trim Strip
53-380-01	Viking Ship Medallion

CAUTION FOR SERVICEMEN

Any serviceman working with this receiver when it is out of the cabinet should take special care not to come in contact with any ground connections.

When writing for Service Information and/or parts, please quote model and Serial Number as found on the license label. Always order service parts by part number. Part numbers are positive identification which ensures fast service and avoids unnecessary delays.

CN. No.	DATE	CHANGE
1	12-25-58	NOTE RE SWITCH POSITIONS ADDED



COMPONENT VALUES:

RESISTORS: HALF WATT, UNLESS OTHERWISE NOTED.
 20% TOLERANCE, UNLESS OTHERWISE NOTED.
 K = 1000
 M = 1,000,000

CONDENSERS: T = TUBULAR, FOLLOWED BY CAP. IN MFD. AND D.C.M.V.
 E = ELECTROLYTIC, FOLLOWED BY CAP. IN MFD. AND D.C.M.V.
 C = CERAMIC, FOLLOWED BY CAP. IN MMFD. AND TOL. IF CRITICAL.
 M = MICA, FOLLOWED BY CAP. IN MMFD. AND TOL. IF CRITICAL.

SWITCH SHOWN IN EXTREME COUNTER-CLOCKWISE POSITION.
 SWITCH POSITION No. 1 - MONAURAL
 " " " No. 2 - STEREO
 " " " No. 3 - REVERSE

00-532-01

APAS-390
 WIRING DIAGRAM