

# VIKING

## PORTABLE ELECTRIC PHONOGRAPH

**SPECIFICATIONS** - Maximum Power Output ..... 1.5 Watts  
 Power Consumption ..... .25 Amps  
 Tube ..... 25EH5

## SERVICE REPLACEMENT PARTS LIST

### FINAL ASSEMBLY

Part No.	Description
12-25460-53	Portable Phono Case - Seagreen and Turquoise
12-25460-54	Portable Phono Case - Sahara and Tan
13-191-05	Motor Board
13-210-02	Curtain
16-90027-15	VM Automatic Changer - 60 cycle
16-80001-11	VM Automatic Changer - 50 cycle (50 cycle models only)
16-250029-03	Astatic 142 Cartridge
16-120064-01	Replacement Styli N60
19-50009-04	Speaker 5" PM 4 ohm VC
53-748-05	Knob - Volume
53-748-06	Knob - Tone
53-874-01	Name plate

### CHASSIS ASSEMBLY

Symbol	Part No.	Description
R2	41-215-04	Control - Tone - 25K
R1	41-215-11	Control - Volume - 1 meg.
T1	24-80046-01	Audio Output Transformer
SR1	28-1-02	Selenium Rectifier - 65 ma
C2	44-81-01	Electrolytic - 80, 30 ufd 150V

All information printed in this leaflet is up to date as of September 1965. Subsequent changes are covered by bulletin.

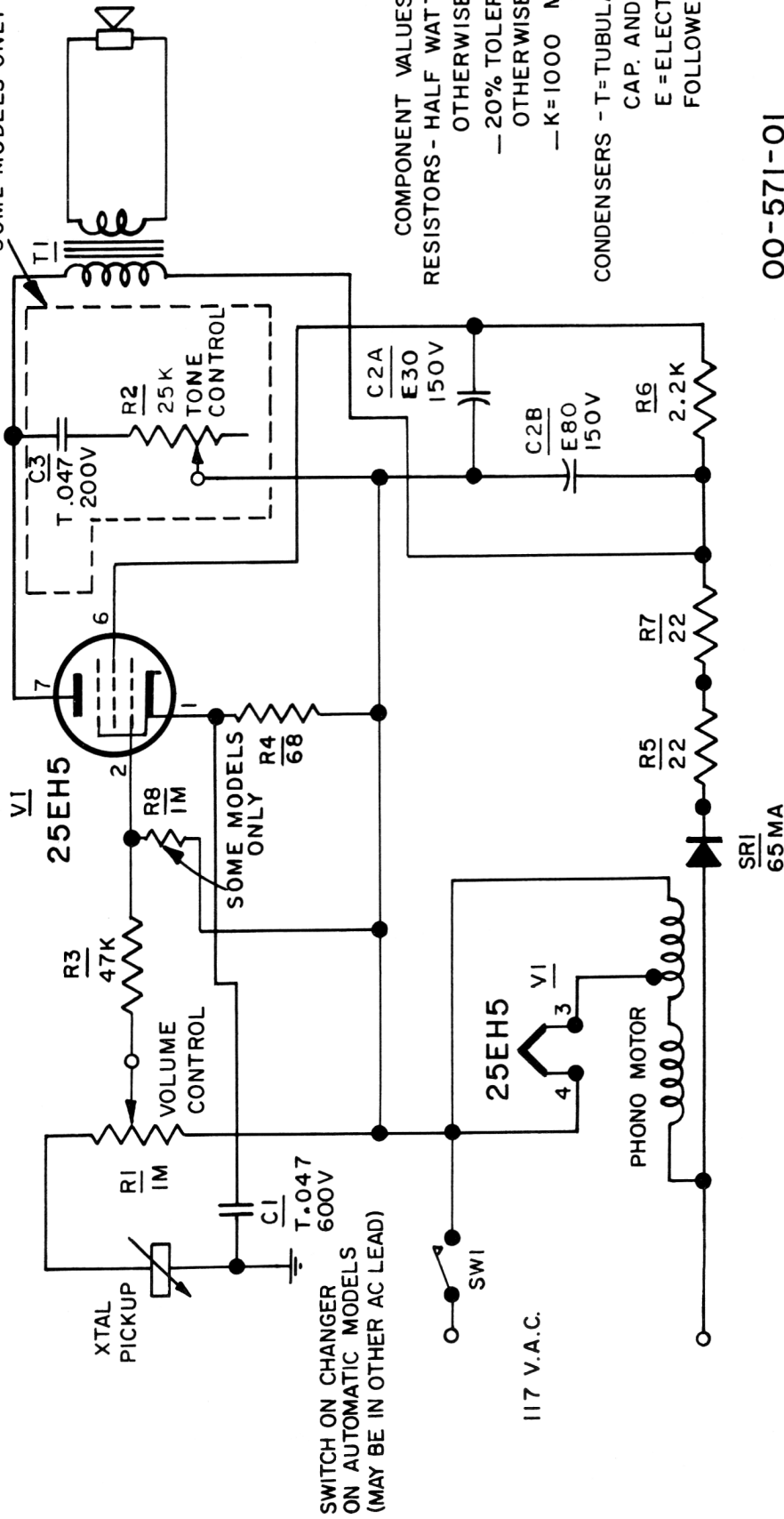
### CAUTION FOR SERVICEMEN

Any serviceman working with the chassis when it is out of the cabinet should take special care not to come in contact with any ground connections.  
 When writing for Service Information and/or parts, please quote model and Serial Number as found on the license label. Always order service parts by part number. Part numbers are positive identification which ensures fast service and correct replacement. When ordering installation items please quote cabinet colour

# EATON'S OF CANADA



SOME MODELS ONLY



SWITCH ON CHANGER ON AUTOMATIC MODELS (MAY BE IN OTHER AC LEAD)

COMPONENT VALUES

RESISTORS - HALF WATT, UNLESS OTHERWISE NOTED

- 20% TOLERANCE UNLESS OTHERWISE NOTED.

- K=1000 M=1,000,000

CONDENSERS - T=TUBULAR, FOLLOWED BY CAP. AND D.C.W.V.

E=ELECTROLYTIC, FOLLOWED BY CAP. & D.C.W.V.

00-571-01  
Issue 6