

SERVICE INFORMATION AND PARTS LIST

for the

VIKING PORTABLE ELECTRIC PHONOGRAPH

PAP 673
PAP 674

SPECIFICATIONS - Maximum Power Output 1.5 Watts
Power Consumption25 Amps
Tube 25EH5

SERVICE REPLACEMENT PARTS LIST PAP 673, PAP 674

FINAL ASSEMBLY

Part No.	Description
12-25330-51	Portable Phono Case - Brown & White (PAP 674)
12-25340-51	Portable Phono Case - Green & White (PAP 673)
12-25340-52	Portable Phono Case - Gold & White (PAP 673)
13-191-04	Motor Board (PAP 673)
13-210-01	Curtain (PAP 673)
13-206-05	Motor Board (PAP 674)
16-90027-07	VM Automatic Changer - 60 cycle
16-100014-03	VM Automatic Changer - 25 cycle (25 cycle models only)
16-80001-03	VM Automatic Changer - 50 cycle (50 cycle models only)
16-250024-01	Astatic 120 Cartridge
16-120028-01	LP Replacement Stylus - Astatic N8-1S
16-120028-02	78 Replacement Stylus - Astatic N8-3S
19-50009-04	Speaker 5" PM 4 ohm VC (PAP 673)
19-70008-05	Speaker 4 x 6" PM 4 ohm VC (PAP 674)
53-624-32	Knob - Volume (except green & white PAP 673)
53-624-33	Knob - Tone (except green & white PAP 673)
53-624-34	Knob - Volume (green & white PAP 673)
53-624-35	Knob - Tone (green & white PAP 673)
53-767-01	Name plate (except green & white PAP 673)
53-767-02	Name plate (green & white PAP 673)

CHASSIS ASSEMBLY

Symbol	Part No.	Description
R2	41-215-04	Control - Tone - 25K
R1	41-215-11	Control - Volume - 1 meg.
T1	24-80046-01	Audio Output Transformer
SR1	28-1-02	Selenium Rectifier - 65 ma
C2	44-81-01	Electrolytic - 80, 30 ufd 150V

All information printed in this leaflet is up to date as of March 15, 1964. Subsequent changes are covered by bulletin.

CAUTION FOR SERVICEMEN

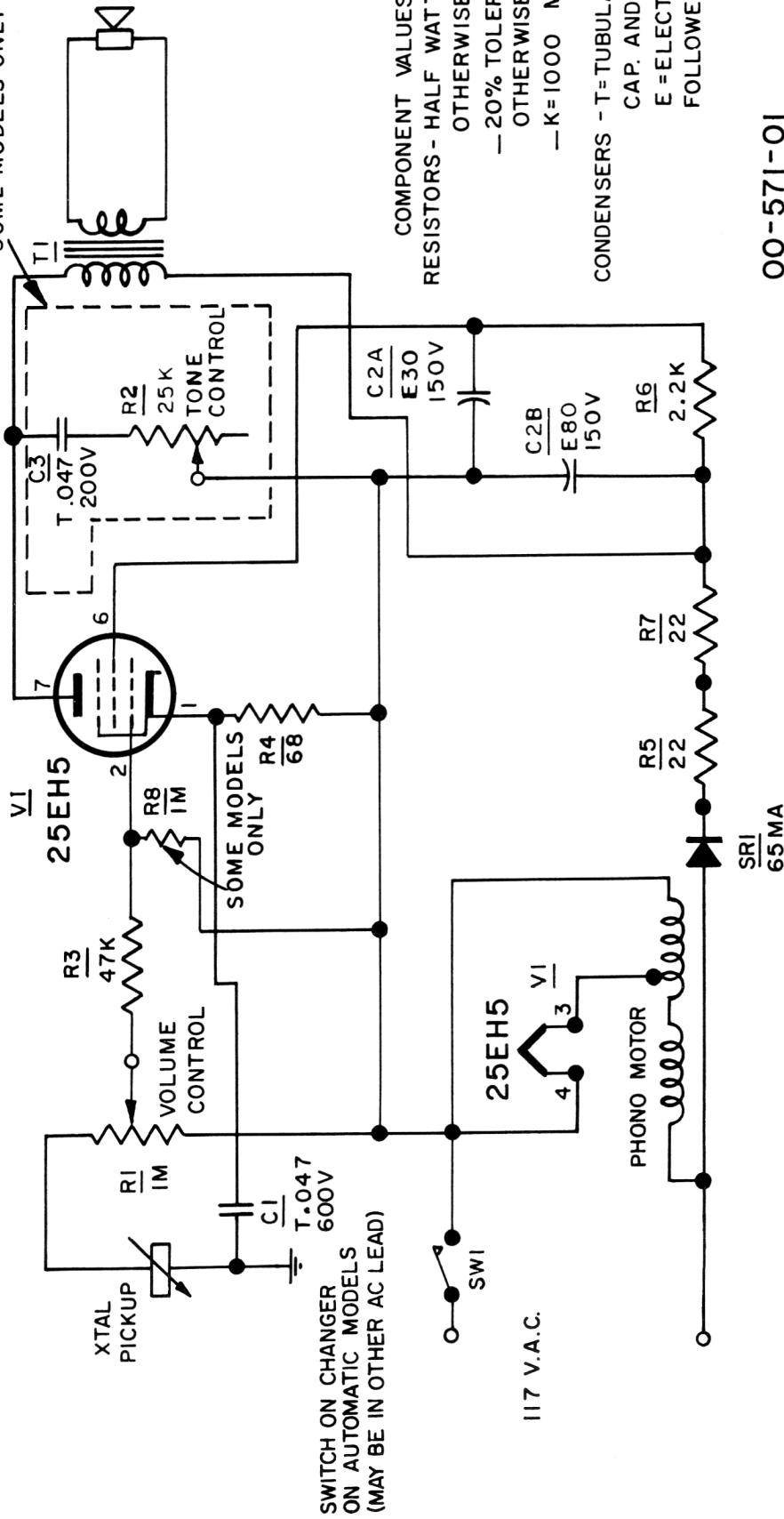
Any serviceman working with the chassis when it is out of the cabinet should take special care not to come in contact with any ground connections.

When writing for Service Information and/or parts, please quote model and Serial Number as found on the license label. Always order service parts by part number. Part numbers are positive identification which ensures fast service and avoids unnecessary delays. When ordering installation items please quote cabinet colour.

EATON'S OF CANADA



SOME MODELS ONLY



SWITCH ON CHANGER ON AUTOMATIC MODELS (MAY BE IN OTHER AC LEAD)

COMPONENT VALUES

- RESISTORS - HALF WATT, UNLESS OTHERWISE NOTED
- 20% TOLERANCE UNLESS OTHERWISE NOTED.
- K=1000 M=1,000,000

CONDENSERS - T=TUBULAR, FOLLOWED BY CAP. AND D.C.W.V.
 E=ELECTROLYTIC, FOLLOWED BY CAP. & D.C.W.V.

00-571-01
 Issue 6