

SERVICE INFORMATION AND PARTS LIST  
for the

PAP 644

VIKING ELECTRIC PHONOGRAPH

SPECIFICATIONS - Maximum Power Output..... 1.5 Watts  
Power Consumption ..... .25 Amps  
Tube...25EH5

SERVICE REPLACEMENT PARTS LIST PAP 644

FINAL ASSEMBLY

Part No.	Description
12-25131-51	Portable Phono Case - Black and White
12-25131-52	Portable Phono Case - Terra Cotta and White
13-191-02	Motor Board
13-192-01	Curtain
19-50003-05	Speaker - 5" P.M. 3.2 ohm V.C.
53-624-19	Knob - Volume
53-624-20	Knob - Tone

CHASSIS ASSEMBLY

Symbol	Part No.	Description
C2	44-81-01	Electrolytic - Dual - 80, 30 ufd. x 150V
R1	41-31-07	Control - Volume - 1 megohm
R2	41-15-01	Control - Tone - 25K ohm
SR1	28-1-02	Selenium Rectifier - 65 ma.
T1	24-80046-01	Output Transformer - 4 ohm V.C.
	42-14-05	Resistor - W.W. 540 ohm 20W (25 cycle models only)

CHANGER ASSEMBLY

Part No.	Description
16-100014-01	VM Changer (25 cycle models only)
16-80001-01	VM Changer (50 cycle models only)
16-90027-01	VM Changer (60 cycle models only)
16-250024-01	Replacement Cartridge - Astatic 120
16-120028-01	LP Replacement Stylus - Astatic N8-1S
16-120028-02	78 Replacement Stylus - Astatic N8-3S

All information printed in this leaflet is up to date as of June 7, 1963. Subsequent changes are covered by bulletin.

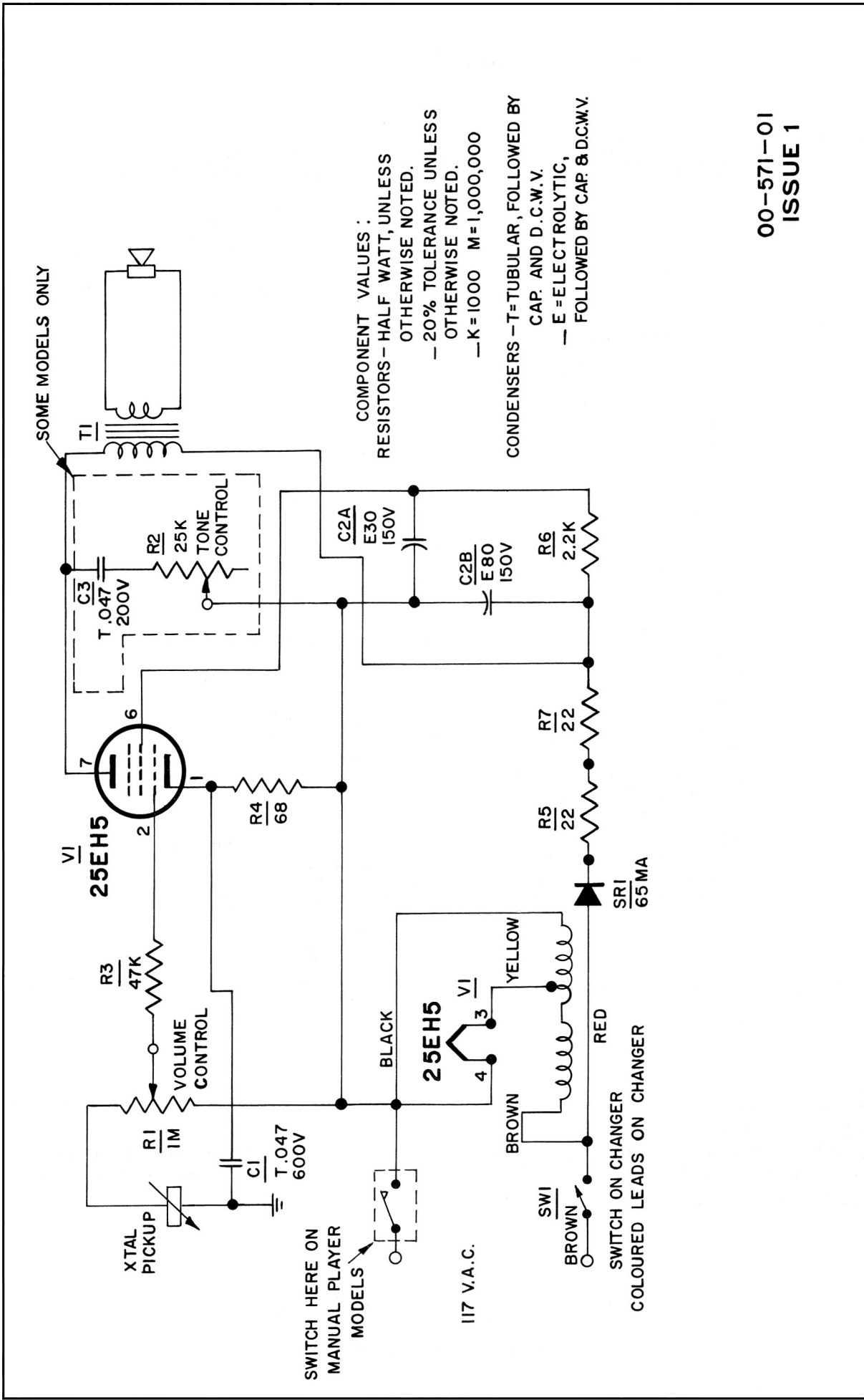
CAUTION FOR SERVICEMEN

Any serviceman working with the chassis when it is out of the cabinet should take special care not to come in contact with any ground connections.

When writing for Service Information and/or parts, please quote model and Serial Number as found on the license label. Always order service parts by part number. Part numbers are positive identification which ensures fast service and avoids unnecessary delays.

EATON'S OF CANADA





00-571-01  
 ISSUE 1