

SERVICE INFORMATION AND PARTS LIST

for the

PAP-538
PAP-538R

VIKING ELECTRIC PHONOGRAPH

SPECIFICATIONS - Maximum Power Output..... 1.5 Watts
 Power Consumption30 VA.
 Tube...25EH5 (50 & 60 cycle models),
 50EH5 (25 cycle models)

SERVICE REPLACEMENT PARTS LIST - PAP-538, PAP-538R

FINAL ASSEMBLY

Part No.	Description
12-25010-51 PAP-538] - Portable Phono Case - Rust and Gold
12-25010-53 PAP-538R	
12-25010-52 PAP-538] - Portable Phono Case - Charcoal and Grey
12-25010-54 PAP-538R	
13-116-03	Motor Board
13-145-02	Curtain
19-50003-05	Speaker 5" P.M. 3.2 ohm V.C.
53-624-07] Knob - Volume - Rust and Gold Case
53-624-08	
53-624-05] Knob - Volume - Charcoal and Grey Case
53-624-06	

NOTE: FOR A MATCHING KNOB SET PAP-538 ORDER 1 Volume and 1 Tone control knob for case colour as shown.

CHASSIS ASSEMBLY

Symbol	Part No.	Description
C2	44-81-01	Electrolytic - Dual - 80, 30 ufd. x 150V.
R1	41-31-07	Control - Volume - 1 megohm
R2	41-15-01	Control - Tone - 25K ohm
SR1	28-1-02	Selenium Rectifier - 65 ma.
T1	24-80046-01	Output Transformer - 4 ohm V.C.
	42-14-05	Resistor - W.W. 540 ohm 20W. (25 cycle models only)

CHANGER ASSEMBLY

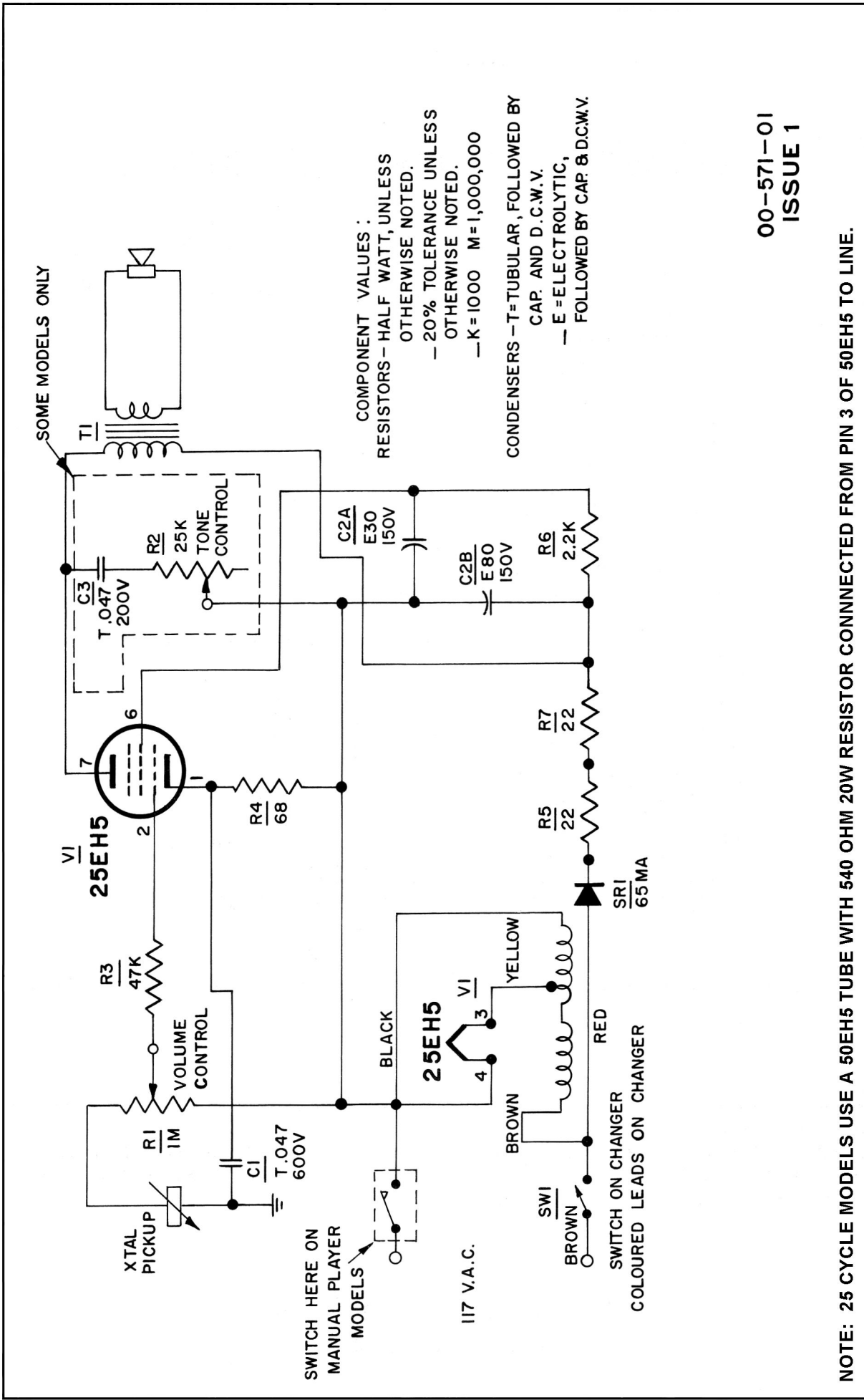
Part No.	Description
16-90019-01	BSRUA14 Changer 60 cycle
16-120045-02	50 cycle rotor assembly
16-220002-02	25 cycle motor assembly
16-250004-02	BSR TC8H/2 Replacement cartridge
16-120017-01	LP Replacement Stylus - BSR TC8R
16-120017-02	Standard (78) Replacement Stylus - BSR TC8G

All information printed in this leaflet is up-to-date as of Oct. 23rd 1962. Subsequent changes are covered by bulletin.

CAUTION FOR SERVICEMEN

Any serviceman working with the chassis when it is out of the cabinet should take special care not to come in contact with any ground connections.
 When writing for Service Information and/or parts, please quote model and Serial Number as found on the license label.
 Always order service parts by part number. Part numbers are positive identification which ensures fast service and avoids unnecessary delays.

THE T. EATON CO LIMITED
C A N A D A



00-571-01
ISSUE 1