

# SERVICE INFORMATION AND PARTS LIST

PAP-511

for the

# VIKING ELECTRIC PHONOGRAPH

SPECIFICATIONS - Maximum Power Output..... 1.5 Watts  
Power Consumption.....30 VA.

## SERVICE REPLACEMENT PARTS LIST PAP511

### FINAL ASSEMBLY

Part Number	Description
12-19980-51	Portable Phono Case - Charcoal
12-19980-52	Portable Phono Case - Blue
13-133-01	Motor Board
13-145-01	Curtain
19-40003-01	Speaker 4" PM 3.2 ohm VC
53-408-11	Knob - Black
53-497-01	Viking Trim Strip

### CHASSIS ASSEMBLY

Symbol	Part Number	Description
	34-139-08	Line Cord & Plug Assembly 8' Ivory
R2	41-15-01	Control - Tone 25K
R1	41-31-07	Control - Volume
T1	24-80046-01	Output Transformer 4 ohm VC
SR1	28-1-02	Selenium Rectifier 65 ma.
C2	44-81-01	Electrolytic - Dual - 80, 30 ufd.x 150V

### CHANGER ASSEMBLY

Part Number	Description
16-90019-01	BSR UA14 Changer with TC8H/2 Cartridge and Mtg.
16-250004-02	BSR TC8H/2 Replacement Cartridge
16-120017-01	LP Replacement Stylus Type BSR TC8R
16-120017-02	Standard Replacement Stylus Type BSR TC8G

All information printed in this leaflet is up-to-date as of May 31 1961. Subsequent changes are covered by bulletin.

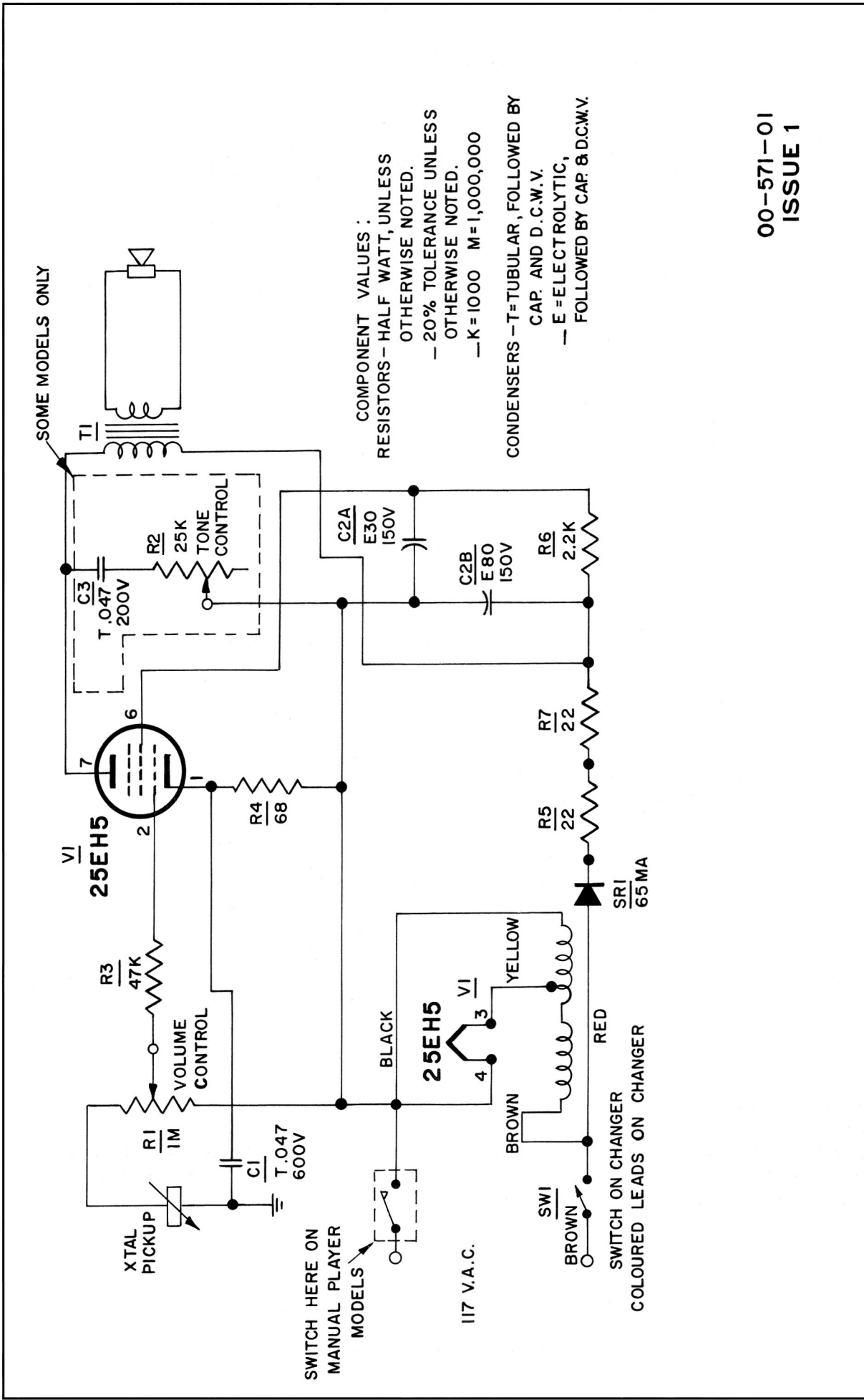
### CAUTION FOR SERVICEMEN

Any serviceman working with the chassis when it is out of the cabinet should take special care not to come in contact with any ground connections.

When writing for Service Information and/or parts, please quote model and Serial Number as found on the license label. Always order service parts by part number. Part numbers are positive identification which ensures fast service and avoids unnecessary delays.

**THE T. EATON CO. LIMITED**  
**C A N A D A**





SOME MODELS ONLY

COMPONENT VALUES :  
 RESISTORS - HALF WATT, UNLESS OTHERWISE NOTED.  
 - 20% TOLERANCE UNLESS OTHERWISE NOTED.  
 - K = 1000 M = 1,000,000

CONDENSERS - T = TUBULAR, FOLLOWED BY CAP AND D.C.W.V.  
 - E = ELECTROLYTIC, FOLLOWED BY CAP & D.C.W.V.

00-571-01  
 ISSUE 1

SWITCH HERE ON  
 MANUAL PLAYER  
 MODELS

117 V.A.C.

SWITCH ON CHANGER  
 COLOURED LEADS ON CHANGER

V1  
 25EH5

25EH5

SRI  
 65 MA

XTAL  
 PICKUP

VOLUME  
 CONTROL

C1  
 T.047  
 600V

R4  
 68

BLACK

6

C2A  
 E30  
 150V

C2B  
 E80  
 150V

R5  
 22

R6  
 2.2K

R7  
 22

R8  
 2.2K

C3  
 T.047  
 200V

R2  
 25K

25K  
 TONE  
 CONTROL

T1

1

2

3

4

5

6

7

8

9

10

11

12

13

14

15

16

17

18

19

20

21

22

23

24

25

26

27

28

29

30

31

32

33

34

35

36

37

38

39

40

41

42

43

44

45

46

47

48

49

50

51

52

53

54

55

56

57

58

59

60

61

62

63

64

65

66

67

68

69

70

71

72

73

74

75

76

77

78

79

80

81

82

83

84

85

86

87

88

89

90

91

92

93

94

95

96

97

98

99

100