

# SERVICE INFORMATION AND PARTS LIST

PAP-466  
PAP-466R

*for the*

## VIKING ELECTRIC PHONOGRAPH

SPECIFICATIONS - Maximum Power Output..... 1.5 Watts  
Power Consumption..... 30 VA.

### SERVICE REPLACEMENT PARTS LIST

#### Final Assembly

PART NO.	DESCRIPTION
16-90019-01	BSR UA14 Changer
16-250004-02	BSR TC8H Cartridge
16-120017-01	Replacement L.P. Stylus
16-120017-02	Replacement 78 Stylus
19-40003-01	Speaker 4" P.M. 3.2 ohm
53-40-22	Knob

#### Chassis Assembly

24-80036-02	Output Transformer 3.2 ohm
28-1-02	Selenium Rectifier 65MA
41-15-01	Tone Control
41-31-07	Volume Control
44-6-10	Electrolytic 10 ufd. x 25V, 80 & 30 ufd. x 150V

All information printed in this leaflet is up-to-date as of August 30, 1960.

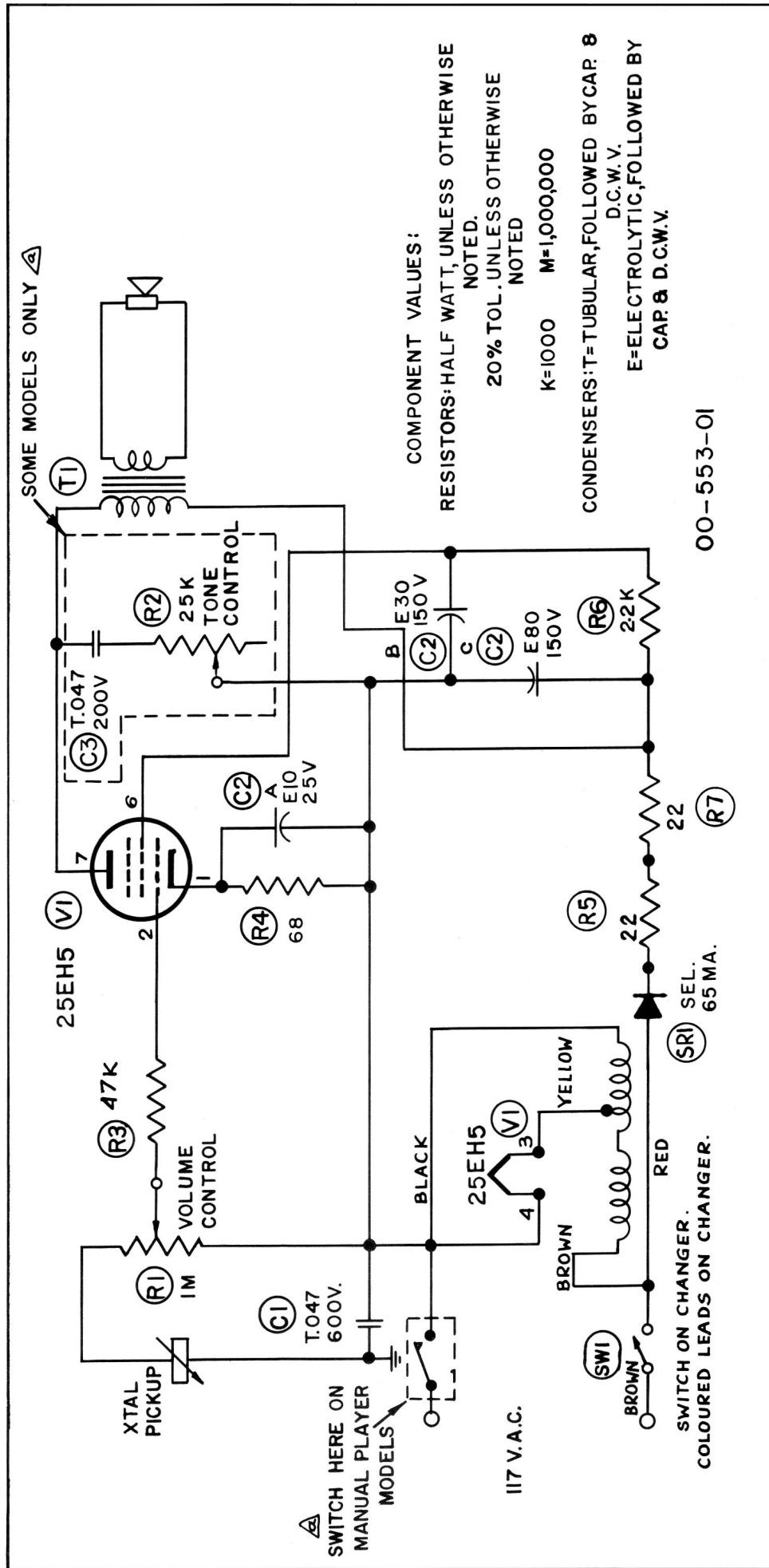
Subsequent changes are covered by bulletin.

### CAUTION FOR SERVICEMEN

Any serviceman working with the chassis when it is out of the cabinet should take special care not to come in contact with any ground connections.

**When writing for Service Information and/or parts, please quote model and Serial Number as found on the license label. Always order service parts by part number. Part numbers are positive identification which ensures fast service and avoids unnecessary delays.**

**THE T. EATON CO. LIMITED**  
**C A N A D A**



SOME MODELS ONLY

SWITCH HERE ON MANUAL PLAYER MODELS

COMPONENT VALUES:

RESISTORS: HALF WATT, UNLESS OTHERWISE NOTED.

20% TOL. UNLESS OTHERWISE NOTED

K=1000 M=1,000,000

CONDENSERS: T=TUBULAR, FOLLOWED BY CAP. & D.C.W.V.

E=ELECTROLYTIC, FOLLOWED BY CAP. & D.C.W.V.

00-553-01

117 V.A.C.