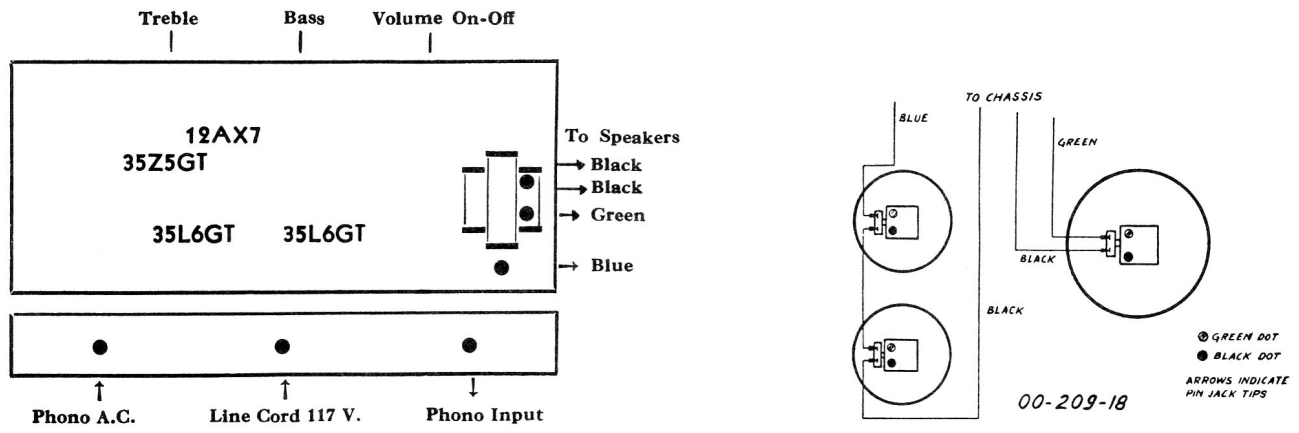


# VIKING SERVICE INFORMATION AND PARTS LIST

for **MODELS**



## Second Channel 4 Tube AC-DC Type Amplifier And Speaker System

for Operation on 105-125 Volts AC Cycle as marked

**CAUTION FOR SERVICEMEN**

Any serviceman working with this unit when it is out of the cabinet should take special care not to come in contact with any ground connections.

When writing for Service Information and/or parts, please quote model and Serial Number  
Always order service parts by part number. Part numbers are positive identification which ensures fast service and avoids unnecessary delays.

**SPECIFICATIONS**

Power Output - Undistorted	1.5 Watts
Maximum	2.0 Watts
Frequency Response	50 to 10,000 C.P.S.
Power Consumption	80 VA

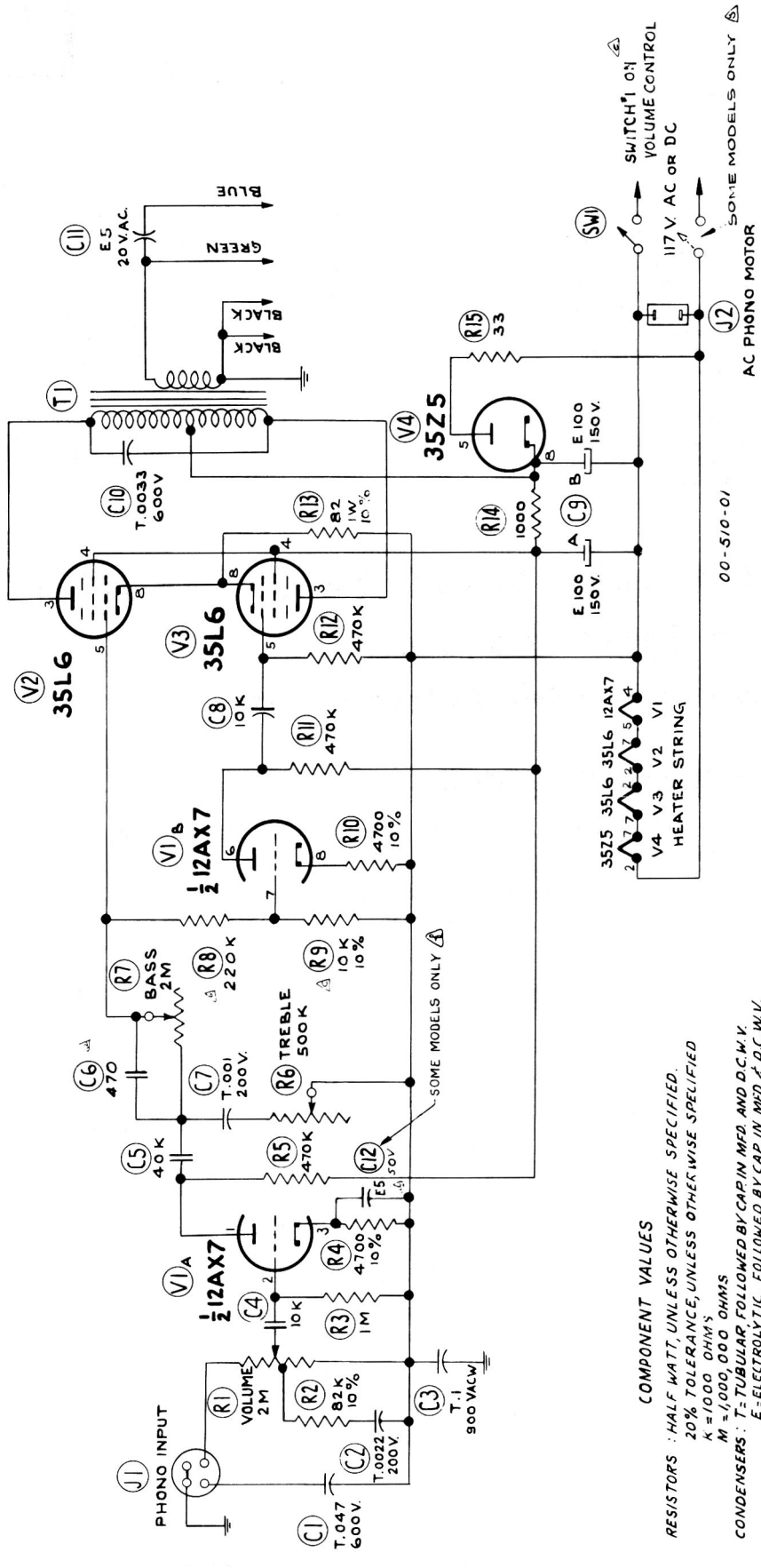
**4 TUBE SECOND CHANNEL AMPLIFIER CHASSIS**

- 24-80020-01 ..... Output Transformer
- 34-138-12 ..... Line Cord & Plug - 12 Feet
- 35-198-01 ..... Heat Deflector
- 41-72-03 ..... Volume Control with Switch
- 41-73-01 ..... Treble Control
- 41-74-01 ..... Bass Control
- 44-5-01 ..... Electrolytic 5 ufd 20 volt
- 44-38-01 ..... Dual Electrolytic 100-100 ufd X 150 volt
- 44-11-01 ..... Electrolytic 5 ufd X 50 volt

**SERVICE REPLACEMENT PARTS LIST**

**FINAL ASSEMBLY**

- 19-30001-02 ..... 3" PM Speaker - 2 used
- 19-80002-01 ..... 8" PM Speaker
- 34-82-01 ..... Triplex Receptacle
- 53-116-03 ..... Push-on Knob - 3 used



**COMPONENT VALUES**

RESISTORS : HALF WATT, UNLESS OTHERWISE SPECIFIED.  
 20% TOLERANCE, UNLESS OTHERWISE SPECIFIED.  
 K = 1,000 OHMS  
 M = 1,000,000 OHMS

CONDENSERS : T = TUBULAR FOLLOWED BY CAP. MFD. AND D.C. V.  
 E = ELECTROLYTIC, FOLLOWED BY CAP. IN MFD. & D.C. M.V.

CN. NO	DATE	CHANGE	SYMB	CHK
57-1071	9-30-57	REVISION 250V CAP IN TAP OF T1 AND B+ CAP IN V2		
57-1072	11-25-57	NOTE ADDED		
58-909	10-8-58	SWITCH FOR ALTERNATED NOTE ADDED		

NOTE : (C7) Changed to T .003 200V