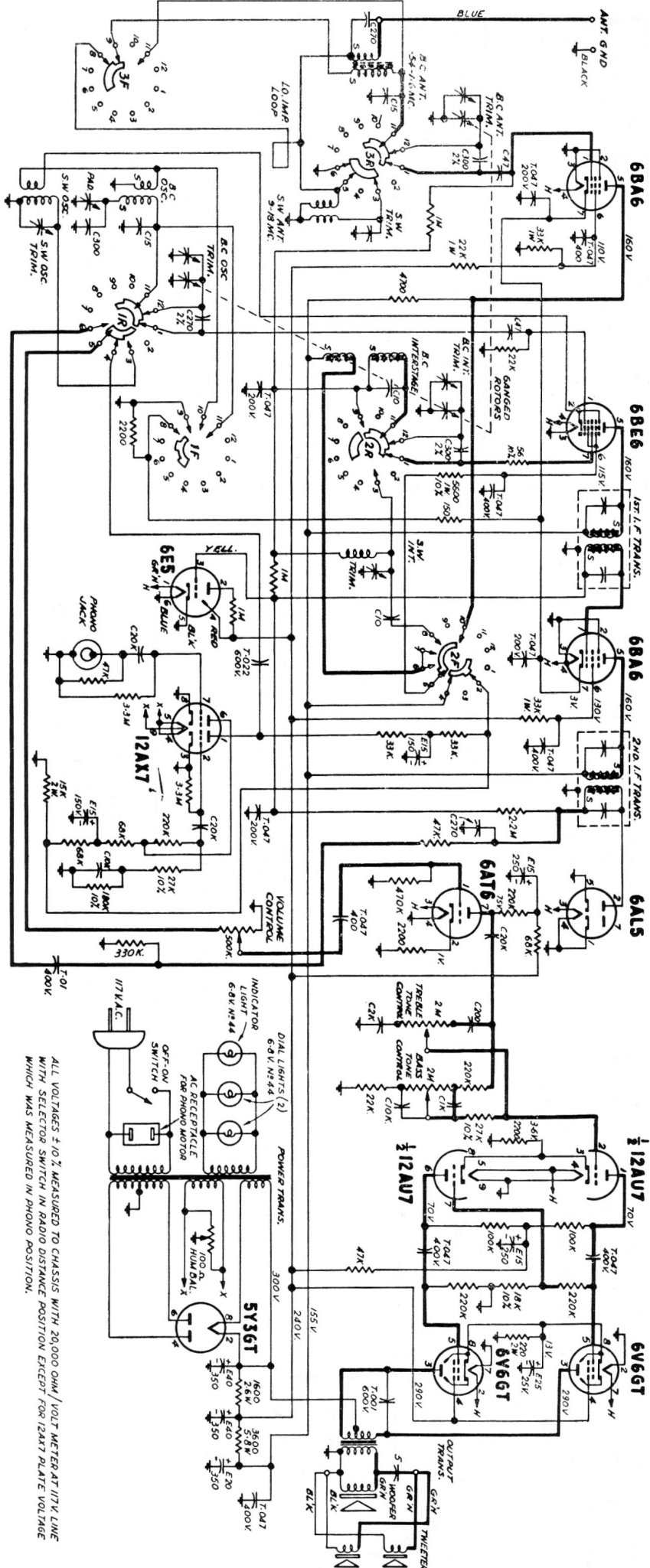


VIKING 55-145



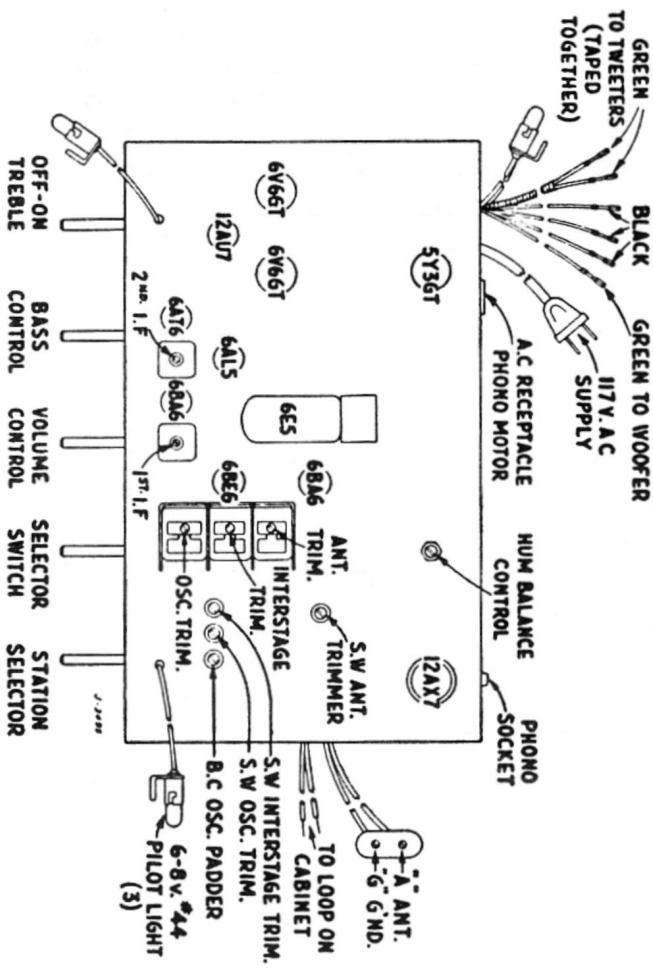
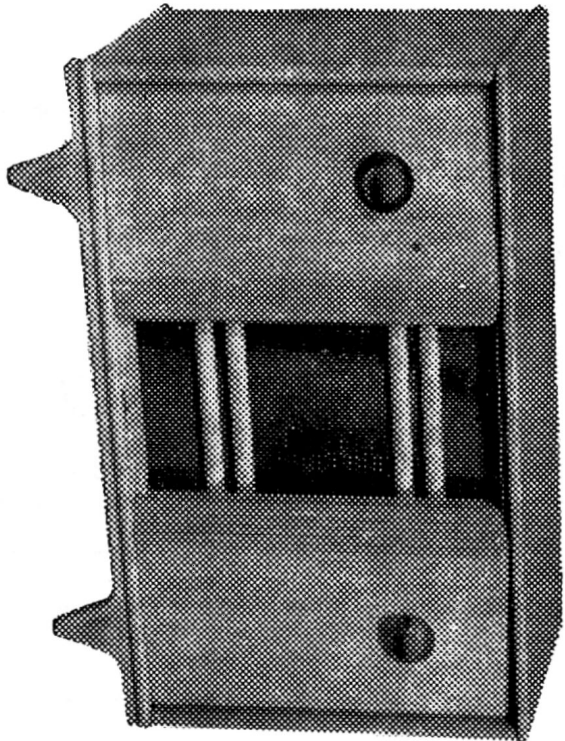
J-3496

COMPONENT VALUES
 RESISTORS: HALF WATT UNLESS OTHERWISE NOTED
 20% TOLERANCE UNLESS OTHERWISE NOTED
 K = 1,000 OHMS
 M = 1,000,000 OHMS
 CONDENSERS: T = TUBULAR, FOLLOWED BY CAP. IN MFD AND D.C.W.V.
 E = ELECTROLYTIC, FOLLOWED BY CAP. IN MFD AND D.C.W.V.
 C = CERAMIC, FOLLOWED BY CAP. IN MFD AND TOL. IF CRITICAL
 SELECTOR SWITCH SHOWN IN PHONO POSITION.

| | |
|---|--------------------|
| Standard Broadcast Range | 535 Kc. - 1650 Kc. |
| Short Wave Range | 9.0 Mc. - 18.0 Mc. |
| Intermediate Frequency | 455 Kc. |
| Power Consumption (Radio Only) | 85 Watts |
| Power Consumption (Radio & Phono) | 100 Watts |
| Undistorted Output | 7 Watts |
| Maximum Output | 13 Watts |

ALL VOLTAGES ± 10% MEASURED TO CHASSIS WITH 20,000 OHM/VOLT METER AT 117K LINE WITH SELECTOR SWITCH IN RADIO POSITION EXCEPT FOR 12AX7 PLATE VOLTAGE WHICH WAS MEASURED IN PHONO POSITION.

Model 55-145



ALIGNMENT AND SENSITIVITY
(TONE CONTROLS IN FLAT POSITION)
SIGNAL GENERATOR MODULATED 30% AT 400 CY.

| APPLY SIGNAL AT K.C. | THRU SERIES DUMMY | SET GANG AT | ADJUST FOR MAX. OUTPUT | NOMINAL SENSITIVITY FOR 500 MW. OUTPUT |
|----------------------|---------------------|---------------|---------------------------------------|--|
| 455 | 6BA6 I.F. No. 1 PIN | .05 μ Fd. | 2ND. I.F. IRON CORES | 4000 μ V. |
| 455 | 6BE6 No. 7 PIN | .05 μ Fd. | MIN. CAP. 1ST. AND 2ND. I.F. | 100 |
| 1460 | ANT. | 400 Ω | 1/460 K.C. B.C. ANT. INT. OSC. TRIM. | 4 |
| 600 | ANT. | 400 Ω | 600 K.C. B.C. OSC. PADDER | 12 |
| 16 M.C. | ANT. | 400 Ω | 16 M.C. S.W. OSC. INT. AND ANT. TRIM. | 60 |
| 10 M.C. | ANT. | 400 Ω | 10 M.C. CHECK POINT | 20 |

HUM BALANCER

A Hum Balancer has been incorporated in this receiver to balance out hum which may be present because of the high gain and wide frequency response of the audio portion of the receiver. It may be necessary to re-adjust the hum balancer for minimum hum reproduction when the 12AX7 tube is replaced. Set the tone controls in their extreme right hand positions, turn the selector switch to phono position, the volume control full on and adjust the hum balancer for minimum hum level.

