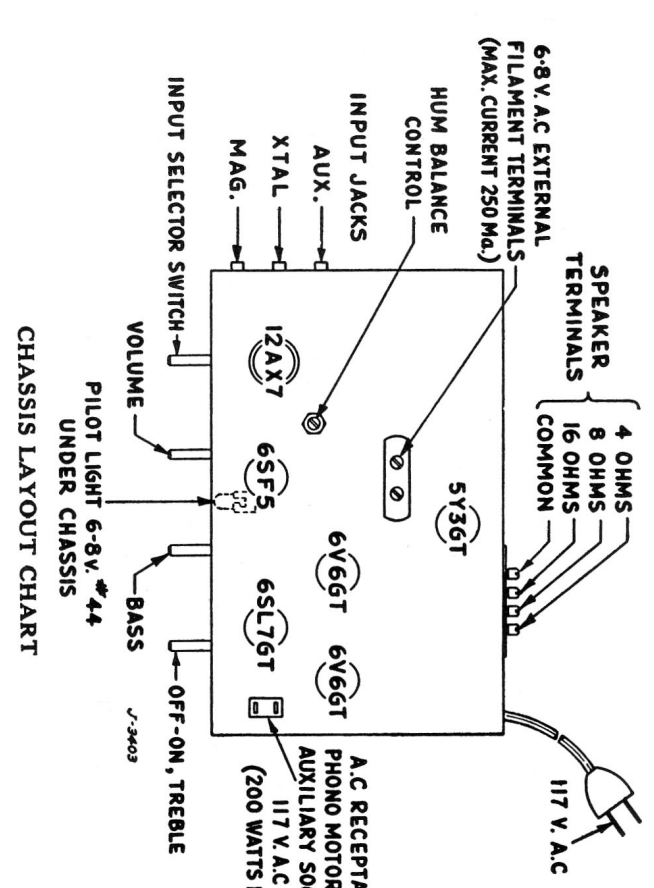
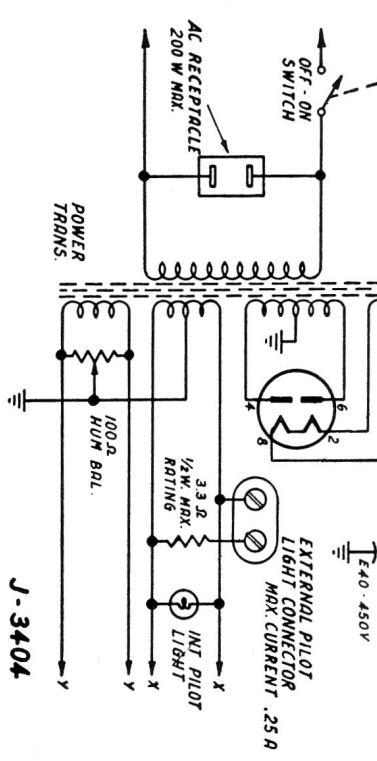


SWITCH SHOWN IN EXTREME C-C WISE POSITION.  
 SWITCH POSITIONS: 6E MAGNETIC, PICKERING MAGNETIC,  
 CRYSTAL, AUXILIARY.  
 EXTERNAL PILOT LIGHT CONNECTOR MAX. CURRENT .25 A



CHASSIS LAYOUT CHART

# VIKING 54-68 ELECTROHOME PA200, CONCORD, CONCORD A



J-3404