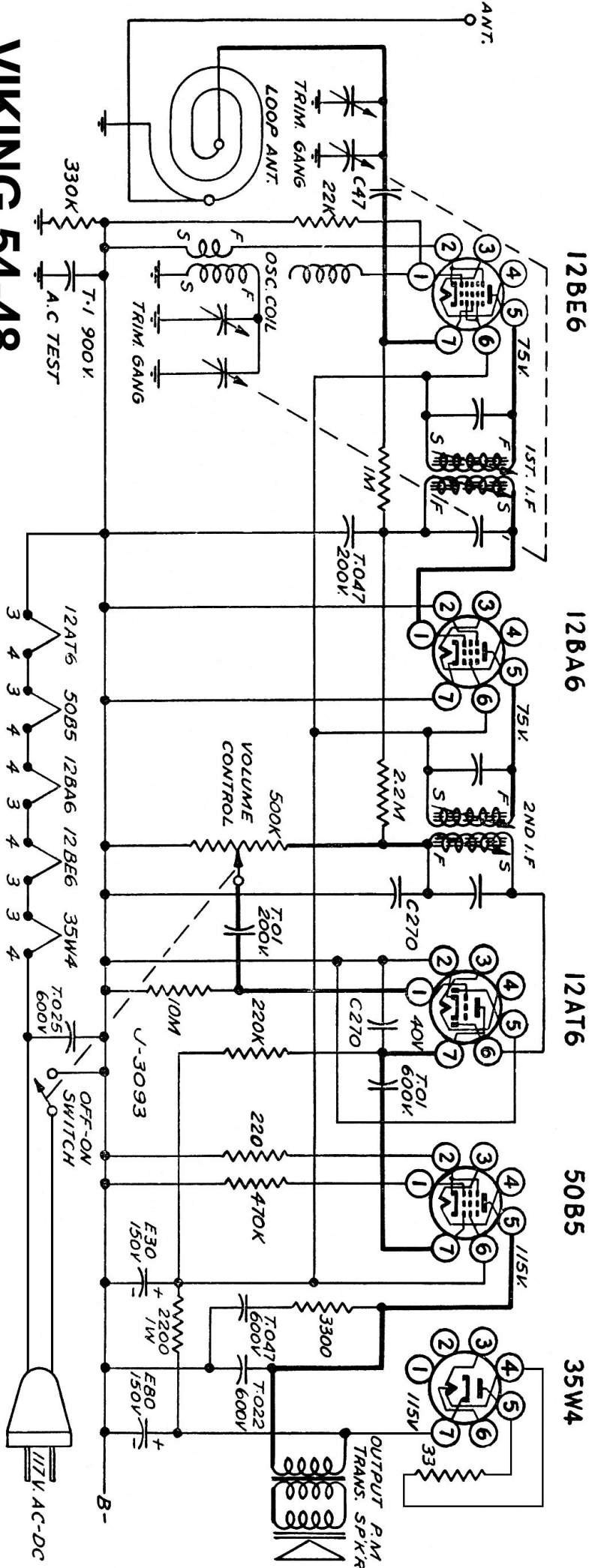


VIKING 54-48



ALIGNMENT AND SENSITIVITY

STEP	APPLY SIGNAL AT KC.	SIGNAL TO	THRU SERIES DUMMY	SET GANG AT	ADJUST FOR MAX. OUTPUT	NOMINAL SENSITIVITY 50 MILLIWATTS OUTPUT
1	455	12BAG 1PIN	.05	MINIMUM CAPACITY	2ND. I.F	2600 μ V.
2	455	12BE6 7PIN	.05	MINIMUM CAPACITY	1ST. I.F 2ND. I.F	60 μ V.
3	1640	ANT.	*	MINIMUM CAPACITY	OSC. TRIM.	—
4	1450	ANT.	*	RESONANCE	ANT. TRIM.	180 μ V/M.
5	600	ANT.	*	RESONANCE	CHECK ONLY	160 μ V/M.
6	530	ANT.	*	MAXIMUM CAPACITY	CHECK ONLY	—

* FASHION LOOP OF SEVERAL TURNS OF WIRE
AND RADIATE SIGNAL INTO LOOP OF RECEIVER.
ADJUST FOR MAXIMUM OUTPUT.

VIKING 54-48