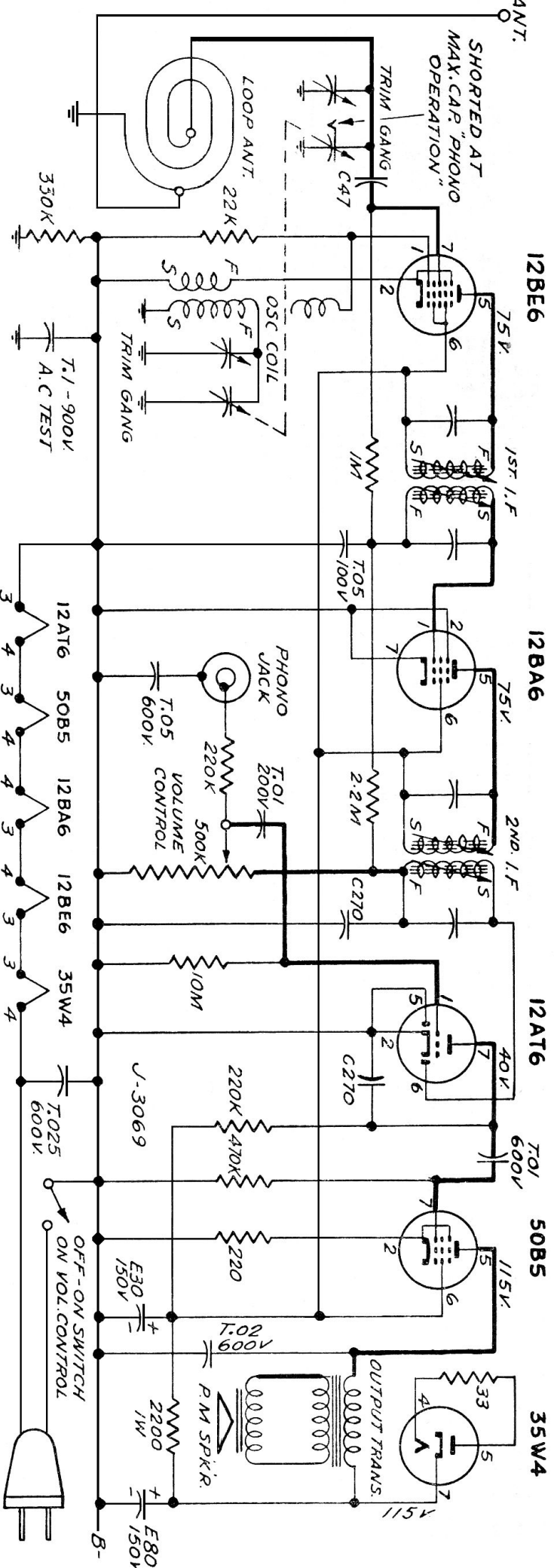


VIKING 52-36A

10 UFD. 25V. ELECTROLYTIC ADDED TO 50B5 CATHODE (PIN NO. 2 TO B-)



ALIGNMENT AND SENSITIVITY

STEP	APPLY SIGNAL AT KC	TO	THRU SERIES DUMMY	SET GANG AT	ADJUST FOR MAX. OUTPUT	NOMINAL SENSITIVITY 50 MILLIWATTS OUTPUT
1	455	12BA6 1 PIN	.05	MINIMUM CAPACITY	2ND. I.F	2000
2	455	12BE6 7 PIN	.05	MINIMUM CAPACITY	1ST. I.F 2ND I.F	100
3	1460	ANT.	*	RESONANCE	OSC. TRIM. ANT. TRIM.	1600 μ V/M.
4	600	ANT.	*	RESONANCE	CHECK ONLY.	2400 μ V/M

VIKING 52-36A

